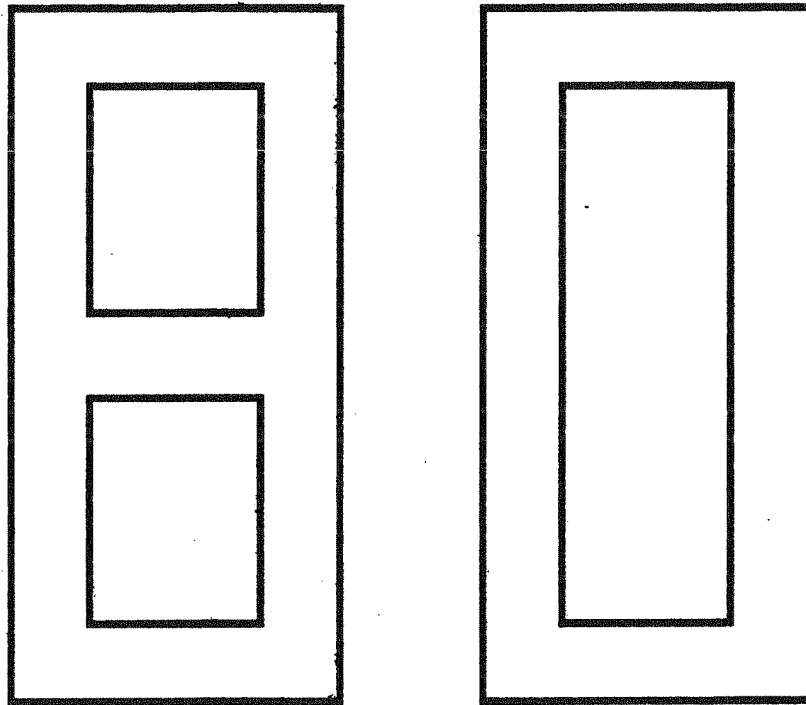
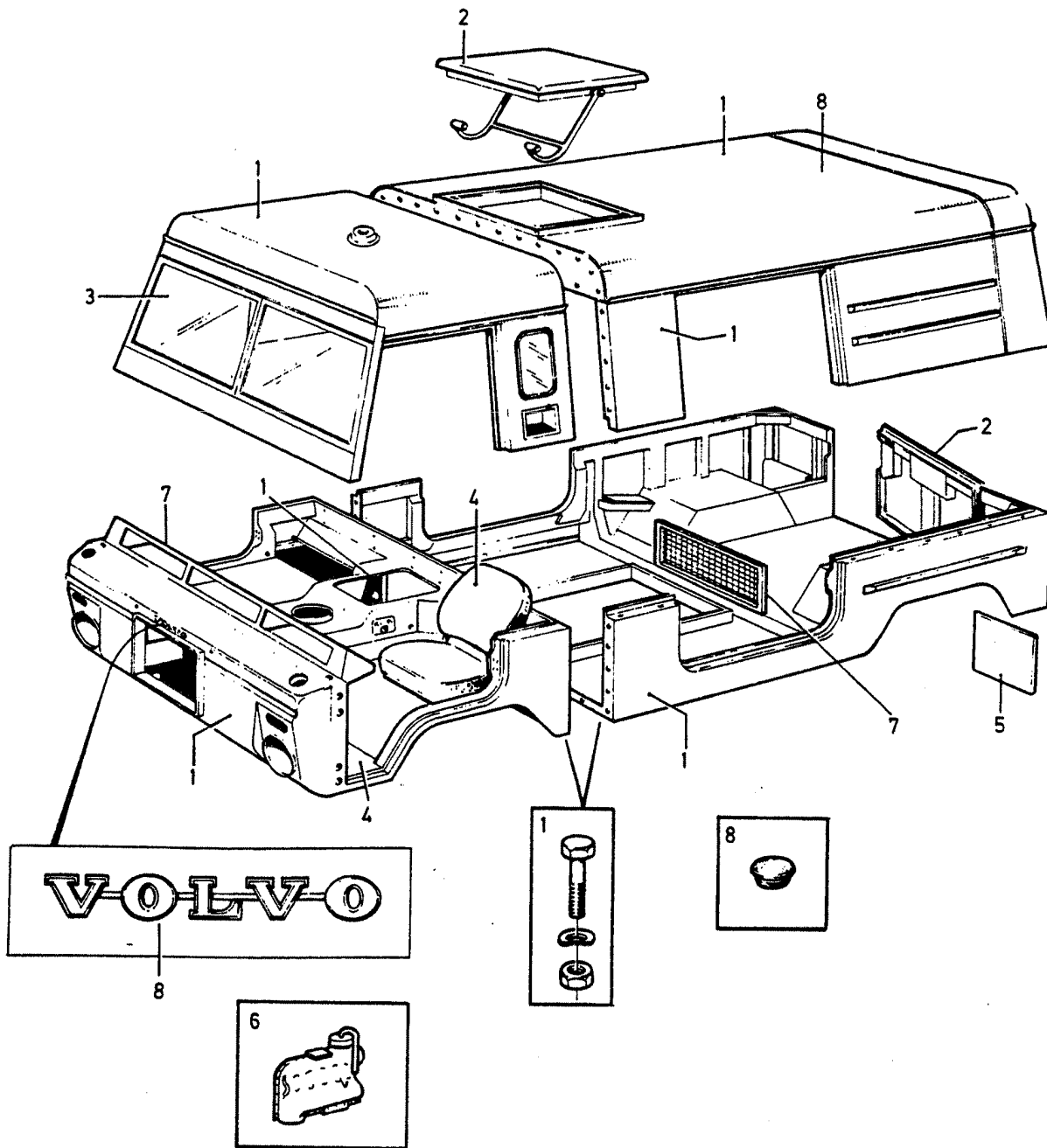


**HYTT, INREDNING / CAB, INTERIOR**



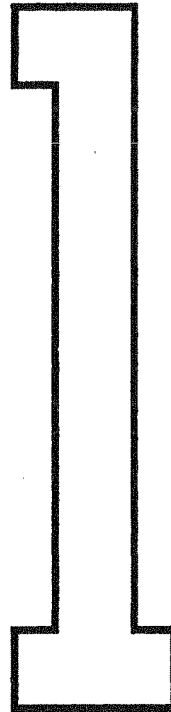
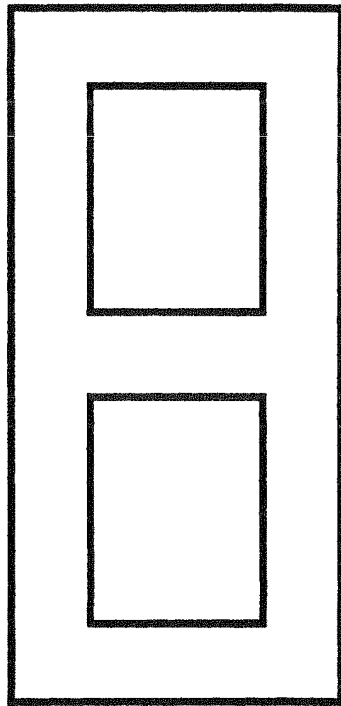


**VOLVO**  
 Genuine Parts  
 LV 800 53199

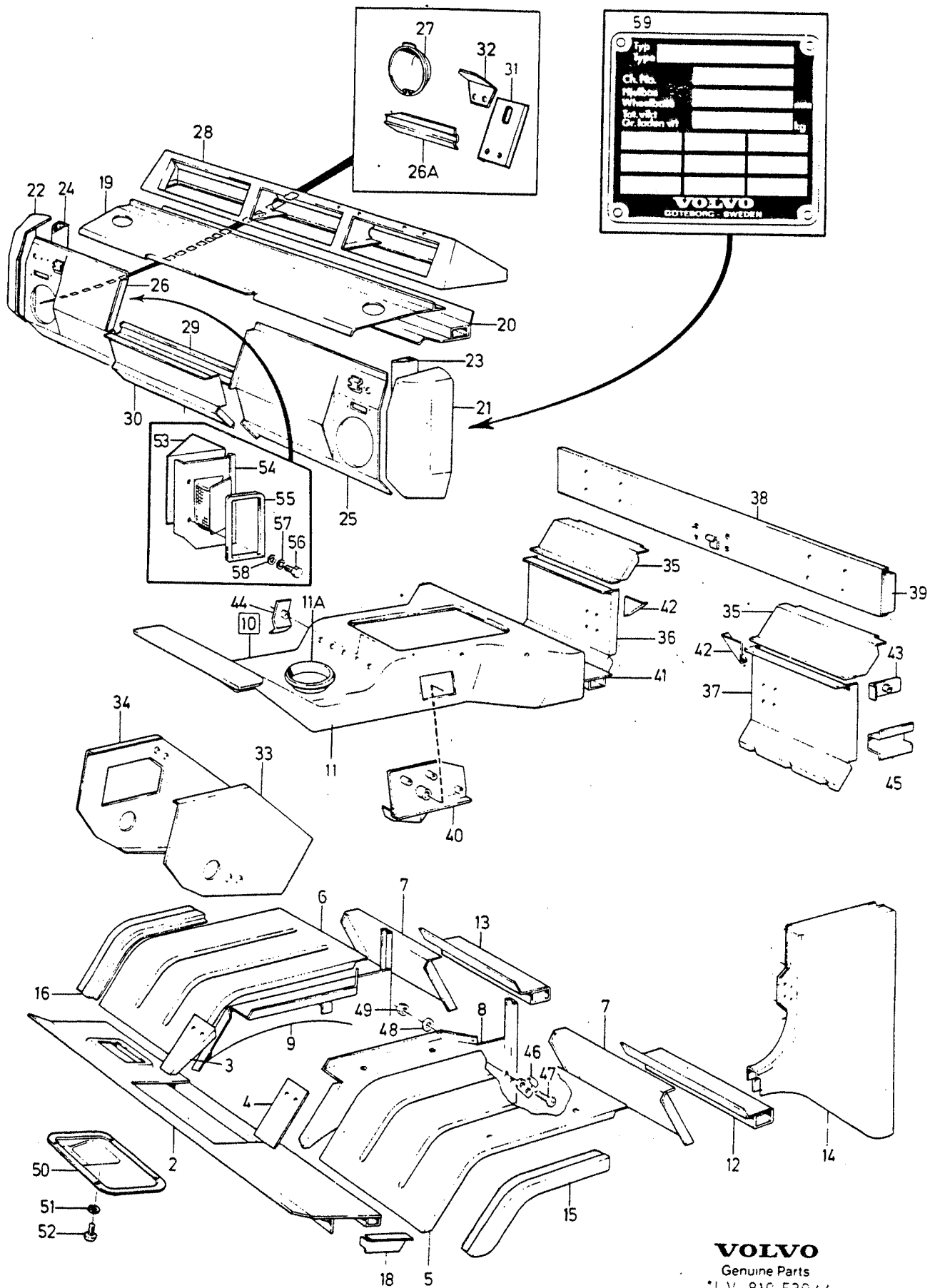
GRUPP INDEX  
HYTT, INREDNINGGROUP INDEX  
CAB, INTERIORGrupp  
Group  
**80**  
Sida  
Page  
**423**

| Pos | Benämning  | Description  | Anmärkning<br>Notes |
|-----|--|--|---------------------|
| 1   | <b>UNDERGRUPP 81</b><br>Karosserisammanställning ..... | <b>SUB GROUP 81</b><br>Body assembly .....           | <b>SEE 81-425</b>   |
| 2   | <b>UNDERGRUPP 83</b><br>Dörr .....                     | <b>SUB GROUP 83</b><br>Door .....                    | <b>SEE 83-447</b>   |
| 3   | <b>UNDERGRUPP 84</b><br>Glasruta .....                 | <b>SUB GROUP 84</b><br>Windows .....                 | <b>SEE 84-459</b>   |
| 4   | <b>UNDERGRUPP 85</b><br>Inredning .....                | <b>SUB GROUP 85</b><br>Interior trim .....           | <b>SEE 85-465</b>   |
| 5   | <b>UNDERGRUPP 86</b><br>Stänkskydd Skyddsplåtar .....  | <b>SUB GROUP 86</b><br>Mudflaps Guard plates .....   | <b>SEE 86-479</b>   |
| 6   | <b>UNDERGRUPP 87</b><br>Klimatanläggning .....         | <b>SUB GROUP 87</b><br>Heating and ventilation ..... | <b>SEE 87-485</b>   |
| 7   | <b>UNDERGRUPP 88</b><br>Invändig utrustning .....      | <b>SUB GROUP 88</b><br>Interior equipment .....      | <b>SEE 88-519</b>   |
| 8   | <b>UNDERGRUPP 89</b><br>Övrigt .....                   | <b>SUB GROUP 89</b><br>Other .....                   | <b>SEE 89-531</b>   |

**KAROSSERISAMMANSTÄLLNING / BODY ASSEMBLY**

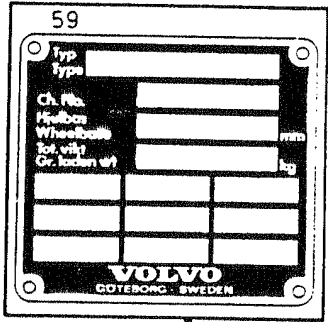
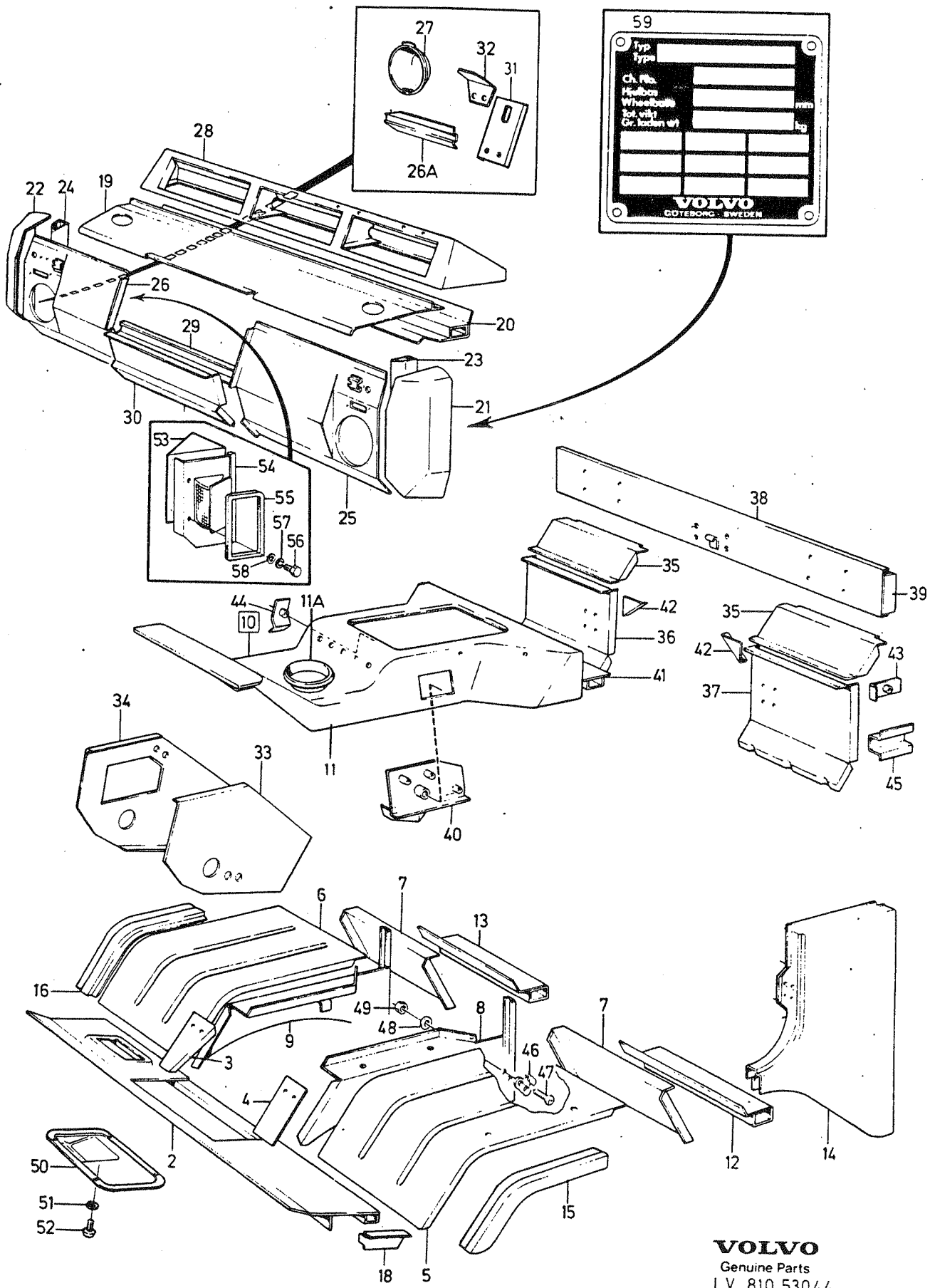


| A<br>B<br>C<br>D<br>E |     |                        |                 |   |   |   | UNDERGRUPP<br>KAROSSERISAMMANSTÄLLNING |   | SUB GROUP<br>BODY ASSEMBLY       |                        | Grupp<br>Group<br>81 |        |
|-----------------------|-----|------------------------|-----------------|---|---|---|--|---|----------------------------------|------------------------|----------------------|--------|
|                       |     |                        |                 |   |   |   |  |   |                                  |                        | Sida<br>Page<br>425  |        |
|                       | Pos | Artikel nr<br>Part No. | Antal /Quantity |   |   |   |  | P<br>S                                      | Benämning                        | Description            | Anmärkning<br>Notes  | S<br>R |
|                       |     |                        | A               | B | C | D | E                                      |   |                                  |                        |                      |        |
|                       |     |                        | -               | - | - | - | -                                      |   | Karosseristomme främre .....     | Body frame front ..... | SEE 81-427           |        |
|                       |     | -                      | -               | - | - | - |  | Karosseristomme bakre .....                 | Body frame rear .....            | SEE 81-431             |                      |        |
|                       |     | -                      | -               | - | - | - |  | Motorkåpa .....                             | Engine casing .....              | SEE 81-435             |                      |        |
|                       |     | -                      | -               | - | - | - |  | Karosseristomme<br>monteringsdetaljer ..... | Body frame installation parts .. | SEE 81-437             |                      |        |
|                       |     | -                      | -               | - | - | - |  | Takparti främre .....                       | Roof section front .....         | SEE 81-439             |                      |        |
|                       |     | -                      | -               | - | - | - |  | Takparti bakre .....                        | Roof section rear .....          | SEE 81-443             |                      |        |
|                       |     | -                      | -               | - | - | - |  | Karossida .....                             | Body side .....                  | SEE 81-445             |                      |        |



**VOLVO**  
 Genuine Parts  
 \*LV 81C 53044

| A   | L.H.D                  |                 |   |   |       | P                         | S  | Benämning                | Description                     | Anmärkning<br>Notes | S   | R |
|-----|------------------------|-----------------|---|---|-------|---------------------------|----|--------------------------|---------------------------------|---------------------|-----|---|
|     | B                      | C               | D | E | R.H.D |                           |    |                          |                                 |                     |     |   |
| C   |                        |                 |   |   |       | KAROSSERISTOMME<br>FRÄMRE |    | BODY FRAME<br>FRONT      |                                 | Grupp<br>Group      |     |   |
| D   |                        |                 |   |   |       |                           |    |                          |                                 | 81                  |     |   |
| E   |                        |                 |   |   |       |                           |    |                          |                                 | Sida<br>Page        | 427 |   |
| Pos | Artikel nr<br>Part No. | Antal /Quantity |   |   |       |                           |    |                          |                                 |                     |     |   |
|     |                        | A               | B | C | D     | E                         |    |                          |                                 |                     |     |   |
| 1   | 643235-5               | 1               | - | - | -     | -                         |    | Framparti .....          | Front section .....             |                     |     | 5 |
|     | 1560545-4              | -               | 1 | - | -     | -                         |    | Framparti .....          | Front section .....             |                     |     | 5 |
| 2   | 642780-1               | 1               | - | - | -     | -                         |    | •Golv, främre .....      | •Floor, front .....             |                     |     | 5 |
|     | 1560347                | -               | 1 | - | -     | -                         | NS | •Golv, främre .....      | •Floor, front .....             |                     |     |   |
| 3   | 643331                 | 1               | 1 | - | -     | -                         | OP | •Hjulhusplåt, h .....    | •Wheel housing plate, r.h. .... |                     |     | 3 |
| 4   | 643332                 | 1               | 1 | - | -     | -                         | OP | •Hjulhusplåt, v .....    | •Wheel housing plate, l.h. .... |                     |     | 3 |
| 5   | 644446-7               | 1               | 1 | - | -     | -                         |    | •Hjulhus .....           | •Wheel housing .....            |                     |     | 3 |
| 6   | 644445-9               | 1               | 1 | - | -     | -                         |    | •Hjulhus .....           | •Wheel housing .....            |                     |     | 3 |
| 7   | 642645-6               | 2               | 2 | - | -     | -                         |    | •Hjulhus, bakre .....    | •Wheel housing, rear .....      |                     |     | 3 |
| 8   | 642608-4               | 1               | 1 | - | -     | -                         |    | •Hjulhus, v .....        | •Wheel housing, l.h. ....       |                     |     | 3 |
| 9   | 642609                 | 1               | 1 | - | -     | -                         | OP | •Hjulhus, h .....        | •Wheel housing, r.h. ....       |                     |     | 3 |
| 10  | 643742-0               | 1               | - | - | -     | -                         |    | •Motorkåpa .....         | •Engine casing .....            | COMPL, FR           |     | 3 |
|     | 1560629                | -               | 1 | - | -     | -                         | NS | •Motorkåpa .....         | •Engine casing .....            | COMPL, FR           |     |   |
| 11  | 644751-0               | 1               | - | - | -     | -                         |    | ••Motorkåpa .....        | ••Engine casing .....           | L.H                 |     | 3 |
|     | 644752-8               | 1               | - | - | -     | -                         |    | ••Motorkåpa .....        | ••Engine casing .....           | R.H                 |     | 3 |
|     | 1560634-6              | -               | 1 | - | -     | -                         |    | ••Motorkåpa .....        | ••Engine casing .....           | L.H                 |     | 3 |
|     | 1560637-9              | -               | 1 | - | -     | -                         |    | ••Motorkåpa .....        | ••Engine casing .....           | R.H                 |     | 3 |
| 11a | 644004-4               | 1               | 1 | - | -     | -                         |    | ••Krage .....            | ••Collar .....                  |                     |     | 3 |
| 12  | 643236-3               | 1               | 1 | - | -     | -                         |    | •Balk, v .....           | •Member, l.h. ....              |                     |     | 3 |
| 13  | 643237-1               | 1               | 1 | - | -     | -                         |    | •Balk, h .....           | •Member, r.h. ....              |                     |     | 3 |
| 14  | 642715-7               | 1               | 1 | - | -     | -                         |    | •Sidoplåt, v .....       | •Side panel, l.h. ....          | Y                   |     | 5 |
|     | 642716-5               | 1               | 1 | - | -     | -                         |    | •Sidoplåt, h .....       | •Side panel, r.h. ....          | Y                   |     | 5 |
| 15  | 1561771-5              | 1               | 1 | - | -     | -                         |    | •Skärmsplåt, v .....     | •Shield, l.h. ....              |                     |     | 2 |
| 16  | 1561772-3              | 1               | 1 | - | -     | -                         |    | •Skärmsplåt, h .....     | •Shield, r.h. ....              |                     |     | 2 |
| 18  | 643306-4               | 1               | 1 | - | -     | -                         |    | •Tröskelplåt, v .....    | •Sill plate, l.h. ....          |                     |     | 3 |
|     | 643307-2               | 1               | 1 | - | -     | -                         |    | •Tröskelplåt, h .....    | •Sill plate, r.h. ....          |                     |     | 3 |
| 19  | 644966-4               | 1               | 1 | - | -     | -                         |    | •Torpedbalk, övre .....  | •Cowl member, upper .....       |                     |     | 5 |
| 20  | 643555-6               | 1               | 1 | - | -     | -                         |    | •Torpedbalk, undre ..... | •Cowl member, lower .....       |                     |     | 5 |
| 21  | 645214-8               | 1               | 1 | - | -     | -                         |    | •Sidostycke, v .....     | •Side section, l.h. ....        |                     |     | 3 |
| 22  | 645215-5               | 1               | 1 | - | -     | -                         |    | •Sidostycke, h .....     | •Side section, r.h. ....        |                     |     | 3 |
| 23  | 642906-2               | 1               | 1 | - | -     | -                         |    | •Innerstolpe, v .....    | •Inner pillar, l.h. ....        |                     |     | 4 |
| 24  | 642907-0               | 1               | 1 | - | -     | -                         |    | •Innerstolpe, h .....    | •Inner pillar, r.h. ....        |                     |     | 4 |
| 25  | 1560159-4              | 1               | - | - | -     | -                         |    | •Framstycke, v .....     | •Front section, l.h. ....       |                     |     | 2 |
|     | 1560879-7              | -               | 1 | - | -     | -                         |    | •Framstycke, v .....     | •Front section, l.h. ....       |                     |     | 2 |
| 26  | 1560160-2              | 1               | - | - | -     | -                         |    | •Framstycke, h .....     | •Front section, r.h. ....       |                     |     | 2 |
|     | 1560881-3              | -               | 1 | - | -     | -                         |    | •Framstycke, h .....     | •Front section, r.h. ....       |                     |     | 2 |
| 26a | 643538-2               | 1               | - | - | -     | -                         |    | •Förstärkningsplåt ..... | •Reinforcing plate .....        |                     |     | 3 |
|     | 643540-8               | -               | 1 | - | -     | -                         |    | •Frontförstärkning ..... | •Front reinforcement .....      |                     |     | 3 |
| 27  | 638181-8               | 2               | 2 | - | -     | -                         |    | •Kåpa .....              | •Casing .....                   |                     |     | 2 |
| 28  | 644649-6               | 1               | 1 | - | -     | -                         |    | •Instrumentbräda .....   | •Dashboard .....                |                     |     | 5 |
| 29  | 643542-4               | 1               | 1 | - | -     | -                         |    | •Mellanbalk .....        | •Intermediate member .....      |                     |     | 3 |
| 30  | 644312-1               | 1               | 1 | - | -     | -                         |    | •Framstycke .....        | •Front section .....            | M                   |     | 2 |
| 31  | 1561821-8              | 1               | 1 | - | -     | -                         |    | •Fästbalk .....          | •Attaching member .....         |                     |     | 4 |
| 32  |                        | -               | 1 | - | -     | -                         | NS | •Konsol .....            | •Bracket .....                  | R.H                 |     |   |
| 33  | 642876-7               | 1               | - | - | -     | -                         | NS | •Sidoplåt, v .....       | •Side panel, l.h. ....          |                     |     | 5 |
|     | 1560552                | -               | 1 | - | -     | -                         | NS | •Sidoplåt, v .....       | •Side panel, l.h. ....          |                     |     |   |
| 34  | 642874-2               | 1               | - | - | -     | -                         | NS | •Sidoplåt, h .....       | •Side panel, r.h. ....          |                     |     | 5 |
|     | 1560551                | -               | 1 | - | -     | -                         | NS | •Sidoplåt, h .....       | •Side panel, r.h. ....          |                     |     |   |
| 35  | 642485-7               | 2               | 2 | - | -     | -                         |    | •Mellansvägg .....       | •Baffle .....                   | UPPER               |     | 3 |
| 36  | 644319-6               | 1               | 1 | - | -     | -                         |    | •Mellansvägg .....       | •Partition wall .....           | LOWER, R.H          |     | 3 |
| 37  | 644320-4               | 1               | 1 | - | -     | -                         |    | •Mellansvägg .....       | •Baffle .....                   | LOWER, L.H          |     | 3 |
| 38  | 642479-0               | 1               | 1 | - | -     | -                         |    | •Balk, inre .....        | •Member, inner .....            |                     |     | 5 |
| 39  | 642481-6               | 1               | 1 | - | -     | -                         |    | •Balk, yttre .....       | •Member, outer .....            |                     |     | 5 |
| 40  | 642625-8               | 1               | - | - | -     | -                         |    | •Fästplatta .....        | •Attaching plate .....          |                     |     | 3 |
|     | 1560603                | -               | 1 | - | -     | -                         | NS | •Fästplatta .....        | •Attaching plate .....          |                     |     |   |
| 41  | 643960                 | 1               | 1 | - | -     | -                         | OP | •Stagbalk .....          | •Stay member .....              |                     |     | 5 |
| 42  |                        | 4               | 4 | - | -     | -                         | NS | •Tätning .....           | •Seal .....                     |                     |     |   |
| 43  | 644792-4               | 1               | 1 | - | -     | -                         |    | •Fäste .....             | •Anchorage .....                |                     |     | 3 |
| 44  | 644166-1               | 1               | 1 | - | -     | -                         |    | •Mutterplåt .....        | •Nut plate .....                |                     |     | 3 |
| 45  | 644790-8               | 1               | 1 | - | -     | -                         |    | •Profil .....            | •Profile .....                  |                     |     | 3 |
| 46  | 634506-0               | 2               | 2 | - | -     | -                         |    | •Fäst krok .....         | •Attaching hook .....           | L.H.D CH-2757.      |     | 4 |
|     | 634506-0               | 1               | - | - | -     | -                         |    | •Fäst krok .....         | •Attaching hook .....           | CH 2758-            |     | 4 |

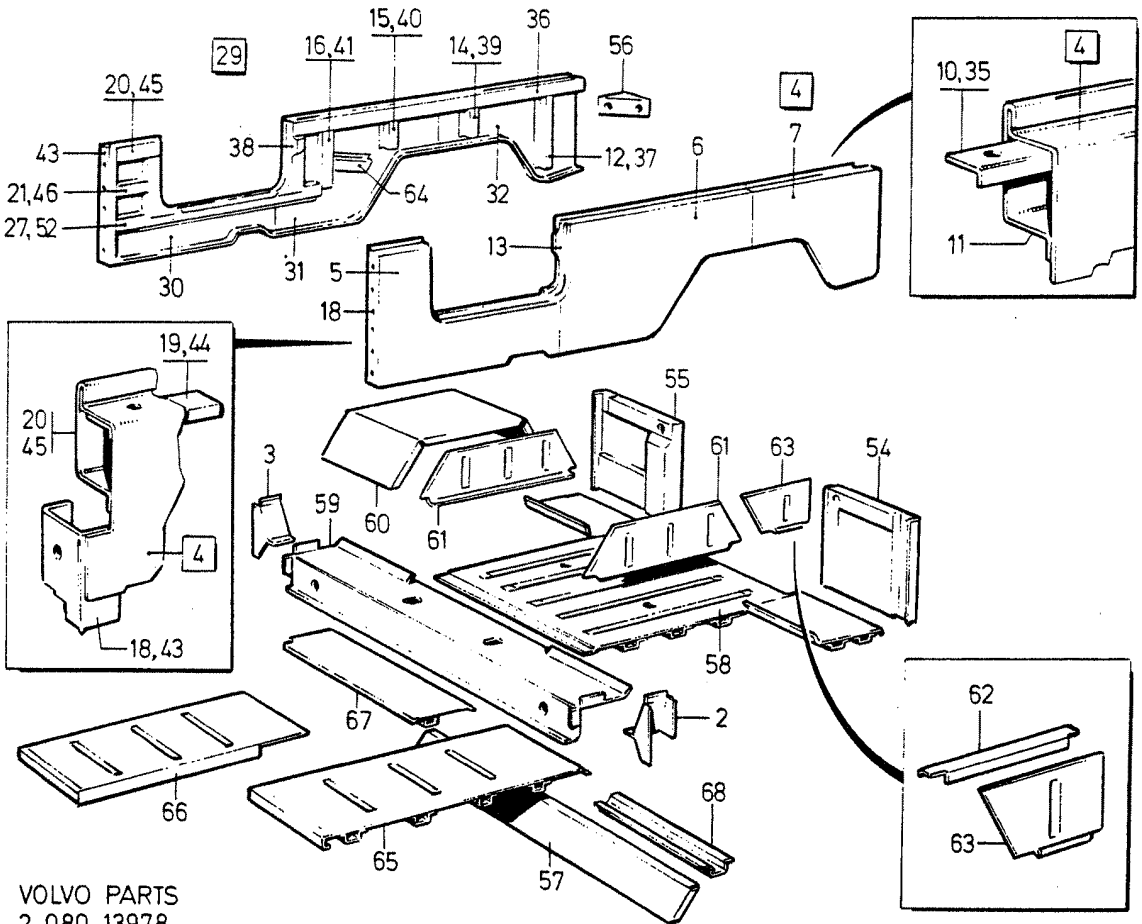
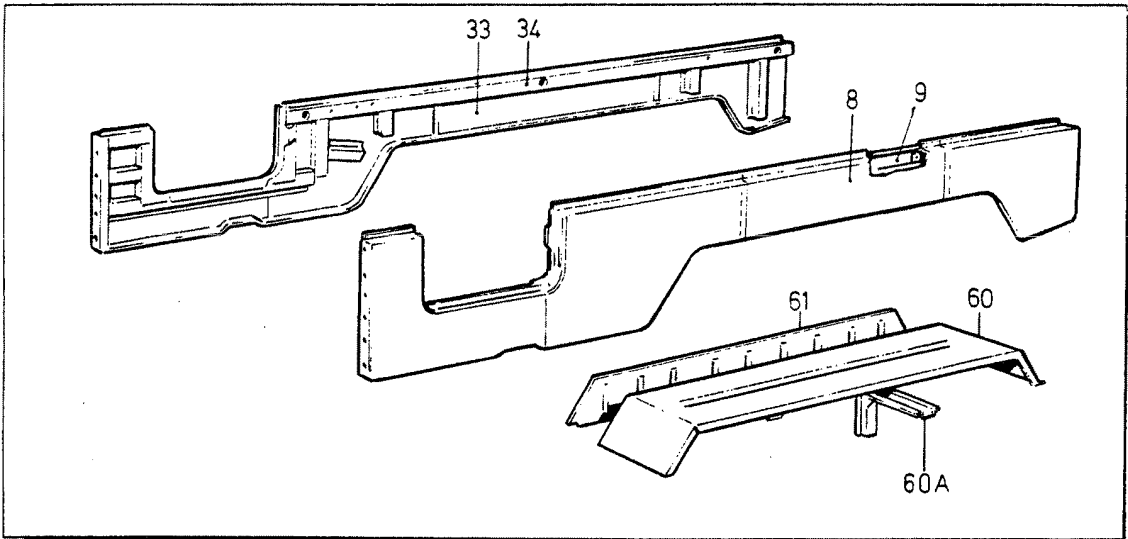
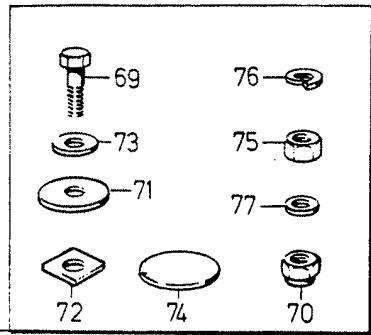
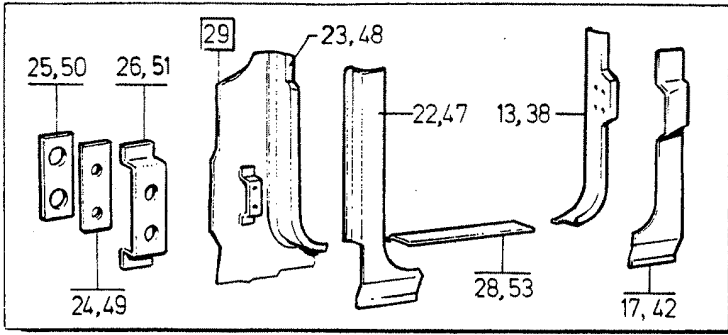


**VOLVO**  
 Genuine Parts  
 LV 810 53044



| A   | L.H.D                  | KAROSSESTOMME<br>FRÄMRE |   |   |   |   | BODY FRAME<br>FRONT     |                            | Grupp<br>Group      |                     |        |
|-----|------------------------|-------------------------|---|---|---|---|-------------------------|----------------------------|---------------------|---------------------|--------|
|     |                        |                         |   |   |   |   |                         |                            | 81                  |                     |        |
| B   | R.H.D                  |                         |   |   |   |   |                         |                            | Sida<br>Page        |                     |        |
| C   |                        |                         |   |   |   |   |                         |                            | 429                 |                     |        |
| D   |                        |                         |   |   |   |   |                         |                            |                     |                     |        |
| E   |                        |                         |   |   |   |   |                         |                            |                     |                     |        |
| Pos | Artikel nr<br>Part No. | Antal /Quantity         |   |   |   |   | P<br>S                  | Benämning                  | Description         | Anmärkning<br>Notes | S<br>R |
|     |                        | A                       | B | C | D | E |                         |                            |                     |                     |        |
|     | 634506-0               | -                       | 1 | - | - | - | Fästkrok .....          | Attaching hook .....       | SPCL S-3652, S-3653 | 4                   |        |
|     | 1562820-9              | 1                       | - | - | - | - | Fästkrok .....          | Attaching hook .....       | CH 2758-            | 3                   |        |
|     | 1562820-9              | -                       | 1 | - | - | - | Fästkrok .....          | Attaching hook .....       | SPCL S-3652, S-3653 | 3                   |        |
| 47  | 950022-4               | X                       | X | - | - | - | Skruv .....             | Screw .....                |                     | 2                   |        |
| 48  | 941905-2               | X                       | X | - | - | - | Fjäderbricka .....      | Spring washer .....        |                     | 2                   |        |
| 49  | 940092-0               | X                       | X | - | - | - | Mutter .....            | Nut .....                  |                     | 2                   |        |
| 50  | 643740-4               | 1                       | - | - | - | - | Kåpa .....              | Casing .....               |                     | 3                   |        |
|     | 1560404-4              | -                       | 1 | - | - | - | Kåpa .....              | Casing .....               |                     | 3                   |        |
| 51  | 950045-5               | 4                       | 4 | - | - | - | Skruv .....             | Screw .....                |                     | 2                   |        |
| 52  | 941906-0               | 4                       | 4 | - | - | - | Fjäderbricka .....      | Spring washer .....        |                     | 2                   |        |
| 53  |                        | 1                       | 1 | - | - | - | Plåt .....              | Plate .....                | SEE 87-493          |                     |        |
| 54  | 1561648-5              | -                       | 1 | - | - | - | Ventilationslucka ..... | Ventilation hatch .....    | INCL S-3758         | 3                   |        |
|     | 1563862-0              | -                       | 1 | - | - | - | • Lock .....            | • Cover .....              |                     | 5                   |        |
| 55  | 311650-6               | -                       | 1 | - | - | - | Packning .....          | Gasket .....               | INCL S-3758         | 3                   |        |
| 56  | 950045-5               | -                       | 4 | - | - | - | Skruv .....             | Screw .....                |                     | 2                   |        |
| 57  | 941900-3               | -                       | 4 | - | - | - | O-ring .....            | O-ring .....               |                     | 2                   |        |
| 58  | 960140-2               | -                       | 4 | - | - | - | Bricka .....            | Washer .....               |                     | 2                   |        |
| 59  | 1509393-3              | 1                       | 1 | - | - | - | Produktskytt .....      | Identification plate ..... |                     | 2                   |        |

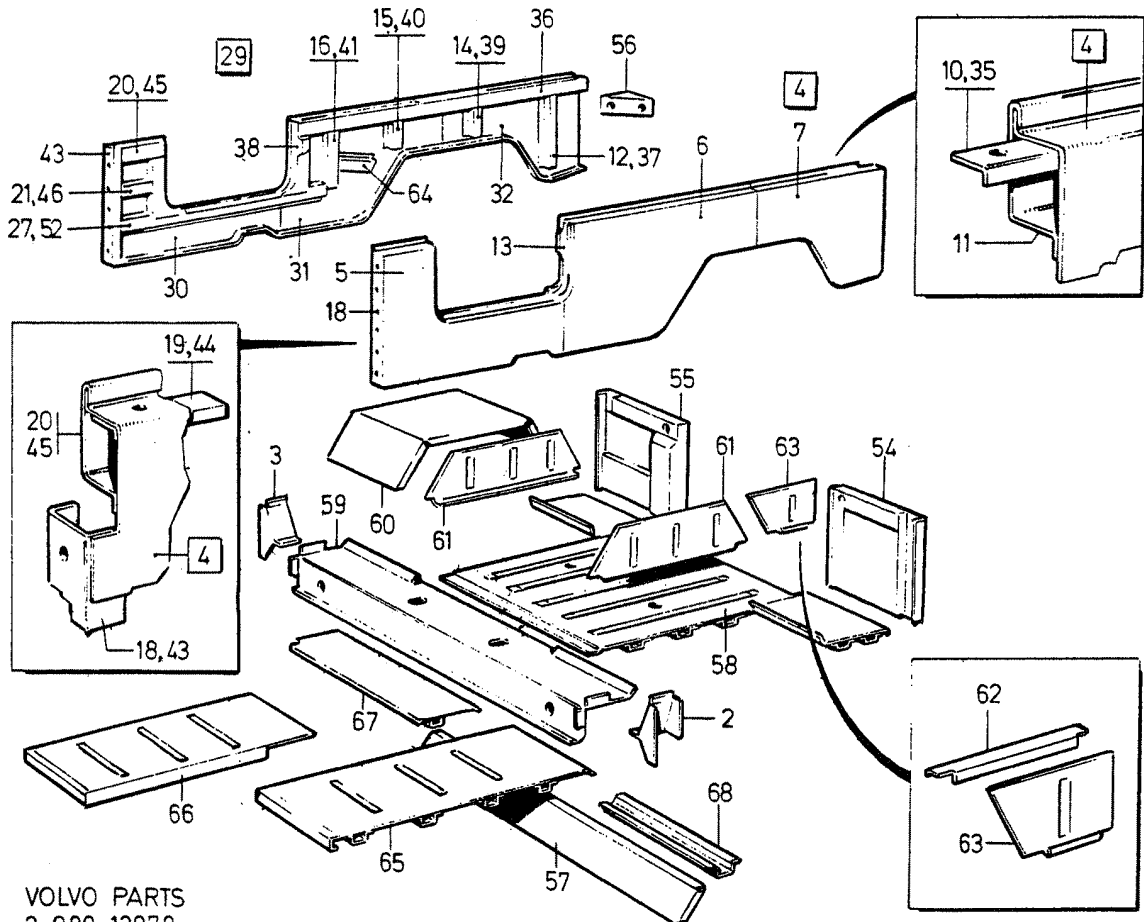
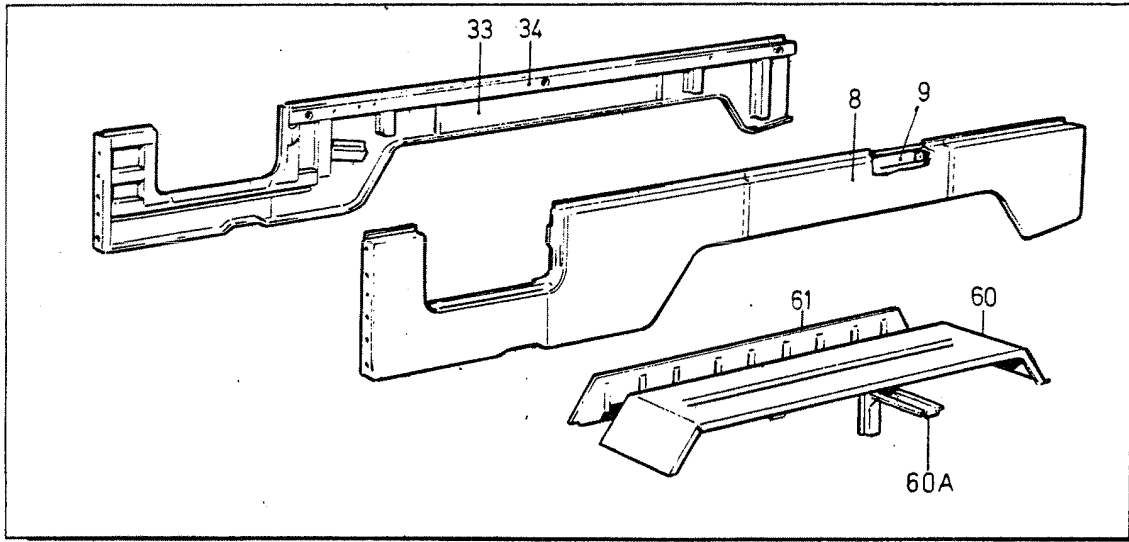
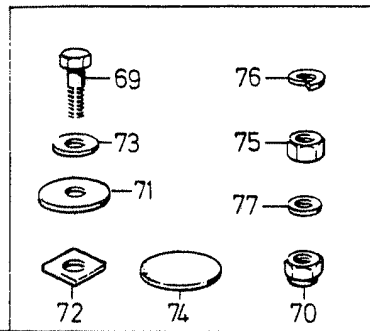
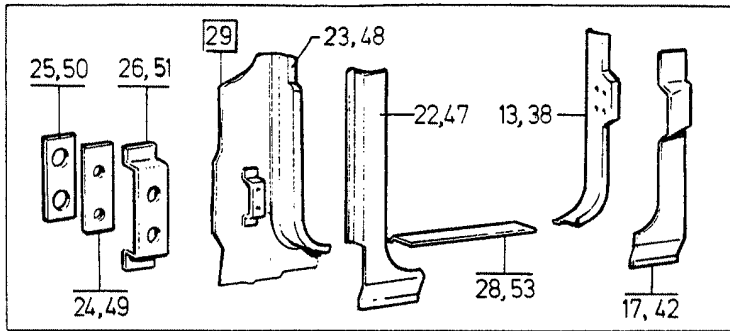
1



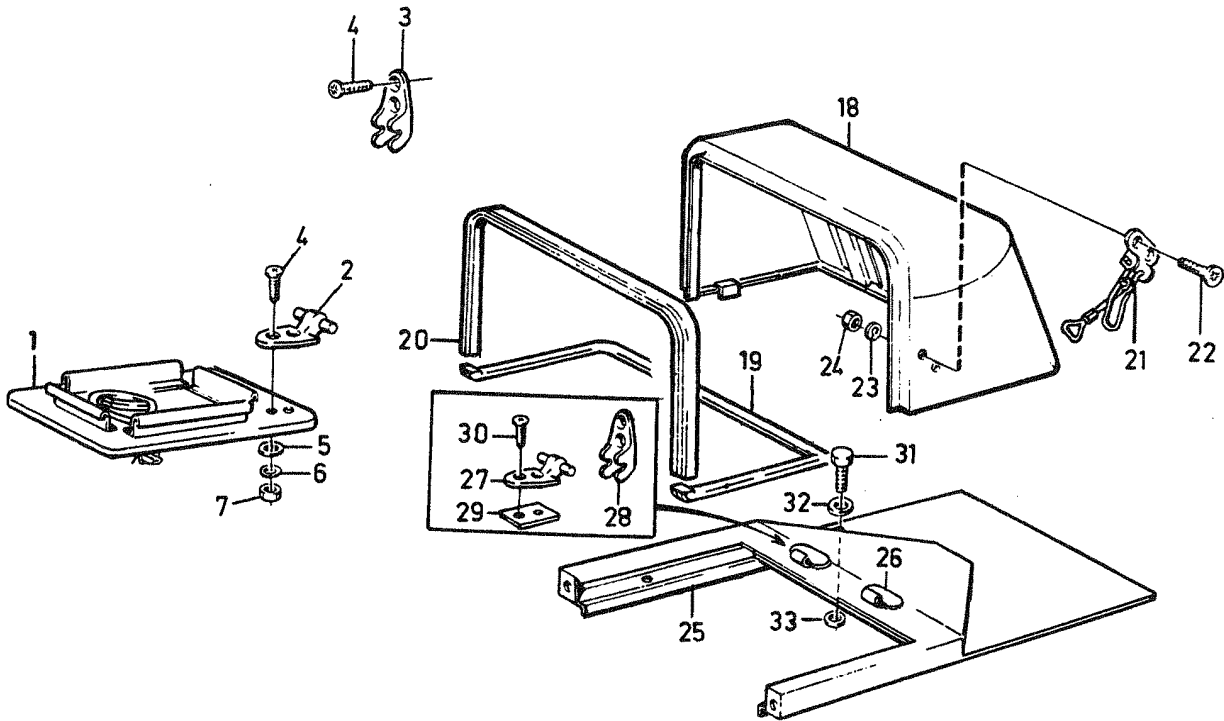
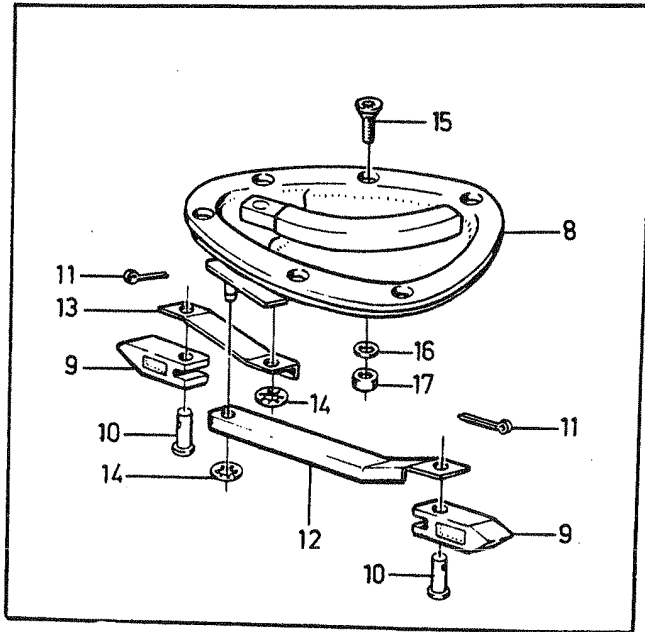
VOLVO PARTS  
2 080 13978

| A   | 4X4                    | KAROSSESTOMME<br>BAKRE |   |   |   | BODY FRAME<br>REAR |        |                            |                            | Grupp<br>Group      |        |
|-----|------------------------|------------------------|---|---|---|--------------------|--------|----------------------------|----------------------------|---------------------|--------|
|     | B                      |                        |   |   |   |                    |        |                            |                            | 6X6                 | 81     |
| C   |                        |                        |   |   |   |                    |        |                            |                            | Sida<br>Page        |        |
| D   |                        |                        |   |   |   | L.H.D.             |        |                            |                            | 431                 |        |
| E   |                        |                        |   |   |   |                    |        |                            |                            |                     |        |
| Pos | Artikel nr<br>Part No. | Antal /Quantity        |   |   |   |                    | P<br>S | Benämning                  | Description                | Anmärkning<br>Notes | S<br>R |
|     |                        | A                      | B | C | D | E                  |        |                            |                            |                     |        |
| 1   | 643965<br>1560361      | 1                      | - | - | - | -                  | OP     | Bakparti .....             | Rear section .....         |                     | 3      |
|     |                        |                        |   |   |   |                    | NS     | Bakparti .....             | Rear section .....         |                     | 3      |
| 2   | 639652-7               | 1                      | 1 | - | - | -                  |        | •Förstärkning, v .....     | •Reinforcement, l.h. ....  |                     | 3      |
| 3   | 639653-5               | 1                      | 1 | - | - | -                  |        | •Förstärkning, h .....     | •Reinforcement, r.h. ....  |                     | 3      |
| 4   | 643966-5<br>1560058    | 1                      | - | - | - | -                  | NS     | •Sidoplåt, v .....         | •Side panel, l.h. ....     |                     | 4      |
|     |                        |                        |   |   |   |                    |        | •Sidoplåt, v .....         | •Side panel, l.h. ....     |                     | 5      |
| 5   | 1561325-0              | 1                      | 1 | - | - | -                  |        | ••Sidoplåt, v .....        | ••Side panel, l.h. ....    |                     | 3      |
| 6   | 1561323-5              | 1                      | 1 | - | - | -                  |        | ••Sidoplåt, v .....        | ••Side panel, l.h. ....    |                     | 3      |
| 7   | 1561321-9              | 1                      | 1 | - | - | -                  |        | ••Sidoplåt, v .....        | ••Side panel, l.h. ....    |                     | 3      |
| 8   | 1560012-5              | -                      | 1 | - | - | -                  |        | ••Plåt .....               | ••Plate .....              |                     | 3      |
| 9   | 1560020-8              | -                      | 1 | - | - | -                  |        | ••Balk, övre .....         | ••Member, upper .....      |                     | 5      |
| 10  | 643981-4               | 1                      | - | - | - | -                  |        | ••Förstärkning, v .....    | ••Reinforcement, l.h. .... |                     | 3      |
|     | 1560036-4              | -                      | 1 | - | - | -                  |        | ••Förstärkning, v .....    | ••Reinforcement, l.h. .... |                     | 3      |
| 11  | 643970-7               | 1                      | - | - | - | -                  |        | ••Balk, övre .....         | ••Member, upper .....      |                     | 3      |
|     | 1565471-8              | 1                      | - | - | - | -                  |        | ••Balk, övre .....         | ••Member, upper .....      | CANVAS              | 3      |
| 12  | 643974-9               | 1                      | 1 | - | - | -                  |        | ••Förstärkningsskena ..... | ••Reinforcing rail .....   |                     | 3      |
| 13  | 643975-6               | 1                      | 1 | - | - | -                  |        | ••Dörrstolpe, v .....      | ••Door pillar, l.h. ....   |                     | 3      |
| 14  | 639651-9               | 1                      | 1 | - | - | -                  |        | ••Fästbalk .....           | ••Attaching member .....   |                     | 3      |
| 15  | 638544-7               | 1                      | 1 | - | - | -                  |        | ••Fästbalk .....           | ••Attaching member .....   |                     | 3      |
| 16  | 639650-1               | 1                      | 1 | - | - | -                  |        | ••Balk .....               | ••Member .....             |                     | 5      |
| 17  | 643979-8               | 1                      | 1 | - | - | -                  |        | ••Dörrstolpe, v .....      | ••Door pillar, l.h. ....   |                     | 3      |
| 18  | 643992-1               | 1                      | 1 | - | - | -                  |        | ••Stolpe, v .....          | ••Pillar, l.h. ....        |                     | 3      |
| 19  | 643994-7               | 1                      | 1 | - | - | -                  |        | ••Förstärkningsplåt .....  | ••Reinforcing plate .....  |                     | 3      |
| 20  | 643996-2               | 1                      | 1 | - | - | -                  |        | ••Balk, v .....            | ••Member, l.h. ....        |                     | 3      |
| 21  | 640567                 | 1                      | 1 | - | - | -                  | OP     | ••Balk .....               | ••Member .....             |                     | 5      |
| 22  | 639647-7               | 1                      | - | - | - | -                  |        | ••Dörrstolpe .....         | ••Door pillar .....        |                     | 3      |
|     | 639646-9               | -                      | 1 | - | - | -                  |        | ••Dörrstolpe .....         | ••Door pillar .....        |                     | 3      |
| 23  | 641489-0               | 1                      | - | - | - | -                  |        | ••Dörrstolpe .....         | ••Door pillar .....        |                     | 3      |
|     | 641488-2               | -                      | 1 | - | - | -                  |        | ••Dörrstolpe .....         | ••Door pillar .....        |                     | 3      |
| 24  | 639499-3               | 2                      | 1 | - | - | -                  |        | ••Järn .....               | ••Iron .....               |                     | 5      |
| 25  |                        | 2                      | 1 | - | - | -                  | NS     | ••Platta .....             | ••Plate .....              |                     | 3      |
| 26  | 640572-4               | 2                      | 1 | - | - | -                  |        | ••Hållare .....            | ••Retainer .....           |                     | 5      |
| 27  | 641820-6               | 1                      | 1 | - | - | -                  |        | ••Balk .....               | ••Member .....             |                     | 3      |
| 28  | 641826-3               | 1                      | 1 | - | - | -                  |        | ••Tröskelplåt .....        | ••Sill plate .....         |                     | 3      |
| 29  | 643967-3               | 1                      | - | - | - | -                  |        | ••Sidoplåt, h .....        | ••Side panel, r.h. ....    |                     | 4      |
|     | 1560059                | -                      | 1 | - | - | -                  | NS     | ••Sidoplåt, h .....        | ••Side panel, r.h. ....    |                     | 5      |
| 30  | 1561326-8              | 1                      | 1 | - | - | -                  |        | ••Sidoplåt, h .....        | ••Side panel, r.h. ....    |                     | 3      |
| 31  | 1561324-3              | 1                      | 1 | - | - | -                  |        | ••Sidoplåt, h .....        | ••Side panel, r.h. ....    |                     | 3      |
| 32  | 1561322-7              | 1                      | 1 | - | - | -                  |        | ••Sidoplåt, h .....        | ••Side panel, r.h. ....    |                     | 3      |
| 33  | 1560012-5              | -                      | 1 | - | - | -                  |        | ••Plåt .....               | ••Plate .....              |                     | 3      |
| 34  | 1560021-6              | -                      | 1 | - | - | -                  |        | ••Balk, övre .....         | ••Member, upper .....      |                     | 5      |
| 35  | 643982-2               | 1                      | - | - | - | -                  |        | ••Förstärkning, h .....    | ••Reinforcement, r.h. .... |                     | 3      |
|     | 1560037-2              | -                      | 1 | - | - | -                  |        | ••Förstärkning, h .....    | ••Reinforcement, r.h. .... |                     | 3      |
| 36  | 643971-5               | 1                      | - | - | - | -                  |        | ••Balk, övre .....         | ••Member, upper .....      |                     | 3      |
|     | 1565472-6              | 1                      | - | - | - | -                  |        | ••Balk, övre .....         | ••Member, upper .....      | CANVAS              | 3      |
| 37  | 643974-9               | 1                      | 1 | - | - | -                  |        | ••Förstärkningsskena ..... | ••Reinforcing rail .....   |                     | 3      |
| 38  | 643976-4               | 1                      | 1 | - | - | -                  |        | ••Dörrstolpe, h .....      | ••Door pillar, r.h. ....   |                     | 3      |
| 39  | 639651-9               | 1                      | 1 | - | - | -                  |        | ••Fästbalk .....           | ••Attaching member .....   |                     | 3      |
| 40  | 638544-7               | 1                      | 1 | - | - | -                  |        | ••Fästbalk .....           | ••Attaching member .....   |                     | 3      |
| 41  | 639650-1               | 1                      | 1 | - | - | -                  |        | ••Balk .....               | ••Member .....             |                     | 5      |
| 42  | 643980-6               | 1                      | 1 | - | - | -                  |        | ••Dörrstolpe, h .....      | ••Door pillar, r.h. ....   |                     | 3      |
| 43  | 643993-9               | 1                      | 1 | - | - | -                  |        | ••Stolpe, h .....          | ••Pillar, r.h. ....        |                     | 3      |
| 44  | 643994-7               | 1                      | 1 | - | - | -                  |        | ••Förstärkningsplåt .....  | ••Reinforcing plate .....  |                     | 3      |
| 45  | 643997-0               | 1                      | 1 | - | - | -                  |        | ••Balk, h .....            | ••Member, r.h. ....        |                     | 3      |
| 46  | 640567                 | 1                      | 1 | - | - | -                  | OP     | ••Balk .....               | ••Member .....             |                     | 5      |
| 47  | 639646-9               | 1                      | - | - | - | -                  |        | ••Dörrstolpe .....         | ••Door pillar .....        |                     | 3      |
|     | 639647-7               | -                      | 1 | - | - | -                  |        | ••Dörrstolpe .....         | ••Door pillar .....        |                     | 3      |
| 48  | 641488-2               | 1                      | - | - | - | -                  |        | ••Dörrstolpe .....         | ••Door pillar .....        |                     | 3      |
|     | 641489-0               | -                      | 1 | - | - | -                  |        | ••Dörrstolpe .....         | ••Door pillar .....        |                     | 3      |
| 49  | 639499-3               | 2                      | 1 | - | - | -                  |        | ••Järn .....               | ••Iron .....               |                     | 5      |
| 50  |                        | 2                      | 1 | - | - | -                  | NS     | ••Platta .....             | ••Plate .....              |                     | 3      |
| 51  | 640572-4               | 2                      | 1 | - | - | -                  |        | ••Hållare .....            | ••Retainer .....           |                     | 3      |

1



| A   | 4X4                    |                 |    |   |   |   | P  | S                       | Benämning                    | Description                             | Anmärkning<br>Notes | S | R |     |                          |                    |                |    |       |              |     |
|-----|------------------------|-----------------|----|---|---|---|----|-------------------------|------------------------------|---|---------------------|---|---|-----|--------------------------|--------------------|----------------|----|-------|--------------|-----|
|     | B                      |                 |    |   |   |   |    |                         |                              |   |                     |   |   | 6X6 | KAROSSERISTOMME<br>BAKRE | BODY FRAME<br>REAR | Grupp<br>Group | 81 |       |              |     |
|     | C                      |                 |    |   |   |   |    |                         |                              |   |                     |   |   |     |                          |                    |                |    | L.H.D | Sida<br>Page | 433 |
|     | D                      |                 |    |   |   |   |    |                         |                              |   |                     |   |   |     |                          |                    |                |    |       |              |     |
|     | E                      |                 |    |   |   |   |    |                         |                              |   |                     |   |   |     |                          |                    |                |    |       |              |     |
| Pos | Artikel nr<br>Part No. | Antal /Quantity |    |   |   |   |    |                         |                              |   |                     |   |   |     |                          |                    |                |    |       |              |     |
|     |                        | A               | B  | C | D | E |    |                         |                              |   |                     |   |   |     |                          |                    |                |    |       |              |     |
| 52  | 641821-4               | 1               | 1  | - | - | - |    | •• Balk .....           | •• Member .....              |   |                     | 5 |   |     |                          |                    |                |    |       |              |     |
| 53  | 641826-3               | 1               | 1  | - | - | - |    | •• Tröskelplåt .....    | •• Sill plate .....          |   |                     | 3 |   |     |                          |                    |                |    |       |              |     |
| 54  | 644025-9               | 1               | 1  | - | - | - |    | • Bakstycke, v .....    | • Rear section, l.h. ....    |   |                     | 3 |   |     |                          |                    |                |    |       |              |     |
| 55  | 644031-7               | 1               | 1  | - | - | - |    | • Bakstycke, h .....    | • Rear section, r.h. ....    |   |                     | 3 |   |     |                          |                    |                |    |       |              |     |
| 56  | 639635-2               | 2               | 2  | - | - | - |    | • Hörförstärkning ..... | • Corner reinforcement ..... |   |                     | 3 |   |     |                          |                    |                |    |       |              |     |
| 57  | 644059-8               | 1               | 1  | - | - | - |    | • Plåt .....            | • Plate .....                |   |                     | 3 |   |     |                          |                    |                |    |       |              |     |
| 58  | 644007-7               | 1               | -  | - | - | - |    | • Golv .....            | • Floor .....                |   |                     | 5 |   |     |                          |                    |                |    |       |              |     |
|     | (644930)               | -               | 1  | - | - | - | SP | • Golv .....            | • Floor .....                | REPL 1PCS 1563995-8,<br>1PCS 1565200-1. |                     | 6 |   |     |                          |                    |                |    |       |              |     |
|     | 1563995-8              | -               | 1  | - | - | - |    | • Golv .....            | • Floor .....                |   |                     | 5 |   |     |                          |                    |                |    |       |              |     |
|     | 1565200-1              | -               | 1  | - | - | - |    | • Golv .....            | • Floor .....                |   |                     | 5 |   |     |                          |                    |                |    |       |              |     |
| 59  | 644078-8               | 1               | -  | - | - | - |    | • Fotsteg .....         | • Foot step .....            |   |                     | 3 |   |     |                          |                    |                |    |       |              |     |
|     | 644079-6               | -               | 1  | - | - | - |    | • Golvparti .....       | • Floor section .....        |   |                     | 3 |   |     |                          |                    |                |    |       |              |     |
| 60  | 644074-7               | 2               | -  | - | - | - |    | • Hjulhus .....         | • Wheel housing .....        |   |                     | 3 |   |     |                          |                    |                |    |       |              |     |
|     | 644973-0               | -               | 2  | - | - | - |    | • Hjulhus .....         | • Wheel housing .....        |   |                     | 5 |   |     |                          |                    |                |    |       |              |     |
| 60a | 644979-7               | -               | 4  | - | - | - |    | • Stagbalk .....        | • Stay member .....          |   |                     | 3 |   |     |                          |                    |                |    |       |              |     |
| 61  | 644076-2               | 2               | -  | - | - | - |    | • Hjulhusplåt .....     | • Wheel housing plate .....  |   |                     | 5 |   |     |                          |                    |                |    |       |              |     |
|     | 644972-2               | -               | 2  | - | - | - |    | • Hjulhusplåt .....     | • Wheel housing plate .....  |   |                     | 5 |   |     |                          |                    |                |    |       |              |     |
| 62  | 1561849-9              | 1               | 1  | - | - | - |    | • Stagplåt, v .....     | • Stay plate, l.h. ....      |   |                     | 3 |   |     |                          |                    |                |    |       |              |     |
| 63  | 1561850-7              | 1               | 1  | - | - | - |    | • Stagplåt, h .....     | • Stay plate, r.h. ....      |   |                     | 3 |   |     |                          |                    |                |    |       |              |     |
| 64  |                        | 2               | 2  | - | - | - | NS | • Balk .....            | • Member .....               |   |                     |   |   |     |                          |                    |                |    |       |              |     |
| 65  | 1560938-1              | 1               | 1  | - | - | - |    | • Golv, v .....         | • Floor, l.h. ....           |   |                     | 5 |   |     |                          |                    |                |    |       |              |     |
| 66  | 1560939-9              | 1               | 1  | - | - | - |    | • Golv, h .....         | • Floor, r.h. ....           |   |                     | 5 |   |     |                          |                    |                |    |       |              |     |
| 67  | 1560940-7              | 1               | 1  | - | - | - |    | • Golv, bakre .....     | • Floor, rear .....          |   |                     | 5 |   |     |                          |                    |                |    |       |              |     |
| 68  | 644550-6               | 1               | 1  | - | - | - |    | • Balk .....            | • Member .....               |   |                     | 5 |   |     |                          |                    |                |    |       |              |     |
| 69  | 955550-9               | 2               | 4  | - | - | - |    | Skruv .....             | Screw .....                  |   |                     | 2 |   |     |                          |                    |                |    |       |              |     |
|     | 940135-7               | 20              | -  | - | - | - |    | Skruv .....             | Screw .....                  |   |                     | 2 |   |     |                          |                    |                |    |       |              |     |
|     | 955524-4               | -               | 20 | - | - | - |    | Skruv .....             | Screw .....                  |   |                     | 2 |   |     |                          |                    |                |    |       |              |     |
|     | 959809-5               | 2               | 2  | - | - | - |    | Skruv .....             | Screw .....                  |   |                     | 2 |   |     |                          |                    |                |    |       |              |     |
| 70  | 950355-8               | 4               | 6  | - | - | - |    | Mutter .....            | Nut .....                    |   |                     | 2 |   |     |                          |                    |                |    |       |              |     |
| 71  | 120065-8               | 4               | 8  | - | - | - |    | Bricka .....            | Washer .....                 |   |                     | 2 |   |     |                          |                    |                |    |       |              |     |
| 72  | 1561871-3              | 4               | 6  | - | - | - |    | Mellanlägg .....        | Spacer .....                 |   |                     | 3 |   |     |                          |                    |                |    |       |              |     |
|     | 641165-6               | -               | 2  | - | - | - |    | Mellanlägg .....        | Spacer .....                 |   |                     | 3 |   |     |                          |                    |                |    |       |              |     |
| 73  | 960144-4               | 2               | 2  | - | - | - |    | Bricka .....            | Washer .....                 |   |                     | 2 |   |     |                          |                    |                |    |       |              |     |
| 74  | 1562819-1              | 10              | -  | - | - | - |    | Gummikudde .....        | Rubber cushion .....         |   |                     | 3 |   |     |                          |                    |                |    |       |              |     |
|     | 1562819-1              | -               | 10 | - | - | - |    | Gummikudde .....        | Rubber cushion .....         | L.H.D CH-5290. R.H.D.                   |                     | 3 |   |     |                          |                    |                |    |       |              |     |
|     | 1565641-6              | -               | 10 | - | - | - |    | Gummikudde .....        | Rubber cushion .....         | L.H.D CH 5291-                          |                     | 3 |   |     |                          |                    |                |    |       |              |     |
|     | 641165-6               | -               | 4  | - | - | - |    | Mellanlägg .....        | Spacer .....                 | L.H.D CH 5291-                          |                     | 3 |   |     |                          |                    |                |    |       |              |     |
| 75  | 955826-3               | 18              | 18 | - | - | - |    | Mutter .....            | Nut .....                    |   |                     | 2 |   |     |                          |                    |                |    |       |              |     |
| 76  | 941907-8               | 20              | 20 | - | - | - |    | Fjäderbricka .....      | Spring washer .....          |   |                     | 2 |   |     |                          |                    |                |    |       |              |     |
| 77  | 955894-1               | 38              | 38 | - | - | - |    | Bricka .....            | Washer .....                 |   |                     | 2 |   |     |                          |                    |                |    |       |              |     |
|     | 190621-3               | 2               | 2  | - | - | - |    | Bricka .....            | Washer .....                 |   |                     | 2 |   |     |                          |                    |                |    |       |              |     |

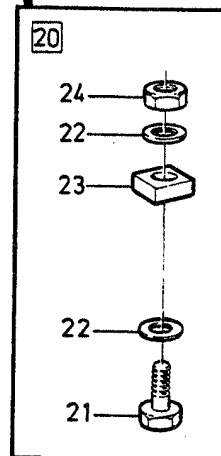
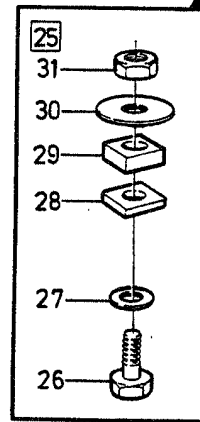
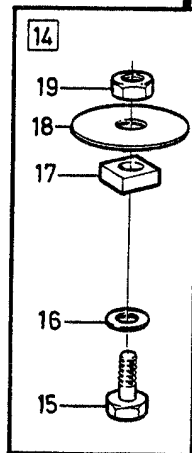
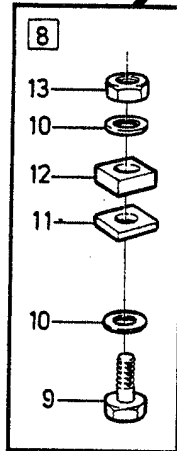
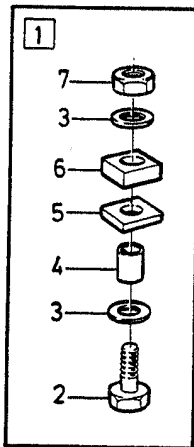
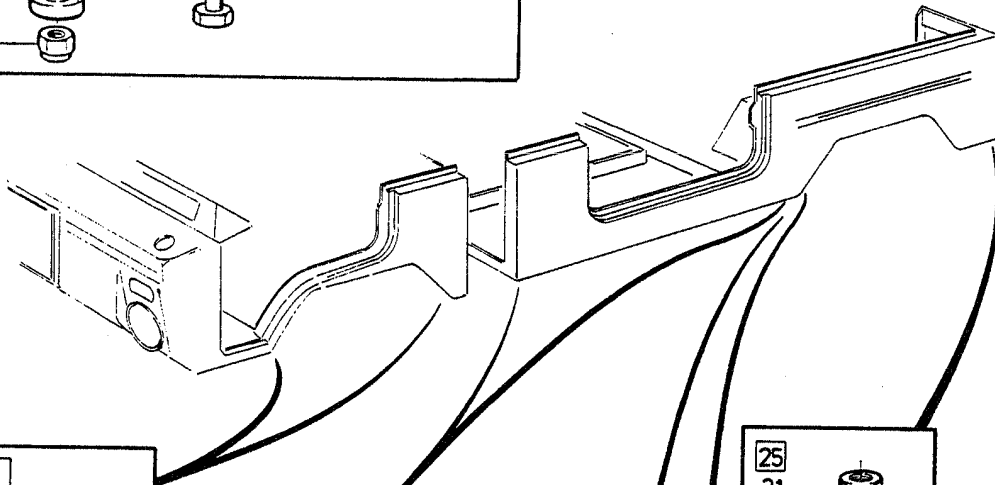
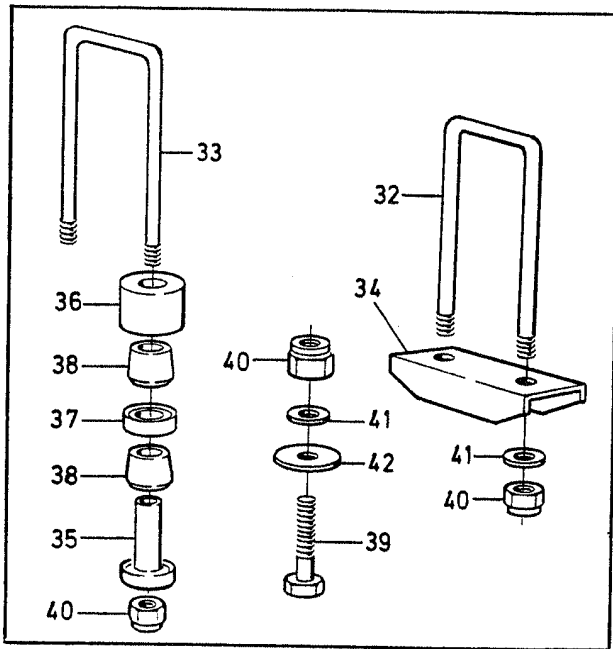


VOLVO PARTS  
 2 080 35004  
 (31:2)

| A            | L.H.D                  |                 |           |                |    | P | S  | Benämning             | Description               | Anmärkning<br>Notes | S | R |               |  |  |  |  |  |  |
|--------------|------------------------|-----------------|-----------|----------------|----|---|----|-----------------------|---------------------------|---------------------|---|---|---------------|--|--|--|--|--|--|
|              | B                      | R.H.D           |           |                |    |   |    |                       |                           |                     |   |   |               |  |  |  |  |  |  |
|              |                        | C               | MOTORKÅPA |                |    |   |    |                       |                           |                     |   |   | ENGINE CASING |  |  |  |  |  |  |
|              |                        |                 | D         | Grupp<br>Group |    |   |    |                       |                           |                     |   |   |               |  |  |  |  |  |  |
|              |                        |                 |           | E              | 81 |   |    |                       |                           |                     |   |   |               |  |  |  |  |  |  |
| Sida<br>Page |                        |                 |           |                |    |   |    |                       |                           |                     |   |   |               |  |  |  |  |  |  |
| 435          |                        |                 |           |                |    |   |    |                       |                           |                     |   |   |               |  |  |  |  |  |  |
| Pos          | Artikel nr<br>Part No. | Antal /Quantity |           |                |    |   |    |                       |                           |                     |   |   |               |  |  |  |  |  |  |
|              |                        | A               | B         | C              | D  | E |    |                       |                           |                     |   |   |               |  |  |  |  |  |  |
| 1            | 644612-4               | 1               | 1         | -              | -  | - |    | Motorlucka .....      | Engine cover .....        |                     | 5 |   |               |  |  |  |  |  |  |
| 2            | 321607-4               | 2               | 2         | -              | -  | - |    | Gångjärn .....        | Hinge .....               |                     | 4 |   |               |  |  |  |  |  |  |
| 3            | 321608-2               | 2               | 2         | -              | -  | - |    | Gångjärn .....        | Hinge .....               |                     | 4 |   |               |  |  |  |  |  |  |
| 4            | 950251-9               | 8               | 8         | -              | -  | - |    | Skruv .....           | Screw .....               |                     | 2 |   |               |  |  |  |  |  |  |
| 5            | 960140-2               | 2               | 2         | -              | -  | - |    | Bricka .....          | Washer .....              |                     | 2 |   |               |  |  |  |  |  |  |
| 6            | 941906-0               | 4               | 4         | -              | -  | - |    | Fjäderbricka .....    | Spring washer .....       |                     | 2 |   |               |  |  |  |  |  |  |
| 7            | 955825-5               | 4               | 4         | -              | -  | - |    | Mutter .....          | Nut .....                 |                     | 2 |   |               |  |  |  |  |  |  |
| 8            | 644617-3               | 1               | 1         | -              | -  | - |    | Kåpa .....            | Casing .....              |                     | 3 |   |               |  |  |  |  |  |  |
| 9            | 644620-7               | 2               | 2         | -              | -  | - |    | Spärr .....           | Inhibitor .....           |                     | 3 |   |               |  |  |  |  |  |  |
| 10           | 913099-8               | 2               | 2         | -              | -  | - |    | Bult .....            | Bolt .....                |                     | 2 |   |               |  |  |  |  |  |  |
| 11           | 907819-7               | 2               | 2         | -              | -  | - |    | Pinne .....           | Pin .....                 |                     | 2 |   |               |  |  |  |  |  |  |
| 12           | 644622-3               | 1               | 1         | -              | -  | - |    | Länkarm .....         | Link arm .....            |                     | 3 |   |               |  |  |  |  |  |  |
| 13           | 644652-0               | 1               | 1         | -              | -  | - |    | Länkarm .....         | Link arm .....            |                     | 3 |   |               |  |  |  |  |  |  |
| 14           | 945780-5               | 1               | 1         | -              | -  | - |    | Hållare .....         | Retainer .....            | (191694)            | 2 |   |               |  |  |  |  |  |  |
| 15           | 950227                 | 6               | 6         | -              | -  | - | NS | Skruv .....           | Screw .....               |                     | 2 |   |               |  |  |  |  |  |  |
| 16           | 941905-2               | 6               | 6         | -              | -  | - |    | Fjäderbricka .....    | Spring washer .....       |                     | 2 |   |               |  |  |  |  |  |  |
| 17           | 940092-0               | 6               | 6         | -              | -  | - |    | Mutter .....          | Nut .....                 |                     | 2 |   |               |  |  |  |  |  |  |
| 18           | (644115)               | 1               | -         | -              | -  | - | SP | Motoråpa, bakre ..... | Engine casing, rear ..... | 1) CH-2757          | 5 |   |               |  |  |  |  |  |  |
|              | 1562981-9              | 1               | -         | -              | -  | - |    | Motoråpa, bakre ..... | Engine casing, rear ..... | CH 2758-            | 5 |   |               |  |  |  |  |  |  |
|              | (644115)               | -               | 1         | -              | -  | - | SP | Motoråpa, bakre ..... | Engine casing, rear ..... | 1)                  | 5 |   |               |  |  |  |  |  |  |
|              | 1562981-9              | -               | 1         | -              | -  | - |    | Motoråpa, bakre ..... | Engine casing, rear ..... | SPCL S-3652,S-3653  | 5 |   |               |  |  |  |  |  |  |
| 19           | 1562926-4              | X               | X         | -              | -  | - |    | Tätninglist .....     | Sealing moulding .....    | LG 1422             | 2 |   |               |  |  |  |  |  |  |
| 20           | (1562949)              | 1               | 1         | -              | -  | - | SP | Tätninglist .....     | Sealing moulding .....    | REPL 1PCS 1562926-4 | 2 |   |               |  |  |  |  |  |  |
| 21           | 1505787-0              | X               | X         | -              | -  | - |    | Excenterlås .....     | Eccentric lock .....      |                     | 4 |   |               |  |  |  |  |  |  |
| 22           | 950022-4               | X               | X         | -              | -  | - |    | Skruv .....           | Screw .....               |                     | 2 |   |               |  |  |  |  |  |  |
| 23           | 941905-2               | X               | X         | -              | -  | - |    | Fjäderbricka .....    | Spring washer .....       |                     | 2 |   |               |  |  |  |  |  |  |
| 24           | 940092-0               | X               | X         | -              | -  | - |    | Mutter .....          | Nut .....                 |                     | 2 |   |               |  |  |  |  |  |  |
| 25           | (644164)               | 1               | -         | -              | -  | - | SP | Kåpa .....            | Cover .....               | 2) CH-2757          | 3 |   |               |  |  |  |  |  |  |
|              | 1562978-5              | 1               | -         | -              | -  | - |    | Kåpa .....            | Casing .....              | CH 2758-            | 3 |   |               |  |  |  |  |  |  |
|              | (644164)               | -               | 1         | -              | -  | - | SP | Kåpa .....            | Cover .....               | 2)                  | 3 |   |               |  |  |  |  |  |  |
|              | 1562978-5              | -               | 1         | -              | -  | - |    | Kåpa .....            | Casing .....              | SPCL S-3652,S-3653  | 3 |   |               |  |  |  |  |  |  |
| 26           | 1561860-6              | 2               | 2         | -              | -  | - |    | • Fäst krok .....     | • Attaching hook .....    | FOR 644164          | 3 |   |               |  |  |  |  |  |  |
| 27           | 321607-4               | 2               | -         | -              | -  | - |    | Gångjärn .....        | Hinge .....               |                     | 4 |   |               |  |  |  |  |  |  |
|              | 321607-4               | -               | 2         | -              | -  | - |    | Gångjärn .....        | Hinge .....               | SPCL S-3652,S-3653  | 4 |   |               |  |  |  |  |  |  |
| 28           | 321608-2               | 2               | -         | -              | -  | - |    | Gångjärn .....        | Hinge .....               |                     | 4 |   |               |  |  |  |  |  |  |
|              | 321608-2               | -               | 2         | -              | -  | - |    | Gångjärn .....        | Hinge .....               | SPCL S-3652,S-3653  | 4 |   |               |  |  |  |  |  |  |
| 29           | 1562829-0              | 4               | -         | -              | -  | - |    | Mutterplatta .....    | Nut plate .....           |                     | 3 |   |               |  |  |  |  |  |  |
|              | 1562829-0              | -               | 4         | -              | -  | - |    | Mutterplatta .....    | Nut plate .....           | SPCL S-3652,S-3653  | 3 |   |               |  |  |  |  |  |  |
| 30           | 950251-9               | 8               | -         | -              | -  | - |    | Skruv .....           | Screw .....               |                     | 2 |   |               |  |  |  |  |  |  |
|              | 950251-9               | -               | 8         | -              | -  | - |    | Skruv .....           | Screw .....               | SPCL S-3653,S-3653  | 2 |   |               |  |  |  |  |  |  |

1) REPL 1PCS 1562981-9, 2PCS 321607-4, 2PCS 321608-2, 4PCS 1562829-0, 8PCS 950251-9.

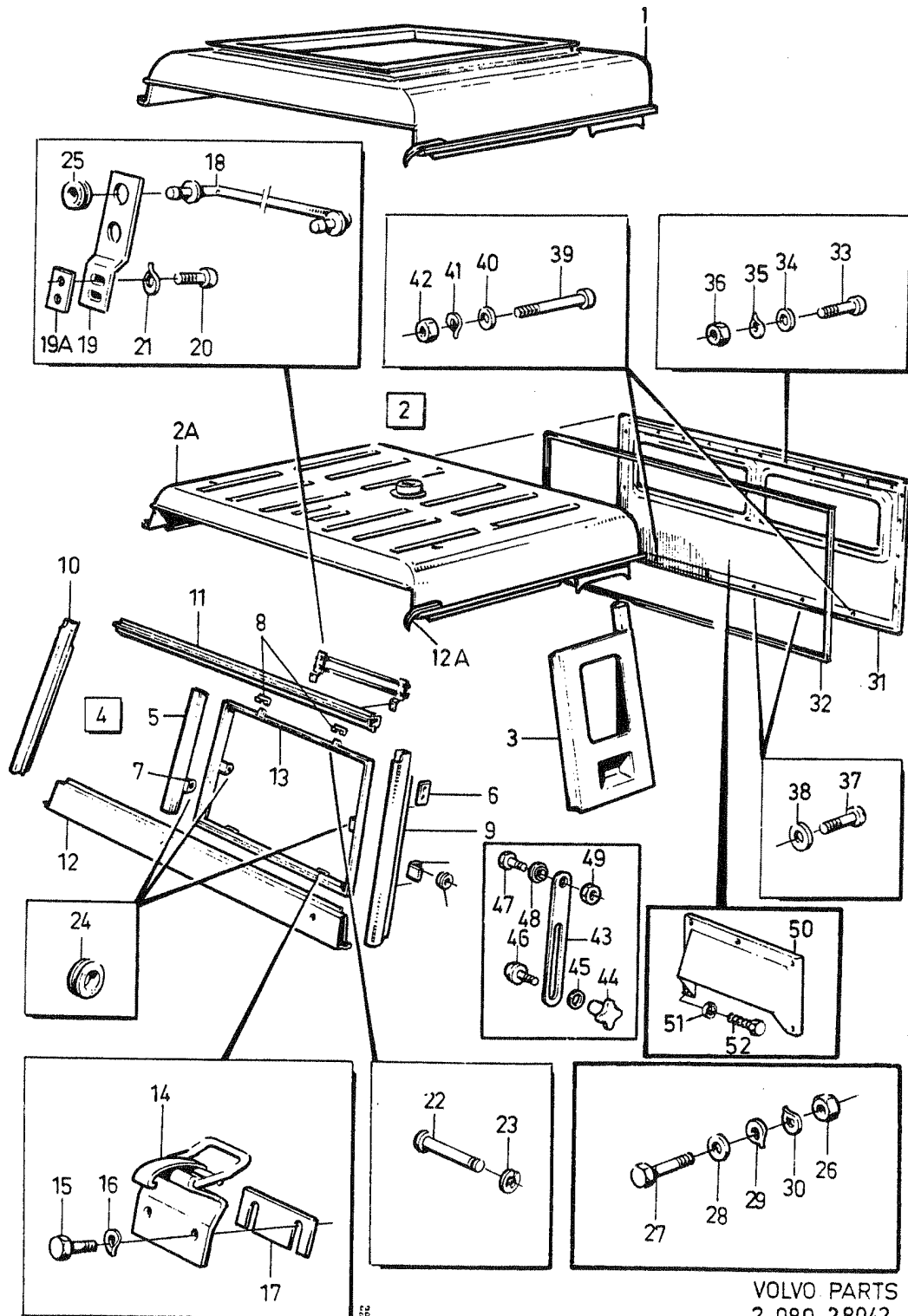
2) REPL 1PCS 1562978-5, 2PCS 321607-4, 2PCS 321608-2, 4PCS 1562829-0, 8PCS 950251-9.



VOLVO PARTS  
2 080 35005  
(33:4)



| A   |                        | L.H.D           |    |   |   |   | KAROSSE RISTOMME   |                      | BODY FRAME         |                     | Grupp  |
|-----|------------------------|-----------------|----|---|---|---|--------------------|----------------------|--------------------|---------------------|--------|
| B   |                        | R.H.D           |    |   |   |   | MONTERINGSDETALJER |                      | INSTALLATION PARTS |                     | Group  |
| C   |                        | CIVIL L.H.D     |    |   |   |   |                    |                      |                    |                     | 81     |
| D   |                        | CIVIL R.H.D     |    |   |   |   |                    |                      |                    |                     | Sida   |
| E   |                        |                 |    |   |   |   |                    |                      |                    |                     | Page   |
|     |                        |                 |    |   |   |   |                    |                      |                    |                     | 437    |
| Pos | Artikel nr<br>Part No. | Antal /Quantity |    |   |   |   | P<br>S             | Benämning            | Description        | Anmärkning<br>Notes | S<br>R |
|     |                        | A               | B  | C | D | E |                    |                      |                    |                     |        |
| 1   |                        | 1               | 1  | 1 | 1 | - | NS                 | Monteringssats ..... | Mounting kit ..... |                     |        |
| 2   | 955549-1               | X               | X  | X | - | - |                    | • Skruv .....        | • Screw .....      | 7/16 LG 45          | 2      |
|     | 955556-6               | X               | X  | X | X | - |                    | • Skruv .....        | • Screw .....      | 7/16 LG 89          | 2      |
|     | 940160-5               | -               | X  | - | X | - |                    | • Skruv .....        | • Screw .....      | 7/16 LG 38          | 2      |
| 3   | 120065-8               | X               | X  | X | X | - |                    | • Bricka .....       | • Washer .....     |                     | 2      |
| 4   | 1566835-3              | X               | X  | X | X | - |                    | • Mellanlägg .....   | • Spacer .....     |                     | 4      |
| 5   | 641165-6               | X               | X  | X | X | - |                    | • Mellanlägg .....   | • Spacer .....     | THK 4               | 3      |
| 6   | 1561871-3              | X               | X  | X | X | - |                    | • Mellanlägg .....   | • Spacer .....     | THK 8               | 3      |
| 7   | 950355-8               | X               | X  | X | X | - |                    | • Mutter .....       | • Nut .....        | 7/16                | 2      |
| 8   |                        | 1               | -  | - | - | - | NS                 | Monteringssats ..... | Mounting kit ..... | 6X6 HARDTOP         |        |
| 9   | 955550-9               | X               | -  | - | - | - |                    | • Skruv .....        | • Screw .....      | 7/16 LG 51          | 2      |
| 10  | 120065-8               | X               | -  | - | - | - |                    | • Bricka .....       | • Washer .....     |                     | 2      |
| 11  | 641165-6               | X               | -  | - | - | - |                    | • Mellanlägg .....   | • Spacer .....     | THK 4               | 3      |
| 12  | 1561871-3              | X               | -  | - | - | - |                    | • Mellanlägg .....   | • Spacer .....     | THK 8               | 3      |
| 13  | 950355-8               | X               | -  | - | - | - |                    | • Mutter .....       | • Nut .....        | 7/16                | 2      |
| 14  |                        | 1               | -  | - | - | - | NS                 | Monteringssats ..... | Mounting kit ..... | 4X4                 |        |
| 15  | 959809-5               | X               | -  | - | - | - |                    | • Skruv .....        | • Screw .....      | 7/16 LG 190         | 2      |
| 16  | 960144-4               | X               | -  | - | - | - |                    | • Bricka .....       | • Washer .....     | O.DIA 30            | 2      |
|     | 18725-2                | X               | -  | - | - | - |                    | • Bricka .....       | • Washer .....     | O.DIA 23            | 2      |
| 17  | 1561871-3              | X               | -  | - | - | - |                    | • Mellanlägg .....   | • Spacer .....     | THK 8               | 3      |
| 18  | 190621-3               | X               | -  | - | - | - |                    | • Bricka .....       | • Washer .....     | O.DIA 60            | 2      |
| 19  | 950355-8               | X               | -  | - | - | - |                    | • Mutter .....       | • Nut .....        | 7/16                | 2      |
| 20  |                        | 1               | -  | - | - | - | NS                 | Monteringssats ..... | Mounting kit ..... | 4X4                 |        |
|     |                        | -               | -  | 1 | 1 | - | NS                 | Monteringssats ..... | Mounting kit ..... |                     |        |
| 21  | 955550-9               | X               | -  | X | X | - |                    | • Skruv .....        | • Screw .....      | 7/16 LG 51          | 2      |
| 22  | 120065-8               | X               | -  | X | X | - |                    | • Bricka .....       | • Washer .....     |                     | 2      |
| 23  | 1561871-3              | X               | -  | X | X | - |                    | • Mellanlägg .....   | • Spacer .....     | THK 8               | 3      |
| 24  | 950355-8               | X               | -  | X | X | - |                    | • Mutter .....       | • Nut .....        | 7/16                | 2      |
| 25  |                        | -               | 1  | - | - | - | NS                 | Monteringssats ..... | Mounting kit ..... | HARDTOP             |        |
|     |                        | -               | -  | 1 | 1 | - | NS                 | Monteringssats ..... | Mounting kit ..... |                     |        |
| 26  | 959809-5               | X               | -  | X | X | - |                    | • Skruv .....        | • Screw .....      | 7/16 LG 190         | 2      |
| 27  | 960144-4               | X               | -  | - | - | - |                    | • Bricka .....       | • Washer .....     | O.DIA 30            | 2      |
| 28  | 641165-6               | X               | -  | X | X | - |                    | • Mellanlägg .....   | • Spacer .....     | THK 4               | 3      |
| 29  | 1561871-3              | X               | -  | X | X | - |                    | • Mellanlägg .....   | • Spacer .....     | THK 8               | 3      |
| 30  | 190621-3               | X               | -  | X | X | - |                    | • Bricka .....       | • Washer .....     | O.DIA 60            | 2      |
| 31  | 950355-8               | X               | -  | X | X | - |                    | • Mutter .....       | • Nut .....        | 7/16                | 2      |
| 32  | 1566882-9              | 4               | 4  | - | - | - |                    | Krampa .....         | Clamp .....        |                     | 5      |
| 33  | 1566344-6              | 2               | 2  | - | - | - |                    | Krampa .....         | Clamp .....        |                     | 5      |
| 34  | 1562263-2              | 4               | 4  | - | - | - |                    | Spännjärn .....      | Tensioner .....    |                     | 4      |
| 35  | 1566844-5              | 4               | 4  | - | - | - |                    | Kopp .....           | Cup .....          |                     | 5      |
| 36  | 1566845-2              | 4               | 4  | - | - | - |                    | Hylsa .....          | Sleeve .....       |                     | 4      |
| 37  | 1567557-2              | 4               | 4  | - | - | - |                    | Stödring .....       | Support ring ..... | (1566855)           | 5      |
| 38  | 640739-9               | 8               | 8  | - | - | - |                    | Bussning .....       | Bushing .....      |                     | 3      |
| 39  | 959806                 | 2               | 2  | - | - | - | NS                 | Skruv .....          | Screw .....        |                     |        |
| 40  | 950365-7               | 14              | 14 | - | - | - |                    | Låsmutter .....      | Lock nut .....     |                     | 2      |
| 41  | 944633-7               | 10              | 10 | - | - | - |                    | Bricka .....         | Washer .....       |                     | 2      |
| 42  | 190621-3               | 2               | 2  | - | - | - |                    | Bricka .....         | Washer .....       |                     | 2      |

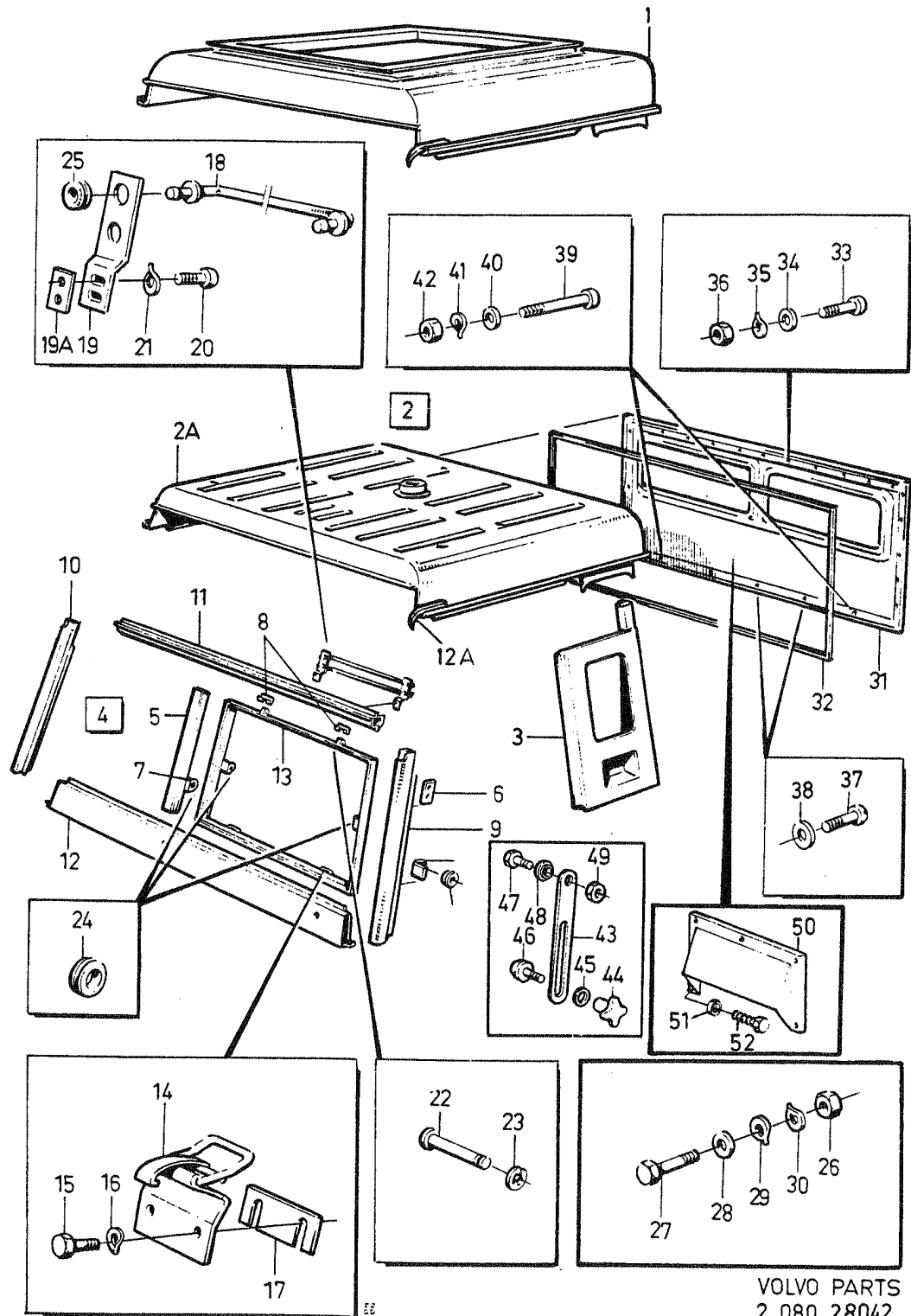


VOLVO PARTS  
 2 080 28042  
 (31:2)

| A   | L.H.D                  |       |    |   |   | TAKPARTI<br>FRÄMRE | ROOF SECTION<br>FRONT | Grupp<br>Group<br><b>81</b> |                            |                                     |                     |
|-----|------------------------|-------|----|---|---|--------------------|-----------------------|-----------------------------|----------------------------|-------------------------------------|---------------------|
|     | B                      | R.H.D |    |   |   |                    |                       |                             | Sida<br>Page<br>439        |                                     |                     |
| C   |                        |       |    |   |   |                    | P<br>S                | Benämning                   |                            | Description                         | Anmärkning<br>Notes |
| D   | Antal /Quantity        |       |    |   |   | E                  |                       |                             |                            |                                     |                     |
| E   | Artikel nr<br>Part No. | A     | B  | C | D |                    | E                     |                             |                            |                                     |                     |
| 1   | 1565460-1              | 1     | 1  | - | - | -                  |                       | Tak, främre .....           | Roof, front .....          | CANVAS                              | 5                   |
| 2   | 643424-5               | 1     | -  | - | - | -                  |                       | Överdel .....               | Upper section .....        |                                     | 6                   |
|     | 1560546-2              | -     | 1  | - | - | -                  |                       | Överdel .....               | Upper section .....        | MTL                                 | 6                   |
|     | 1560631-2              | -     | 1  | - | - | -                  |                       | Överdel .....               | Upper section .....        | UTL                                 | 6                   |
|     | (1563715)              | 1     | -  | - | - | -                  | SP                    | Överdel .....               | Upper section .....        | 1) CIVIL UTL<br>REPL 1PCS 1566046-7 | 6                   |
|     | 1566046-7              | 1     | -  | - | - | -                  |                       | Överdel .....               | Upper section .....        | 2) CIVIL UTL                        | 6                   |
|     | (1563716)              | -     | 1  | - | - | -                  | SP                    | Överdel .....               | Upper section .....        | 1) CIVIL UTL<br>REPL 1PCS 1566047-5 | 6                   |
| 2a  | 1566047-5              | -     | 1  | - | - | -                  |                       | Överdel .....               | Upper section .....        | 2) CIVIL UTL                        | 6                   |
|     | 644545-6               | 1     | -  | - | - | -                  |                       | • Tak .....                 | • Roof .....               |                                     | 5                   |
|     | 644545-6               | -     | 1  | - | - | -                  |                       | • Tak .....                 | • Roof .....               | UTL (1560632)                       | 5                   |
|     | 1560560-3              | -     | 1  | - | - | -                  |                       | • Tak, främre .....         | • Roof, front .....        | MTL                                 | 5                   |
|     | 1563713-5              | 1     | 1  | - | - | -                  |                       | • Tak, främre .....         | • Roof, front .....        | CIVIL                               | 5                   |
| 3   | 644551-4               | 1     | 1  | - | - | -                  |                       | • Sida, v .....             | • Side, l.h. ....          |                                     | 2                   |
|     | 644552-2               | 1     | 1  | - | - | -                  |                       | • Sida, h .....             | • Side, r.h. ....          |                                     | 2                   |
| 4   | 643242-1               | 1     | -  | - | - | -                  |                       | • Vindruteram .....         | • Windscreen frame .....   |                                     | 4                   |
|     | 1566040-0              | -     | 1  | - | - | -                  |                       | • Vindruteram .....         | • Windscreen frame .....   |                                     | 4                   |
|     | 1566039-2              | 1     | -  | - | - | -                  |                       | • Vindruteram .....         | • Windscreen frame .....   | 2) CIVIL                            | 4                   |
|     | 1566040-0              | -     | 1  | - | - | -                  |                       | • Vindruteram .....         | • Windscreen frame .....   | 1) CIVIL (1560363)                  | 4                   |
|     | 1566039-2              | 1     | -  | - | - | -                  |                       | • Vindruteram .....         | • Windscreen frame .....   | 1) CIVIL (1563714)                  | 4                   |
| 5   | 644500-1               | 1     | 1  | - | - | -                  |                       | • Pelare .....              | • Pillar .....             |                                     | 3                   |
| 6   | 1562236-8              | 2     | 4  | - | - | -                  |                       | • Fästplåt .....            | • Attaching plate .....    |                                     | 4                   |
|     | 1562236-8              | 4     | 4  | - | - | -                  |                       | • Fästplåt .....            | • Attaching plate .....    | CIVIL                               | 4                   |
| 7   | 1560169-3              | 2     | 4  | - | - | -                  |                       | • Fäste .....               | • Anchorage .....          | EXC CIVIL                           | 3                   |
|     | 1560169-3              | 4     | 4  | - | - | -                  |                       | • Fäste .....               | • Anchorage .....          | 2) CIVIL                            | 3                   |
| 8   | 1560148-7              | 2     | 4  | - | - | -                  |                       | • Gångjärn .....            | • Hinge .....              | EXC CIVIL                           | 3                   |
|     | 1560148-7              | 4     | 4  | - | - | -                  |                       | • Gångjärn .....            | • Hinge .....              | 2) CIVIL                            | 3                   |
| 9   | 644508-4               | 1     | 1  | - | - | -                  |                       | • Stolpe, v .....           | • Pillar, l.h. ....        |                                     | 3                   |
| 10  | 644509-2               | 1     | 1  | - | - | -                  |                       | • Stolpe, h .....           | • Pillar, r.h. ....        |                                     | 3                   |
| 11  | 644510-0               | 1     | 1  | - | - | -                  |                       | • Profil, övre .....        | • Profile, upper .....     |                                     | 3                   |
| 12  | 644515-9               | 1     | -  | - | - | -                  |                       | • Frontplåt .....           | • Front plate .....        |                                     | 2                   |
|     | 1560358-2              | -     | 1  | - | - | -                  |                       | • Frontplåt .....           | • Front plate .....        |                                     | 2                   |
| 12a | 1563019-7              | 1     | 1  | - | - | -                  |                       | • Dropplist, v .....        | • Drip moulding, l.h. .... |                                     | 4                   |
|     | 1563020-5              | 1     | 1  | - | - | -                  |                       | • Dropplist, h .....        | • Drip moulding, r.h. .... |                                     | 4                   |
| 13  | 1566677-9              | 1     | 1  | - | - | -                  |                       | Båge .....                  | Bow .....                  | 2) L.H (643620)                     | 4                   |
|     | 1566045-9              | 1     | 1  | - | - | -                  |                       | Båge .....                  | Bow .....                  | 2) R.H                              | 4                   |
|     | 1563693                | -     | 1  | - | - | -                  | NS                    | Båge, v .....               |                            | SPCL S-3652,S-3654                  |                     |
|     | 1563694                | -     | 1  | - | - | -                  | NS                    | Båge, h .....               |                            | SPCL S-3652,S-3654                  |                     |
| 14  | 1560140-4              | 2     | 4  | - | - | -                  |                       | Excenterlås .....           | Eccentric lock .....       | 2)                                  | 2                   |
|     | 1560140-4              | 4     | 4  | - | - | -                  |                       | Excenterlås .....           | Eccentric lock .....       | 2) CIVIL                            | 2                   |
|     | 1563711-9              | -     | 4  | - | - | -                  |                       | Excenterlås .....           | Eccentric lock .....       | SPCL S-3652, S-3653                 | 5                   |
| 15  | 955513-7               | 4     | 8  | - | - | -                  |                       | Skruv .....                 | Screw .....                |                                     | 2                   |
|     | 955513-7               | 8     | 8  | - | - | -                  |                       | Skruv .....                 | Screw .....                | CIVIL                               | 2                   |
| 16  | 941906-0               | 4     | 8  | - | - | -                  |                       | Fjäderbricka .....          | Spring washer .....        |                                     | 2                   |
|     | 941906-0               | 8     | 8  | - | - | -                  |                       | Fjäderbricka .....          | Spring washer .....        | CIVIL                               | 2                   |
|     | 955893-3               | 4     | 8  | - | - | -                  |                       | Bricka .....                | Washer .....               |                                     | 2                   |
|     | 955893-3               | 8     | 8  | - | - | -                  |                       | Bricka .....                | Washer .....               | CIVIL                               | 2                   |
| 17  | 1560145-3              | 10    | -  | - | - | -                  |                       | Mellanlägg .....            | Spacer .....               |                                     | 2                   |
|     | 1560145-3              | -     | 20 | - | - | -                  |                       | Mellanlägg .....            | Spacer .....               | SPCL S-3652, S-3653                 | 2                   |
| 18  | 1560174-3              | 2     | -  | - | - | -                  |                       | Stöd .....                  | Support .....              |                                     | 5                   |
|     | 1560174-3              | 4     | 4  | - | - | -                  |                       | Stöd .....                  | Support .....              | CIVIL                               | 5                   |
|     | 1560174-3              | -     | 4  | - | - | -                  |                       | Stöd .....                  | Support .....              | SPCL S-3652, S-3653                 | 5                   |
| 19  | 1560168-5              | 2     | -  | - | - | -                  |                       | Konsol .....                | Bracket .....              |                                     | 5                   |
|     | 1560168-5              | 4     | 4  | - | - | -                  |                       | Konsol .....                | Bracket .....              | CIVIL HARD TOP                      | 5                   |
|     | 1560168-5              | -     | 4  | - | - | -                  |                       | Konsol .....                | Bracket .....              | SPCL S-3652, S-3653                 | 5                   |
| 19a | 1566383-4              | 8     | 8  | - | - | -                  |                       | Mellanlägg .....            | Spacer .....               | CIVIL CANVAS                        | 3                   |
| 20  | 950022-4               | 4     | -  | - | - | -                  |                       | Skruv .....                 | Screw .....                |                                     | 2                   |
|     | 950022-4               | 8     | 8  | - | - | -                  |                       | Skruv .....                 | Screw .....                | CIVIL HARD TOP                      | 2                   |

1) Fast vindruteram. / Fixed windscreen frame.

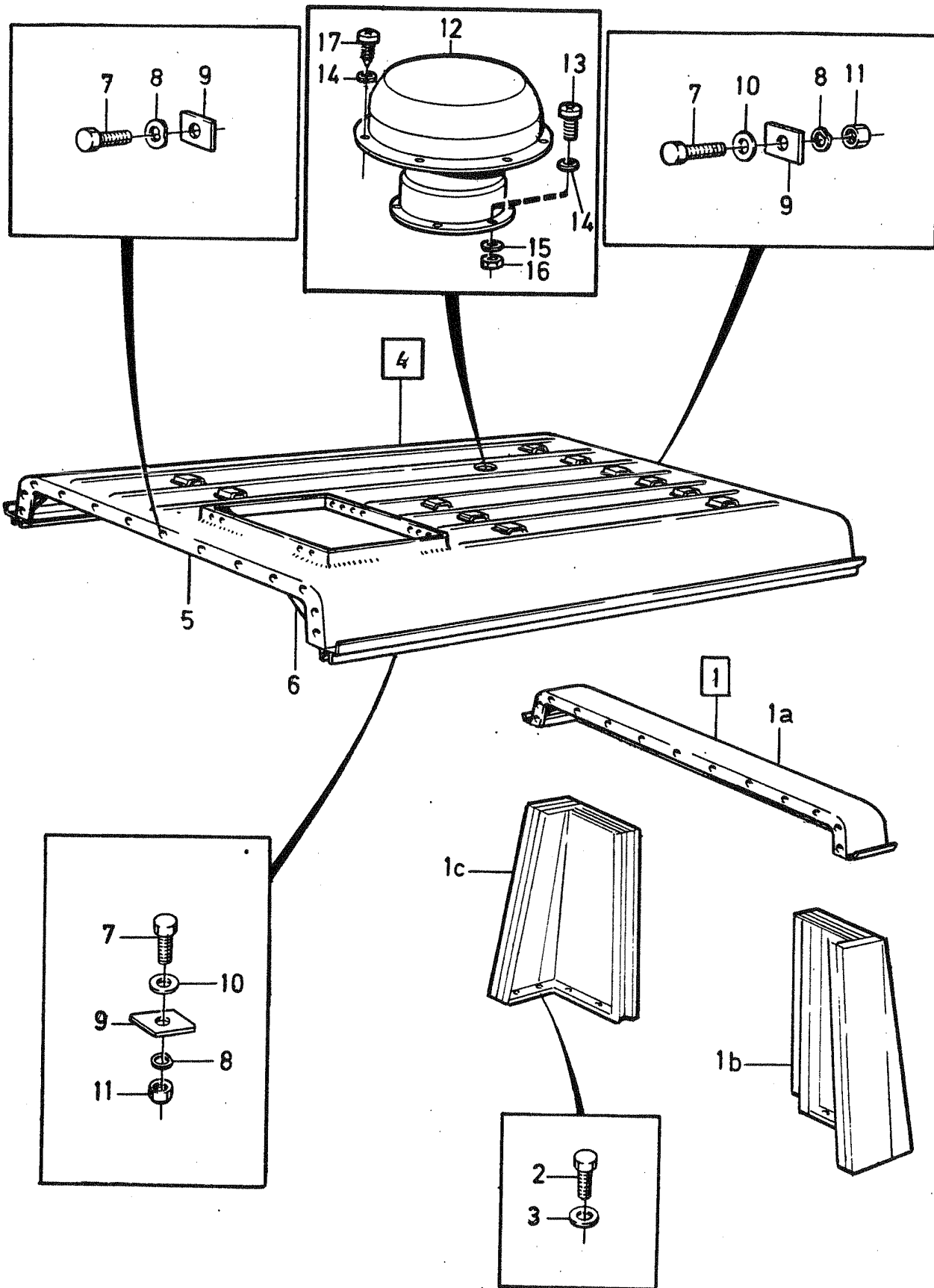
2) Öppningsbar vindruteram. / Openable windscreen frame.



VOLVO PARTS  
 2 080 28042  
 (31:2)

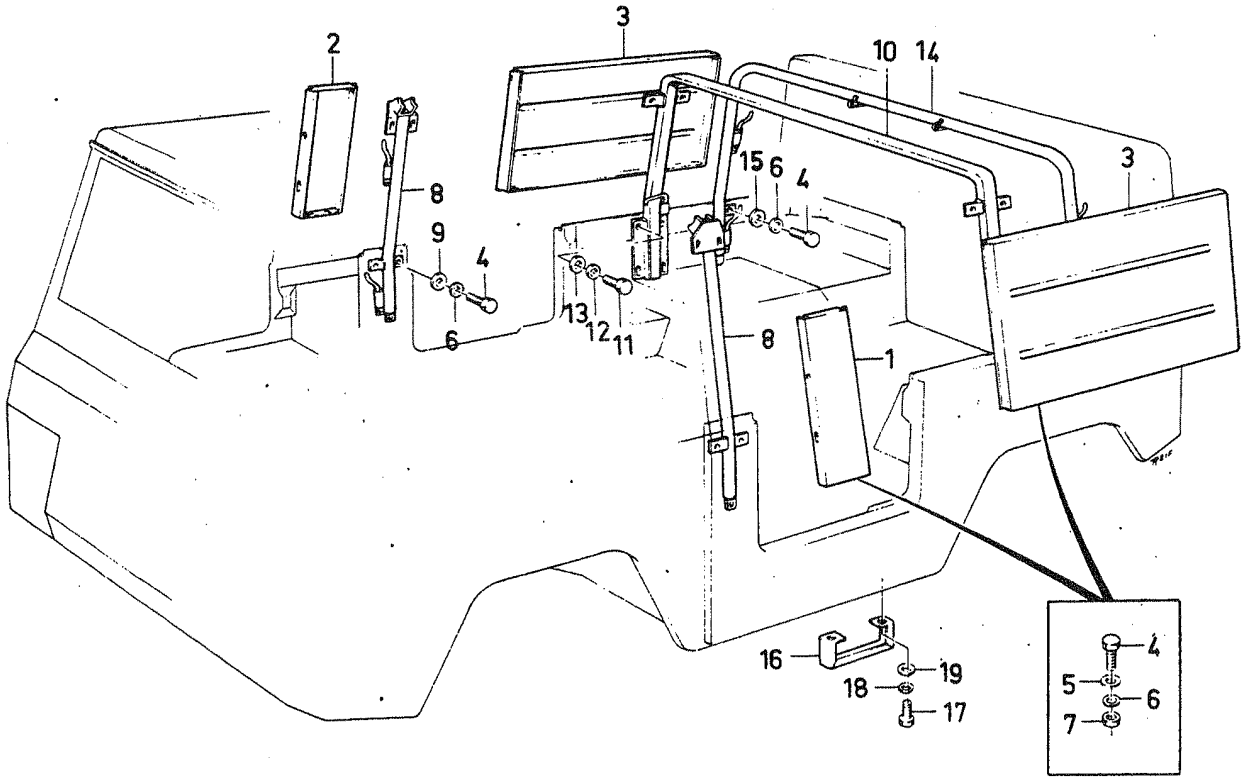
| A   | L.H.D                  | TAKPARTI<br>FRÄMRE |    |   |   |                    | ROOF SECTION<br>FRONT |                        | Grupp<br>Group                   |                     |        |
|-----|------------------------|--------------------|----|---|---|--------------------|-----------------------|------------------------|----------------------------------|---------------------|--------|
|     |                        |                    |    |   |   |                    |                       |                        | 81                               |                     |        |
| B   | R.H.D                  |                    |    |   |   |                    |                       |                        | Sida<br>Page                     |                     |        |
| C   |                        |                    |    |   |   |                    |                       |                        | 441                              |                     |        |
| D   |                        |                    |    |   |   |                    |                       |                        |                                  |                     |        |
| E   |                        |                    |    |   |   |                    |                       |                        |                                  |                     |        |
| Pos | Artikel nr<br>Part No. | Antal /Quantity    |    |   |   |                    | P<br>S                | Benämning              | Description                      | Anmärkning<br>Notes | S<br>R |
|     |                        | A                  | B  | C | D | E                  |                       |                        |                                  |                     |        |
| 21  | 950025-7               | 4                  | 4  | - | - | -                  | Skruv .....           | Screw .....            | CIVIL CANVAS                     | 2                   |        |
|     | 950022-4               | -                  | 8  | - | - | -                  | Skruv .....           | Screw .....            | SPCL S-3652, S-3653              | 2                   |        |
| 22  | 941905-2               | 4                  | -  | - | - | -                  | Fjäderbricka .....    | Spring washer .....    |                                  | 2                   |        |
|     | 941905-2               | 8                  | 8  | - | - | -                  | Fjäderbricka .....    | Spring washer .....    |                                  | 2                   |        |
| 23  | 941905-2               | -                  | 8  | - | - | -                  | Fjäderbricka .....    | Spring washer .....    | SPCL S-3652, S-3653              | 2                   |        |
|     | 944007-4               | 2                  | -  | - | - | -                  | Bull .....            | Bolt .....             |                                  | 2                   |        |
| 24  | 944405-0               | 4                  | 4  | - | - | -                  | Slang .....           | Hose .....             | 2) CIVIL (944408)                | 2                   |        |
|     | 955962-6               | 2                  | -  | - | - | -                  | Spärring .....        | Retaining ring .....   |                                  | 2                   |        |
| 25  | 955962-6               | 4                  | 4  | - | - | -                  | Spärring .....        | Retaining ring .....   | 2) CIVIL                         | 2                   |        |
|     | 631724-2               | X                  | X  | - | - | -                  | Gummibussning .....   | Rubber bushing .....   |                                  | 6                   |        |
| 26  | 91395-4                | X                  | X  | - | - | -                  | Gummibussning .....   | Rubber bushing .....   |                                  | 2                   |        |
| 27  | 955827-1               | 2                  | 2  | - | - | -                  | Mutter .....          | Nut .....              |                                  | 2                   |        |
|     | 940114-2               | 6                  | 6  | - | - | -                  | Skruv .....           | Screw .....            |                                  | 2                   |        |
| 28  | 940135-7               | 6                  | 6  | - | - | -                  | Skruv .....           | Screw .....            |                                  | 2                   |        |
|     | 955524-4               | 6                  | 6  | - | - | -                  | Skruv .....           | Screw .....            | (940135-7)                       | 2                   |        |
| 29  | 940141                 | 6                  | 6  | - | - | NS<br>Bricka ..... | Washer .....          |                        | 2                                |                     |        |
| 30  | 942336-9               | 6                  | 6  | - | - | -                  | Fjäderbricka .....    | Spring washer .....    |                                  | 2                   |        |
| 31  | 941907-8               | 6                  | 6  | - | - | -                  | Fjäderbricka .....    | Spring washer .....    |                                  | 4                   |        |
|     | 1561262-5              | -                  | 1  | - | - | -                  | Ryggplåt .....        | Rear wall .....        | 4X4 INCL S-3780                  | 4                   |        |
| 32  | 1560208-9              | -                  | 1  | - | - | -                  | Ryggplåt .....        | Rear wall .....        | 6X6 INCL S-3781 S-3802<br>S-3736 | 4                   |        |
|     | 1560321-0              | 1                  | -  | - | - | -                  | Ryggplåt .....        | Rear wall .....        | S-3705 S-3761                    | 5                   |        |
| 33  | 1566304-0              | 1                  | -  | - | - | -                  | Ryggplåt .....        | Rear wall .....        | TGB 20                           | 5                   |        |
|     | 1560337-6              | 2                  | 2  | - | - | -                  | Tätninglist .....     | Sealing moulding ..... | L.H.D S-3780,TGB 20              | 2                   |        |
| 34  | 1560338-4              | 2                  | 2  | - | - | -                  | Tätninglist .....     | Sealing moulding ..... | L.H.D S-3780,TGB 20              | 2                   |        |
|     | 950046-3               | 21                 | 21 | - | - | -                  | Skruv .....           | Screw .....            | L.H.D S-3780,TGB 20              | 2                   |        |
| 35  | 947391-9               | 21                 | 21 | - | - | -                  | Plastbricka .....     | Plastic washer .....   | L.H.D S-3780,TGB 20              | 2                   |        |
| 36  | 960140-2               | 21                 | 21 | - | - | -                  | Bricka .....          | Washer .....           | L.H.D S-3780,TGB 20              | 2                   |        |
| 37  | 955825-5               | 21                 | 21 | - | - | -                  | Mutter .....          | Nut .....              | L.H.D S-3780,TGB 20              | 2                   |        |
| 38  | 950059-6               | 3                  | 3  | - | - | -                  | Skruv .....           | Screw .....            | L.H.D S-3780,TGB 20              | 2                   |        |
| 39  | 947757-1               | 3                  | 3  | - | - | -                  | Bricka .....          | Washer .....           | L.H.D S-3780,TGB 20              | 2                   |        |
| 40  | 955526-9               | 2                  | 2  | - | - | -                  | Skruv .....           | Screw .....            | L.H.D S-3780,TGB 20              | 2                   |        |
| 41  | 947757-1               | 2                  | 2  | - | - | -                  | Bricka .....          | Washer .....           | L.H.D S-3780,TGB 20              | 2                   |        |
| 42  | 941907-8               | 2                  | 2  | - | - | -                  | Fjäderbricka .....    | Spring washer .....    | L.H.D S-3780,TGB 20              | 2                   |        |
| 43  | 955826-3               | 2                  | 2  | - | - | -                  | Mutter .....          | Nut .....              | L.H.D S-3780,TGB 20              | 2                   |        |
| 44  | 1566779-3              | -                  | 4  | - | - | -                  | Reglerskena .....     | Control rail .....     | 2) (MAL) SEN UTF                 | 5                   |        |
| 45  | 1566813-0              | -                  | 4  | - | - | -                  | Låsvred .....         | Latch .....            | 2) (MAL) SEN UTF                 | 4                   |        |
| 46  | 191172-6               | -                  | 4  | - | - | -                  | Bricka .....          | Washer .....           | 2) (MAL) SEN UTF                 | 2                   |        |
| 47  | 1566776-9              | -                  | 4  | - | - | -                  | Skruv .....           | Screw .....            | 2) (MAL) SEN UTF                 | 4                   |        |
| 48  | 955297-7               | -                  | 4  | - | - | -                  | Skruv .....           | Screw .....            | 2) (MAL) SEN UTF                 | 2                   |        |
| 49  | 1566778-5              | -                  | 4  | - | - | -                  | Bricka .....          | Washer .....           | 2) (MAL) SEN UTF                 | 5                   |        |
| 50  | 963106-0               | -                  | 4  | - | - | -                  | Låsmutter .....       | Lock nut .....         | 2) (MAL) SEN UTF                 | 2                   |        |
| 51  | 1566876-7              | 1                  | -  | - | - | -                  | Plåt .....            | Plate .....            | TGB 20                           | 5                   |        |
| 52  | 960136-0               | 5                  | -  | - | - | -                  | Bricka .....          | Washer .....           | TGB 20                           | 2                   |        |
|     | 955119-3               | 5                  | -  | - | - | -                  | Skruv .....           | Screw .....            | TGB 20                           | 2                   |        |

2) Öppningsbar vindruteram. / Openable windscreen frame.



VOLVO PARTS  
 2 080 35006  
 (31:3)

| A   | 4 X4                   | TAKPARTI<br>BAKRE |    |    |   |   | ROOF SECTION<br>REAR |                    |                          | Grupp<br>Group      |        |
|-----|------------------------|-------------------|----|----|---|---|----------------------|--------------------|--------------------------|---------------------|--------|
|     | B                      |                   |    |    |   |   |                      |                    |                          | 6 X6                | 81     |
| C   | CIVIL                  | L.H.D             |    |    |   |   |                      |                    |                          | Sida<br>Page        |        |
| D   |                        |                   |    |    |   |   |                      |                    |                          | 443                 |        |
| E   |                        |                   |    |    |   |   |                      |                    |                          |                     |        |
| Pos | Artikel nr<br>Part No. | Antal /Quantity   |    |    |   |   | P<br>S               | Benämning          | Description              | Anmärkning<br>Notes | S<br>R |
|     |                        | A                 | B  | C  | D | E |                      |                    |                          |                     |        |
| 1   | 1563855                | -                 | -  | 1  | - | - | NS                   | Tak, bakre .....   | Roof, rear .....         | UTL                 |        |
| 1a  | 1567771-9              | 1                 | 1  | -  | - | - |                      | Tak, bakre .....   | Roof, rear .....         |                     | 6      |
| 1b  | 1567772-7              | 1                 | 1  | -  | - | - |                      | Hörnplåt, v .....  | Corner panel, l.h. ....  |                     | 5      |
| 1c  | 1567773-5              | 1                 | 1  | -  | - | - |                      | Hörnplåt, h .....  | Corner panel, r.h. ....  |                     | 5      |
| 2   | 955524-4               | 2                 | 2  | 2  | - | - |                      | Skruv .....        | Screw .....              |                     | 2      |
|     | 940114-2               | 4                 | 4  | 4  | - | - |                      | Skruv .....        | Screw .....              |                     | 2      |
| 3   | 960141-0               | 2                 | 2  | 2  | - | - |                      | Bricka .....       | Washer .....             |                     | 2      |
|     | 960142-8               | 4                 | 4  | 4  | - | - |                      | Bricka .....       | Washer .....             |                     | 2      |
| 4   | 1563060-1              | 1                 | -  | -  | - | - |                      | Tak .....          | Roof .....               |                     | 5      |
|     | 1560505-8              | -                 | 1  | -  | - | - |                      | Tak .....          | Roof .....               |                     | 5      |
|     | 1563740-8              | -                 | -  | 1  | - | - |                      | Tak, främre .....  | Roof, front .....        |                     | 5      |
| 5   | 644394-9               | 2                 | 2  | 2  | - | - |                      | • Fästbalk .....   | • Attaching member ..... |                     | 4      |
| 6   | 644461-6               | 10                | 14 | 10 | - | - |                      | • Stagbalk .....   | • Stay member .....      |                     | 4      |
| 7   | 940135-7               | 40                | 38 | 40 | - | - |                      | Skruv .....        | Screw .....              |                     | 2      |
| 8   | 941907-8               | 40                | 38 | 40 | - | - |                      | Fjäderbricka ..... | Spring washer .....      |                     | 2      |
| 9   | 947556                 | 40                | 38 | 40 | - | - | NS                   | Bricka .....       | Washer .....             |                     | 2      |
| 10  | 955894-1               | 25                | 8  | 25 | - | - |                      | Bricka .....       | Washer .....             |                     | 2      |
| 11  | 955826-3               | 25                | 8  | 25 | - | - |                      | Mutter .....       | Nut .....                |                     | 2      |
| 12  | 1562180-8              | 1                 | 1  | 1  | - | - |                      | Ventilator .....   | Ventilator .....         | S-8934              | 5      |
| 13  | 950029-9               | 3                 | 3  | 3  | - | - |                      | Skruv .....        | Screw .....              |                     | 2      |
| 14  | 960138-6               | 6                 | 6  | 6  | - | - |                      | Bricka .....       | Washer .....             |                     | 2      |
| 15  | 941905-2               | 3                 | 3  | 3  | - | - |                      | Fjäderbricka ..... | Spring washer .....      |                     | 2      |
| 16  | 940092-0               | 3                 | 3  | 3  | - | - |                      | Mutter .....       | Nut .....                |                     | 2      |
| 17  | 955143-3               | 3                 | 3  | 3  | - | - |                      | Skruv .....        | Screw .....              |                     | 2      |



VOLVO PARTS  
2 080 13981



| A   | 4X4                    | KAROSSIDA       |    |   |   |   | BODY SIDE               |                         | Grupp               |                     |        |
|-----|------------------------|-----------------|----|---|---|---|-------------------------|-------------------------|---------------------|---------------------|--------|
|     |                        |                 |    |   |   |   |                         |                         | Group               |                     |        |
| B   | 6X6                    |                 |    |   |   |   |                         |                         | 81                  |                     |        |
| C   |                        |                 |    |   |   |   |                         |                         | Sida                |                     |        |
| D   |                        |                 |    |   |   |   |                         |                         | Page                |                     |        |
| E   |                        |                 |    |   |   |   | L.H.D                   |                         | 445                 |                     |        |
| Pos | Artikel nr<br>Part No. | Antal /Quantity |    |   |   |   | P<br>S                  | Benämning               | Description         | Anmärkning<br>Notes | S<br>R |
|     |                        | A               | B  | C | D | E |                         |                         |                     |                     |        |
| 1   | 1563059-3              | 1               | 1  | - | - | - | Sidopanel, främre ..... | Side panel, front ..... |                     | 3                   |        |
|     | 643745-3               | 1               | 1  | - | - | - | • Ytterplåt .....       | • Outer panel .....     |                     | 5                   |        |
| 2   | 1563063-5              | 1               | 1  | - | - | - | Sidopanel, främre ..... | Side panel, front ..... |                     | 3                   |        |
|     | 643745-3               | 1               | 1  | - | - | - | • Ytterplåt .....       | • Outer panel .....     |                     | 5                   |        |
| 3   | 1563058-5              | 1               | -  | - | - | - | Sidopanel, bakre .....  | Side panel, rear .....  | L.H                 | 3                   |        |
|     | 1563065-0              | 1               | -  | - | - | - | Sidopanel, bakre .....  | Side panel, rear .....  | R.H                 | 3                   |        |
|     | 643760-2               | 1               | -  | - | - | - | • Ytterplåt .....       | • Outer panel .....     |                     | 5                   |        |
|     | 1560564-5              | -               | 1  | - | - | - | Sidopanel, bakre .....  | Side panel, rear .....  | L.H                 | 3                   |        |
|     | 1562730-0              | -               | 1  | - | - | - | Sidopanel, bakre .....  | Side panel, rear .....  | R.H                 | 3                   |        |
| 4   | 940135-7               | 14              | 8  | - | - | - | Skruv .....             | Screw .....             | LG 22               | 2                   |        |
|     | 955524-4               | 18              | 18 | - | - | - | Skruv .....             | Screw .....             | LG 19               | 2                   |        |
| 5   | 960141-0               | 18              | 22 | - | - | - | Bricka .....            | Washer .....            |                     | 2                   |        |
| 6   | 941907-8               | 24              | 26 | - | - | - | Fjäderbricka .....      | Spring washer .....     |                     | 2                   |        |
| 7   | 955826-3               | 4               | 4  | - | - | - | Mutter .....            | Nut .....               |                     | 2                   |        |
| 8   | 1560676-7              | 1               | -  | - | - | - | Rörstag .....           | Tubular stay .....      |                     | 3                   |        |
|     | 644199-2               | 1               | -  | - | - | - | Stötta .....            | Stanchion .....         |                     | 3                   |        |
| 9   | 955894-1               | 6               | -  | - | - | - | Bricka .....            | Washer .....            |                     | 2                   |        |
| 10  | 644281-8               | 1               | 1  | - | - | - | Takbåge .....           | Roof arch .....         |                     | 6                   |        |
| 11  | 955534-3               | 8               | 8  | - | - | - | Skruv .....             | Screw .....             |                     | 2                   |        |
| 12  | 942336-9               | 8               | 8  | - | - | - | Fjäderbricka .....      | Spring washer .....     |                     | 2                   |        |
| 13  | 940097-9               | 8               | 8  | - | - | - | Bricka .....            | Washer .....            |                     | 2                   |        |
| 14  | 644250-3               | 1               | 2  | - | - | - | Skyddsåge .....         | Roll-over bar .....     | 6X6 CH-3961         | 6                   |        |
|     | 644250-3               | -               | 1  | - | - | - | Skyddsåge .....         | Roll-over bar .....     | CH 3962-            | 6                   |        |
|     | 644199-2               | -               | 1  | - | - | - | Stötta .....            | Stanchion .....         | CH 3962-            | 3                   |        |
|     | 1560676-7              | -               | 1  | - | - | - | Rörstag .....           | Tubular stay .....      | CH 3962-            | 3                   |        |
| 15  | 955894-1               | 4               | 8  | - | - | - | Bricka .....            | Washer .....            |                     | 2                   |        |
| 16  | 1560568-6              | 2               | -  | - | - | - | Fotsteg .....           | Foot step .....         |                     | 4                   |        |
|     | 1560568-6              | -               | 2  | - | - | - | Fotsteg .....           | Foot step .....         | SPCL S-3652, S-3653 | 4                   |        |
| 17  | 940114-2               | 4               | -  | - | - | - | Skruv .....             | Screw .....             |                     | 2                   |        |
|     | 940114-2               | -               | 4  | - | - | - | Skruv .....             | Screw .....             | SPCL S-3652, S-3653 | 2                   |        |
| 18  | 942336-9               | 4               | -  | - | - | - | Fjäderbricka .....      | Spring washer .....     |                     | 2                   |        |
|     | 942336-9               | -               | 4  | - | - | - | Fjäderbricka .....      | Spring washer .....     | SPCL S-3652, S-3653 | 2                   |        |
| 19  | 940097-9               | 4               | -  | - | - | - | Bricka .....            | Washer .....            |                     | 2                   |        |
|     | 940097-9               | -               | 4  | - | - | - | Bricka .....            | Washer .....            | SPCL S-3652, S-3653 | 2                   |        |