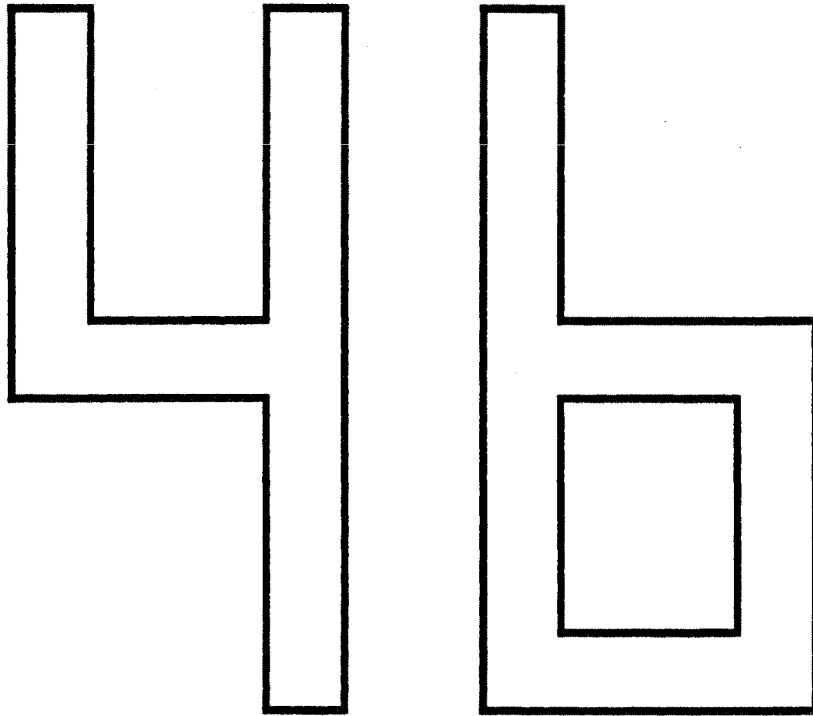
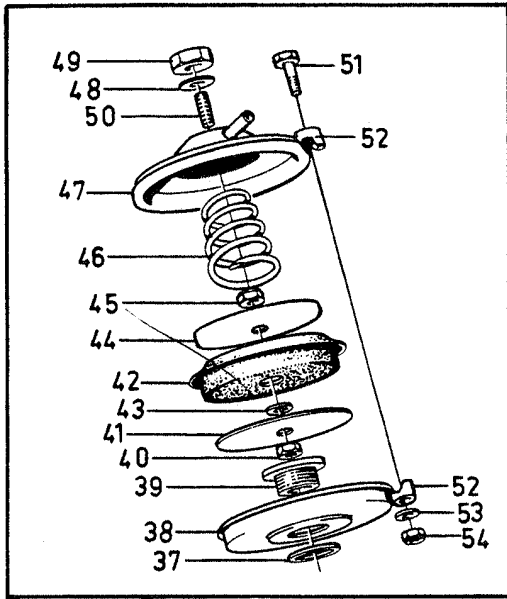


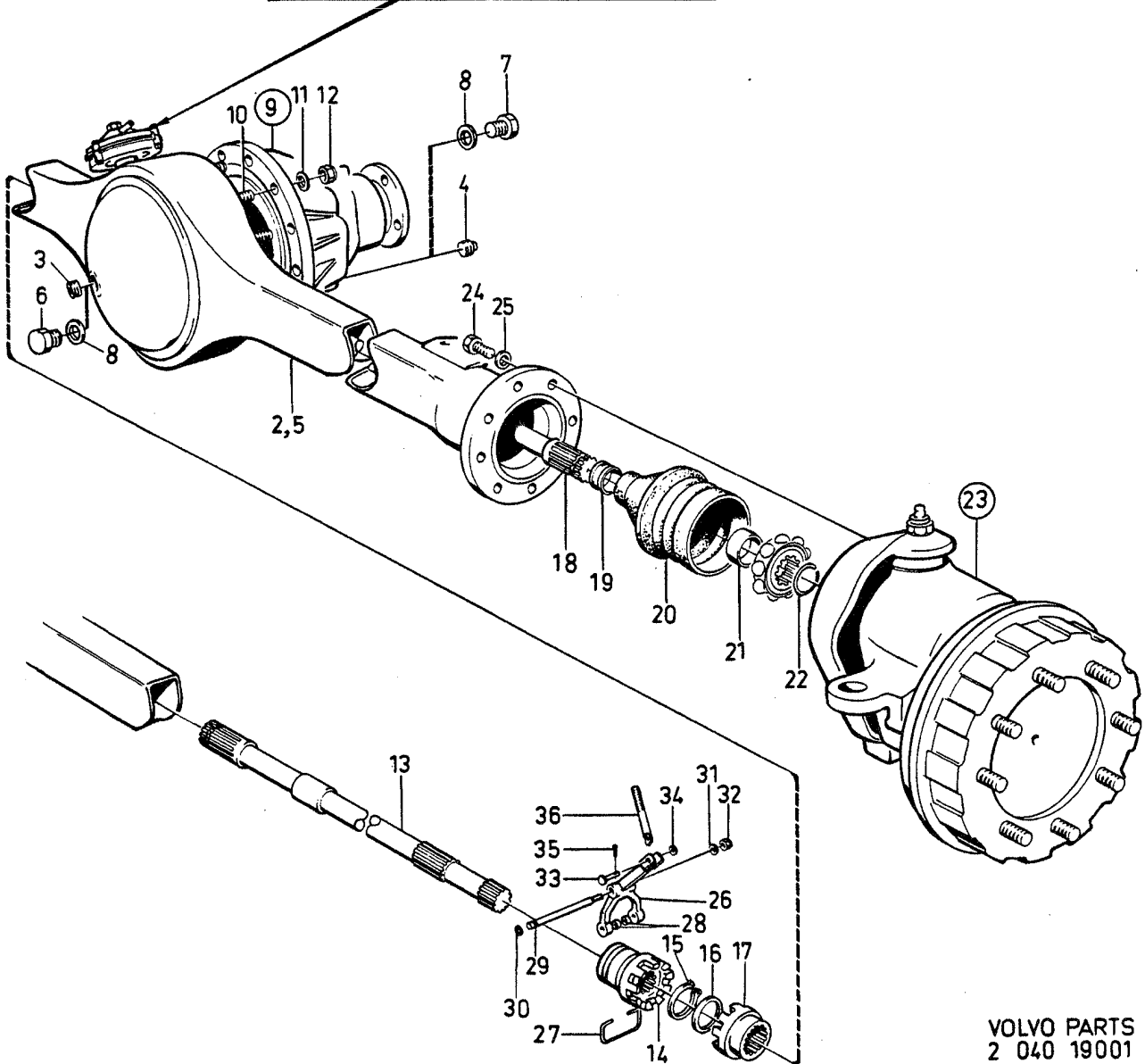
BAKAXEL / REAR AXLE



A						UNDERGRUPP		SUB GROUP		Grupp	
						BAKAXEL		REAR AXLE		Group	
										46	
										Sida	
										Page	
B										295	
C											
D											
E											
Pos	Artikel nr Part No.	Antal /Quantity					P S	Benämning	Description	Anmärkning Notes	S R
		A	B	C	D	E					
		-	-	-	-	-		Drivande framaxel	Driven front axle		
		-	-	-	-	-		UTV 6.00/1,7.10/1	UTV 6.00/1,7.10/1	SEE 46-297	
		-	-	-	-	-		UTV 7.56/1, TGB20	UTV 7.56/1, TGB20	SEE 46-301	
		-	-	-	-	-		Bakaxel bakre	Rear axle rear		
		-	-	-	-	-		6X6, UTV 6.00/1, 7.10/1 ...	6X6, UTV 6.00/1, 7.10/1 ...	SEE 46-303	
		-	-	-	-	-		TGB20	TGB20	SEE 46-307	
		-	-	-	-	-		6X6, UTV 7.10/1	6X6, UTV 7.10/1	SEE 46-309	
		-	-	-	-	-		Bakaxel främre	Rear axle front		
		-	-	-	-	-		TGB20	TGB20	SEE 46-313	
		-	-	-	-	-		Reglage differentialspärr framhjulsdraft	Controls diff.lock front wheel drive	SEE 46-329	



1



VOLVO PARTS
2 040 19001

A	644756						DRIVANDE FRAMAXEL	DRIVEN FRONT AXLE		Grupp Group	46
	B	1520000									
C	1520340						UTV 6,00/1, 7,10/1.				
D											
E											
Pos	Artikel nr Part No.	Antal /Quantity					P S	Benämning	Description	Anmärkning Notes	S R
		A	B	C	D	E					
1	(644756)	1	-	-	-	-	SP	Framaxel	Front axle	1) R.H.D HJB2300 REPL 1PCS 1520431-6.	
	(1520000)	-	1	-	-	-	SP	Framaxel	Front axle	2) UTV 7,10/1. 4X4 R.H.D 6X6 HJB2530 ALTER 1 REPL 1PCS 1520430-8.	
	(1520340)	-	-	1	-	-	SP	Framaxel	Front axle	3) UTV 7,10/1. 6X6 L.H.D ALTER 2 REPL 1PCS 1520430-8.	4
	1520431-6	1	-	-	-	-		Framaxel	Front axle	UTV 6,00/1.	5
	1520430-8	-	1	1	-	-		Framaxel	Front axle	UTV 7,10/1.INCL SPCL S-3758, S-3780, S-3781, S-3761	5
2		1	1	-	-	-	NS	•Framaxelkåpa	•Front axle casing	ALTER 1 REPL ALTER 2	
	(643270)	1	1	-	-	-	SP	••Framaxelkåpa	••Front axle casing	4)	
3	952358-0	1	1	-	-	-		••Plugg	••Plug	1/2"X14	2
4	951901-8	1	1	-	-	-		••Plugg	••Plug	1/2"X14	2
5		1	1	1	-	-	NS	•Framaxelkåpa	•Front axle casing	ALTER 2	
	1522469-4	1	1	1	-	-		••Framaxelkåpa	••Front axle casing		5
6	960634-4	1	1	1	-	-		••Plugg	••Plug	M22X1,5	2
7	947585-6	1	1	1	-	-		••Plugg	••Plug	M22X1,5	2
8	18677-5	2	2	2	-	-		••Packning	••Gasket		2
9	(644703)	1	-	-	-	-	SP	•Centrumväxel	•Final drive	UTV 2,91/1. REPL 1PCS 1562048-7.	
	(642736)	-	1	1	-	-	SP	•Centrumväxel	•Final drive	UTV 3,44/1. REPL 1PCS 1562047-9.	
		-	-	-	-	-		••SEE 46•315	••SEE 46•315		
	1562048-7	1	-	-	-	-		•Centrumväxel	•Differential carrier	5) UTV 2,91/1	5
	1562047-9	-	1	1	-	-		•Centrumväxel	•Differential carrier	5) UTV. 3,44/1	5
		-	-	-	-	-		••SEE 46•317	••SEE 46•317		
10	643737-0	12	12	12	-	-		•Skruv	•Screw		3
11	961170-8	12	12	12	-	-		•Bricka	•Washer		2
12	950354-1	12	12	12	-	-		•Låsmutter	•Lock nut		2
13	644069-7	1	1	1	-	-		•Drivaxel, h	•Drive shaft, r.h.		3
14	643883-2	1	1	1	-	-		•Medbringare	•Companion flange		3
15	944100-7	1	1	1	-	-		•Spårring	•Retaining ring		3
16	944101-5	1	1	1	-	-		•Bricka	•Washer		3
17	643964-0	1	1	1	-	-		•Klokoppling	•Dog clutch		3
18	644070-5	1	1	1	-	-		•Drivaxel, v	•Drive shaft, l.h.		3
19	639261-7	2	2	2	-	-		•Bussning	•Bushing		3
20	1563012-2	2	2	2	-	-		•Kåpa	•Cover		3
21	634581-3	2	2	2	-	-		•Tryckbricka	•Thrust washer		3
22	947614-4	2	2	2	-	-		•Spårring	•Retaining ring		2
23	(642408)	1	1	-	-	-	SP	•Hjulväxel	•Wheel gear	REPL 1PCS 1522922-2.	
	(642409)	1	1	-	-	-	SP	•Hjulväxel	•Wheel gear	REPL 1PCS 1522923-0.	4
	1522922-2	1	1	1	1	-		•Hjulväxel, v	•Wheel gear, l.h.		3
	1522923-0	1	1	1	1	-		•Hjulväxel, h	•Wheel gear, r.h.		3
		-	-	-	-	-		••SEE 46•323	••SEE 46•323		
24	955561-6	16	16	16	-	-		•Skruv	•Screw		2
25	940280-1	16	16	16	-	-		•Fjäderbricka	•Spring washer		2
26	643382-5	1	1	1	-	-		•Skiftgaffel	•Selector fork		3
27	637774-1	1	1	1	-	-		•Låsbygel	•Lock brace		3
28	637773-3	2	2	2	-	-		•Tapp	•Pin		2
29	643381-7	1	1	1	-	-		•Lagertapp	•Stub		3
30	955981-6	1	1	1	-	-		•O-ring	•O-ring		2
☆ 31	947620-1	1	1	1	-	-		•Packning	•Gasket	(11992)	2

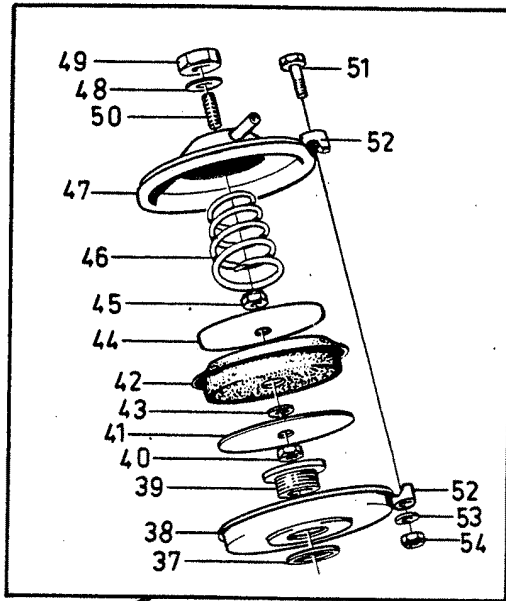
1) Civill. / For civilian use.

2) Hjulcylinder 1 1/8". / Wheel brake cylinder 1 1/8".

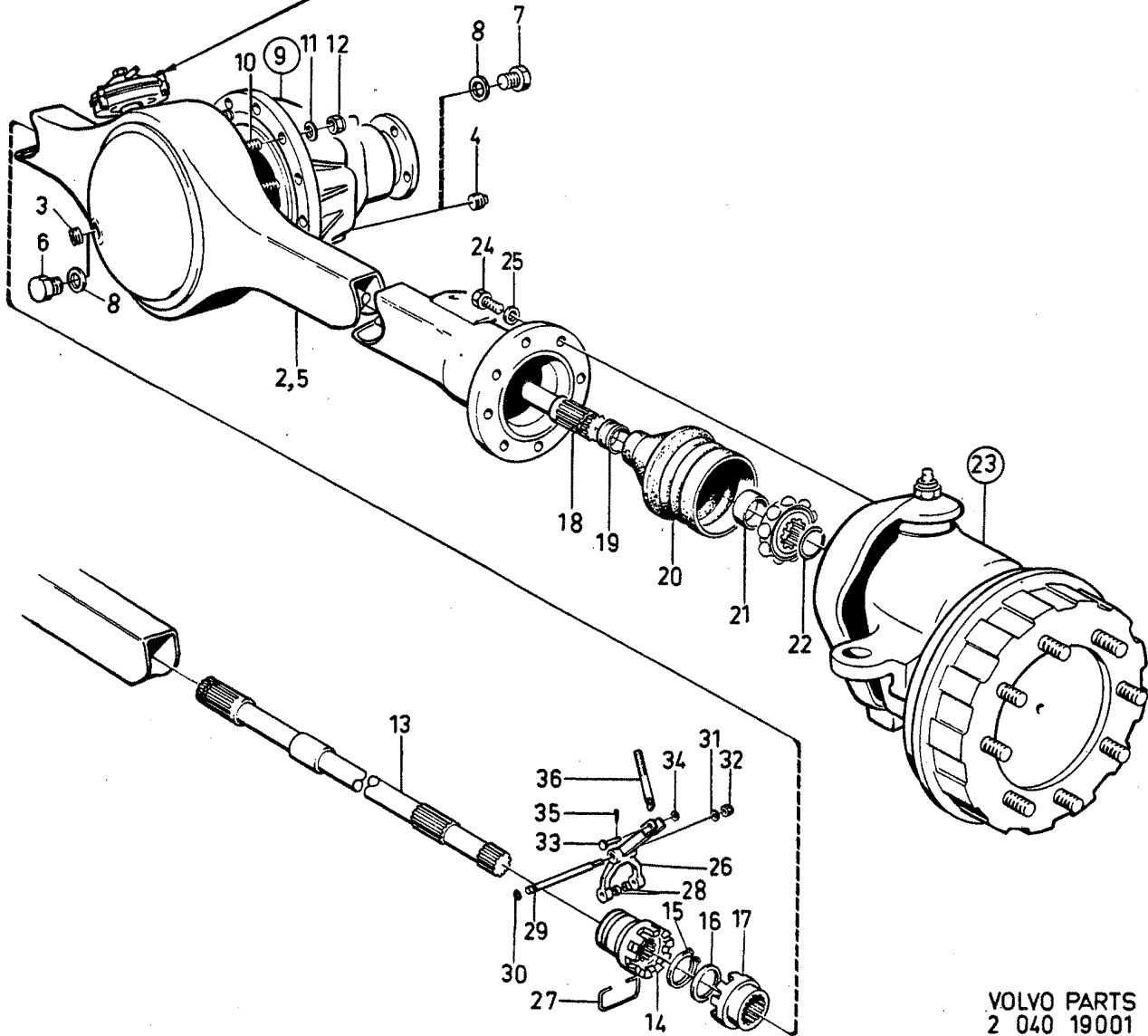
3) Hjulcylinder 1". / Wheel brake cylinder 1".

4) REPL 1PCS 1522469-4,1PCS 960634-4,1PCS 947585-6,1PCS 18 677-5.

5) Reservdelsutförande. / Spare parts production.

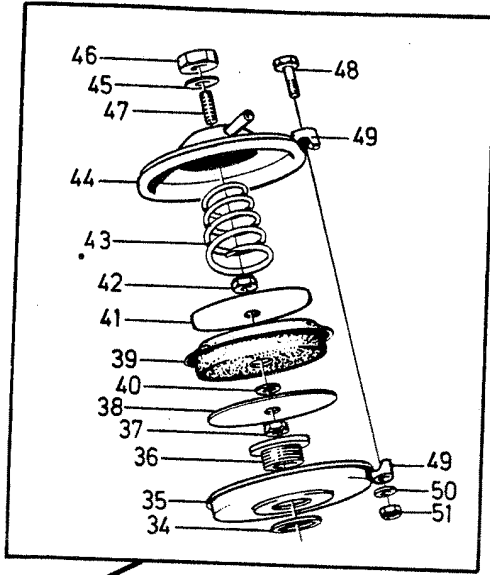


1

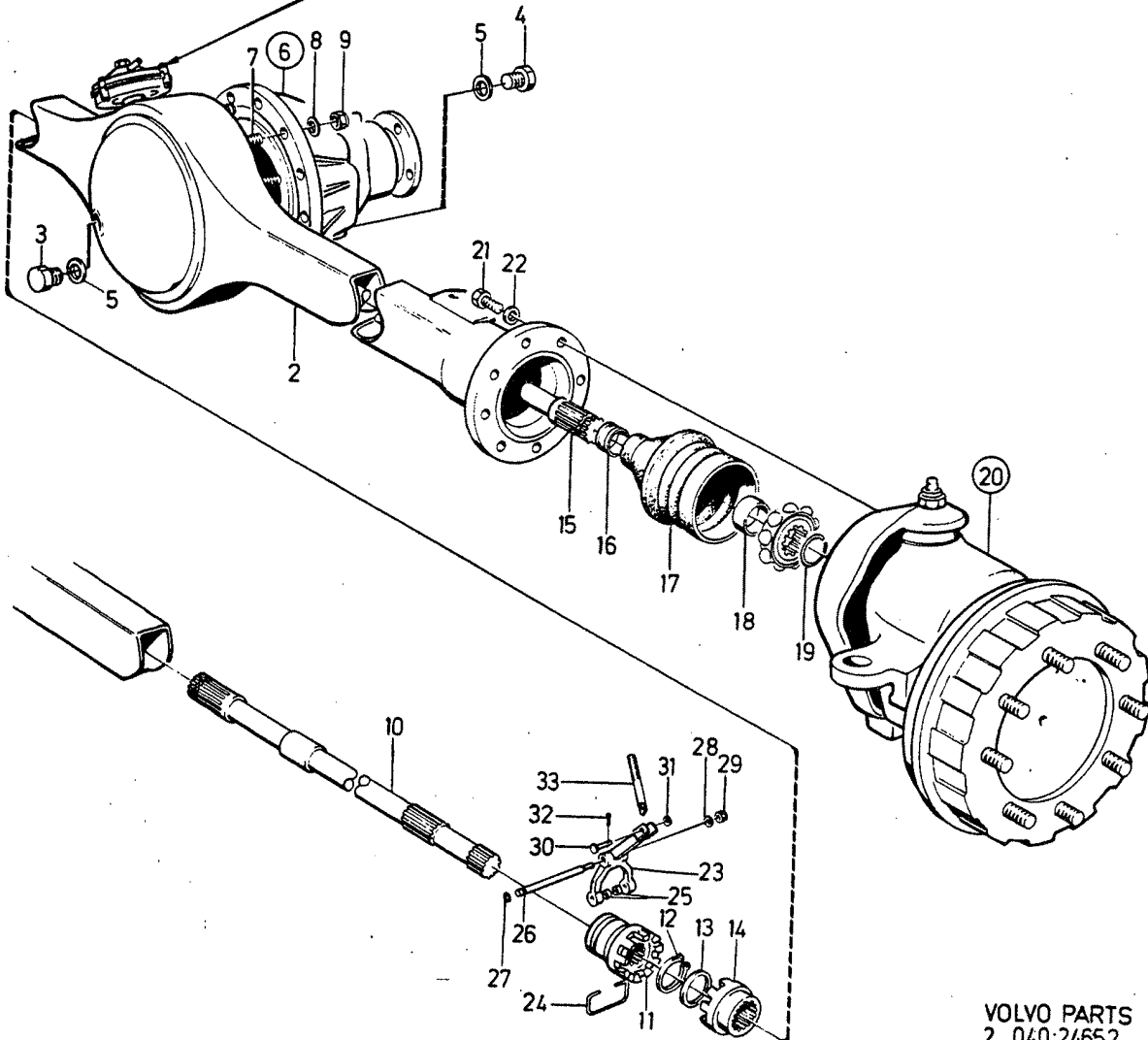


VOLVO PARTS
2 040 19001

A	644756					DRIVANDE FRAMAXEL	DRIVEN FRONT AXLE	Grupp Group			
	B	1520000							46		
C	1520340					UTV 6.00/1, 7,10/1.	Sida Page				
D								299			
E											
Pos	Artikel nr Part No.	Antal /Quantity					P S	Benämning	Description	Anmärkning Notes	S R
		A	B	C	D	E					
32	950353-3	1	1	1	-	-		• Låsmutter	• Lock nut		2
33	913103-8	1	1	1	-	-		• Saxpinnebult	• Clevis pin		2
34	940090-4	1	1	1	-	-		• Bricka	• Washer		2
35	907824-7	1	1	1	-	-		• Saxpinne	• Split pin		2
36	643380-9	1	1	1	-	-		• Dragstång	• Pull rod		3
37	18677-5	1	1	1	-	-		• Packning	• Gasket		2
38	639987-7	1	1	1	-	-		• Cylinder	• Cylinder		3
39	643379-1	1	1	1	-	-		• Mutter	• Nut		3
40	955846-1	1	1	1	-	-		• Mutter	• Nut		2
41	639989-3	1	1	1	-	-		• Bricka	• Washer		3
42	639991-9	1	1	1	-	-		• Membran	• Diaphragm		3
43	947620-1	1	1	1	-	-		• Packning	• Gasket	(942383)	2
44	639990-1	1	1	1	-	-		• Lock	• Cover		2
45	950372-3	1	1	1	-	-		• Mutter	• Nut		2
46	637759-2	1	1	1	-	-		• Fjäder	• Spring		3
47	640312-5	1	1	1	-	-		• Lock	• Cap		3
48	957173-8	1	1	1	-	-		• Packning	• Gasket		2
49	955791-9	1	1	1	-	-		• Mutter	• Nut		2
50	962947-8	1	1	1	-	-		• Stoppskruv	• Set screw		2
51	955640-8	3	3	3	-	-		• Skruv	• Screw		2
52	640075-8	6	6	6	-	-		• Klamma	• Clamp		3
53	955893-3	3	3	3	-	-		• Bricka	• Washer		2
54	950382-2	3	3	3	-	-		• Mutter	• Nut		2

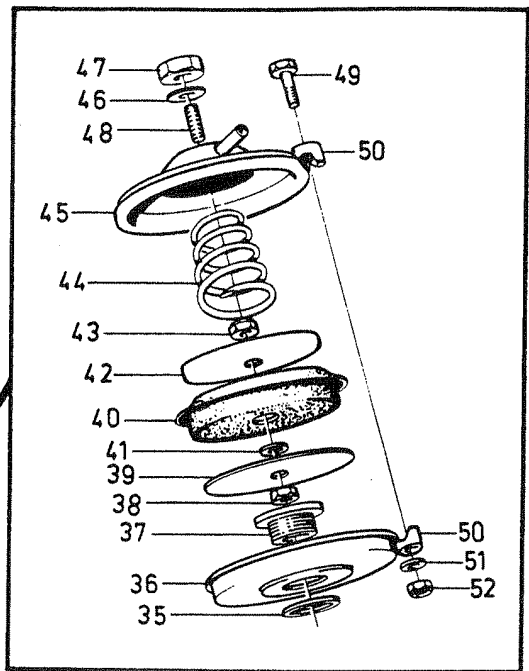


1

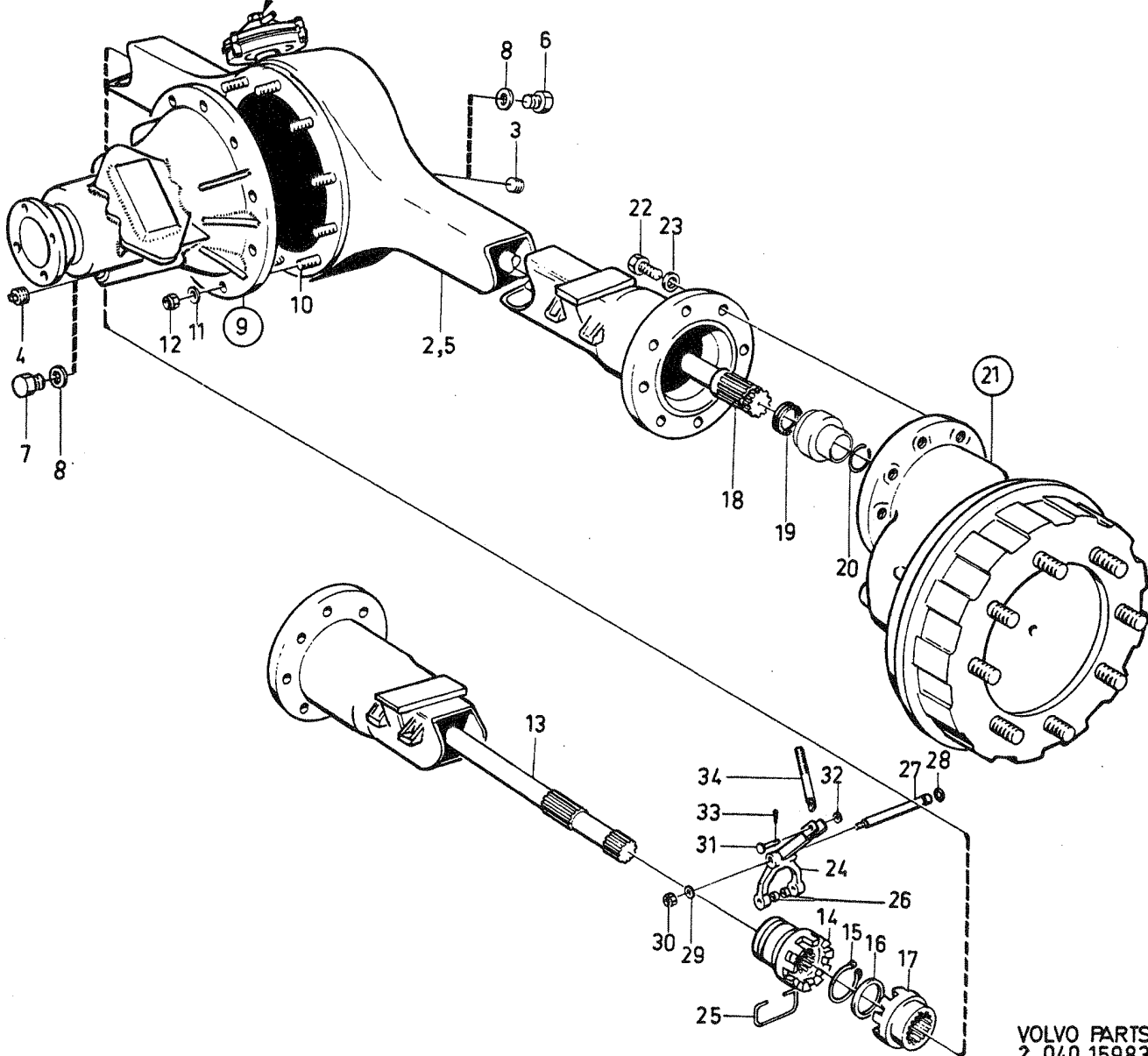


VOLVO PARTS
2 040-24652
(18:2)

A	B	C	D	E	DRIVANDE FRAMAXEL					DRIVEN FRONT AXLE					Grupp Group
					UTV 7,56/1., TGB 20					Sida Page					
Pos	Artikel nr Part No.	Antal /Quantity					P S	Benämning	Description	Anmärkning Notes	S R				
		A	B	C	D	E									
1	1520508-1	1	-	-	-	-		Framaxel	Front axle	UTV7,56/1.	5				
2	1522469-4	1	-	-	-	-		•Framaxelkåpa	•Front axle casing		5				
3	960634-4	1	-	-	-	-		•Plugg	•Plug		2				
4	947585-6	1	-	-	-	-		•Plugg	•Plug		2				
5	18677-5	2	-	-	-	-		•Packning	•Gasket		2				
6	1522994-1	1	-	-	-	-		•Centrumväxel	•Differential carrier	UTV3,67/1.	5				
								••SEE 46•319	••SEE 46•319						
7	643737-0	12	-	-	-	-		•Skruv	•Screw		3				
8	961170-8	12	-	-	-	-		•Bricka	•Washer		2				
9	950354-1	12	-	-	-	-		•Låsmutter	•Lock nut		2				
10	644069-7	1	-	-	-	-		•Drivaxel, h	•Drive shaft, r.h.		3				
11	643883-2	1	-	-	-	-		•Medbringare	•Companion flange		3				
12	944100-7	1	-	-	-	-		•Spårring	•Retaining ring		3				
13	944101-5	1	-	-	-	-		•Bricka	•Washer		3				
14	643964-0	1	-	-	-	-		•Kiokoppling	•Dog clutch		3				
15	644070-5	1	-	-	-	-		•Drivaxel, v	•Drive shaft, l.h.		3				
16	639261-7	2	-	-	-	-		•Bussning	•Bushing		3				
17	1563012-2	2	-	-	-	-		•Kåpa	•Cover		3				
18	634581-3	2	-	-	-	-		•Tryckbricka	•Thrust washer		3				
19	947614-4	2	-	-	-	-		•Spårring	•Retaining ring		2				
20	1522922-2	1	-	-	-	-		•Hjulväxel, v	•Wheel gear, l.h.		3				
	1522923-0	1	-	-	-	-		•Hjulväxel, h	•Wheel gear, r.h.		3				
								••SEE 46•323	••SEE 46•323						
21	955561-6	16	-	-	-	-		•Skruv	•Screw		2				
22	940280-1	16	-	-	-	-		•Fjäderbricka	•Spring washer		2				
23	643382-5	1	-	-	-	-		•Skiftgaffel	•Selector fork		3				
24	637774-1	1	-	-	-	-		•Låsbygel	•Lock brace		3				
25	637773-3	2	-	-	-	-		•Tapp	•Pin		2				
26	643381-7	1	-	-	-	-		•Lagertapp	•Stub		3				
27	955981-6	1	-	-	-	-		•O-ring	•O-ring		2				
28	947620-1	1	-	-	-	-		•Packning	•Gasket	(11992)	2				
29	950353-3	1	-	-	-	-		•Låsmutter	•Lock nut		2				
30	913103-8	1	-	-	-	-		•Saxpinnebult	•Clevis pin		2				
31	940090-4	1	-	-	-	-		•Bricka	•Washer		2				
32	907824-7	1	-	-	-	-		•Saxpinne	•Split pin		2				
33	643380-9	1	-	-	-	-		•Dragstång	•Pull rod		3				
34	18677-5	1	-	-	-	-		•Packning	•Gasket		2				
35	639987-7	1	-	-	-	-		•Cylinder	•Cylinder		3				
36	643379-1	1	-	-	-	-		•Mutter	•Nut		3				
37	955846-1	1	-	-	-	-		•Mutter	•Nut		2				
38	639989-3	1	-	-	-	-		•Bricka	•Washer		3				
39	639991-9	1	-	-	-	-		•Membran	•Diaphragm		3				
40	947620-1	1	-	-	-	-		•Packning	•Gasket	(942383)	2				
41	639990-1	1	-	-	-	-		•Lock	•Cover		2				
42	950372-3	1	-	-	-	-		•Mutter	•Nut		2				
43	637759-2	1	-	-	-	-		•Fjäder	•Spring		3				
44	640312-5	1	-	-	-	-		•Lock	•Cap		3				
45	957173-8	1	-	-	-	-		•Packning	•Gasket		2				
46	955791-9	1	-	-	-	-		•Mutter	•Nut		2				
47	962947-8	1	-	-	-	-		•Stoppsskruv	•Set screw		2				
48	955640-8	3	-	-	-	-		•Skruv	•Screw		2				
49	640075-8	6	-	-	-	-		•Klamma	•Clamp		3				
50	955893-3	3	-	-	-	-		•Bricka	•Washer		2				
51	950382-2	3	-	-	-	-		•Mutter	•Nut		2				



1

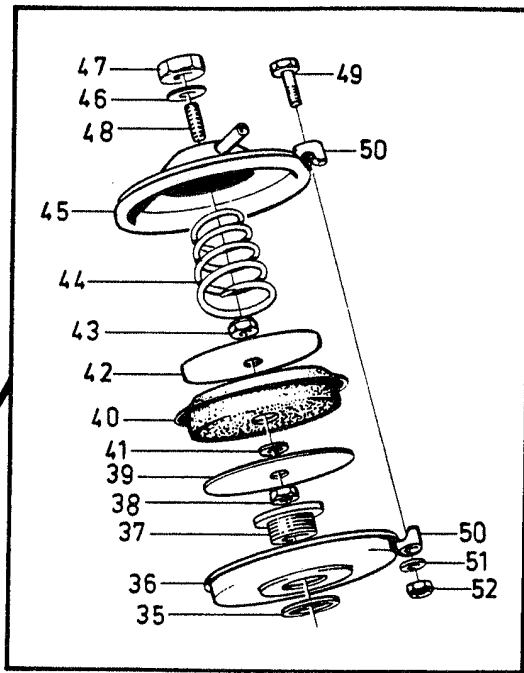


A	664759						P S	Benämning	Description	Anmärkning Notes	S R
	B	1520270									
C	1520001						6X6 BAKRE, UTV 6,00/1, 7,10/1.	REAR AXLE REAR	Grupp Group 46	Sida Page 303	
D	1520003										
E											
Pos	Artikel nr Part No.	Antal /Quantity					P S	Benämning	Description	Anmärkning Notes	S R
		A	B	C	D	E					
1	(644759)	1	-	-	-	-	SP	Bakaxel	Rear axle	1) UTV 6,00/1. 4X4 HJB2300. ALTER1 REPL 1PCS 1520435-7.	5
	1520435-7 (1520271)	1	-	-	-	-	SP	Bakaxel	Rear axle	UTV 6,00/1.	5
	(1520001)	-	-	1	-	-	SP	Bakaxel	Rear axle	2) UTV 6,00/1. 4X4 3) HJB2300. ALTER2 REPL 1PCS 1520435-7	2
	1520432-4	-	-	1	-	-		Bakaxel	Rear axle	UTV 7,10/1. 4X4 R.H.D HJB2530 REPL 1PCS 1520432-4.	5
	(1520003)	-	-	-	1	-	SP	Bakaxel, bakre	Rear axle, rear	UTV 7,10/1. 6X6 REPL 1PCS 1520434-0.	5
	1520434-0	-	-	-	1	-		Bakaxel	Rear axle	UTV 7,10/1. 6X6 ALTER1 REPL ALTER2	5
2	(643271)	1	-	1	-	-	SP	• Bakaxelkåpa	• Rear axle casing		5
	(643273)	-	-	-	1	-	SP	• Bakaxelkåpa	• Rear axle casing		5
3	952358-0	1	-	1	1	-		• Plugg	• Plug	1/2"X14	2
4	951901-8	1	-	1	1	-		• Plugg	• Plug	1/2"X14	2
5		-	-	-	-	-		• Bakaxelkåpa	• Rear axle casing	ALTER2	
	1522470-2	1	1	1	-	-		• Bakaxelkåpa	• Rear axle casing		5
	1522472-8	-	-	-	1	-		• Bakaxelkåpa	• Rear axle casing		5
6	960634-4	1	1	1	1	-		• Plugg	• Plug	M22X1,5	2
7	947585-6	1	1	1	1	-		• Plugg	• Plug	M22X1,5	2
8	18677-5	2	2	2	2	-		• Packning	• Gasket		2
9	(644703)	1	1	-	-	-	SP	• Centrumväxel	• Final drive	UTV 2,91/1. REPL 1PCS 1562048-7.	5
	(642736)	-	-	1	1	-	SP	• Centrumväxel	• Final drive	UTV 3,42/1. REPL 1PCS 1562047-9.	5
		-	-	-	-	-		• SEE 46-315	• SEE 46-315	REPL 1562047-9.	
	1562048-7	1	1	-	-	-		• Centrumväxel	• Differential carrier	UTV 2,91/1.	5
	1562047-9	-	-	1	1	-		• Centrumväxel	• Differential carrier	UTV 3,42/1.	5
		-	-	-	-	-		• SEE 46-317	• SEE 46-317		
10	643737-0	12	12	12	12	-		• Skruv	• Screw		3
11	961170-8	12	12	12	12	-		• Bricka	• Washer		2
12	950354-1	12	12	12	12	-		• Låsmutter	• Lock nut		2
13	642376-8	1	1	1	-	-		• Drivaxel, h	• Drive shaft, r.h.		3
	643669-5	-	-	-	1	-		• Drivaxel, h	• Drive shaft, r.h.		3
14	643883-2	1	1	1	1	-		• Medbringare	• Companion flange		3
15	944100-7	1	1	1	1	-		• Spärring	• Retaining ring		3
16	944101-5	1	1	1	1	-		• Bricka	• Washer		3
17	643964-0	1	1	1	1	-		• Klokoppling	• Dog clutch		3
18	642377-6	1	1	1	-	-		• Drivaxel, v	• Drive shaft, l.h.		3
	643668-7	-	-	-	1	-		• Drivaxel, v	• Drive shaft, l.h.		3
19	944527-1	2	2	2	2	-		• X-ring	• X-ring		2
20	947614-4	2	2	2	2	-		• Spärring	• Retaining ring		2
21	(642410)	1	1	1	-	-	SP	• Hjulväxel, v	• Wheel gear, l.h.	REPL 1PCS 1522924-8.	1
	(642411)	1	1	1	-	-	SP	• Hjulväxel	• Wheel gear	REPL 1PCS 1522925-5.	1
	(1522277)	-	-	-	1	-	SP	• Hjulväxel, v	• Wheel gear, l.h.	REPL 1PCS 1522924-8.	1
	(1522278)	-	-	-	1	-	SP	• Hjulväxel, h	• Wheel gear, r.h.	REPL 1PCS 1522925-5.	1
	1522924-8	1	1	1	1	-		• Hjulväxel, v	• Wheel gear, l.h.		3
	1522925-5	1	1	1	1	-		• Hjulväxel, h	• Wheel gear, r.h.		3
		-	-	-	-	-		• SEE 46-327	• SEE 46-327		
22	955561-6	16	16	16	16	-		• Skruv	• Screw		2
23	940280-1	16	16	16	16	-		• Fjäderbricka	• Spring washer		2
24	643382-5	1	1	1	1	-		• Skiftgaffel	• Selector fork		3

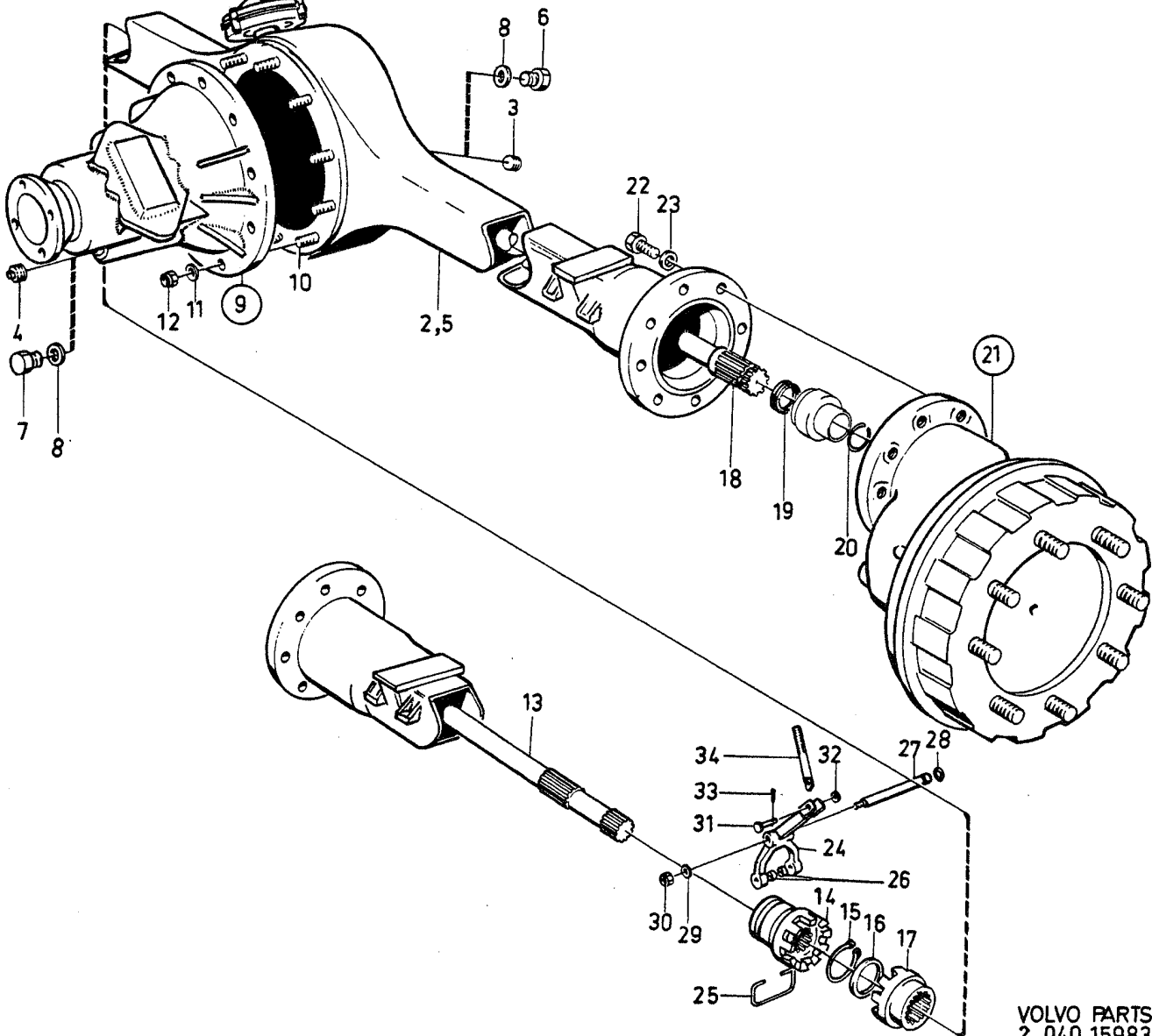
1) Hjulcylinder 1 1/4" / Wheel brake cylinder 1 1/4".

2) Hjulcylinder 1" / Wheel brake cylinder 1".

3) Civil. / For civilian use.



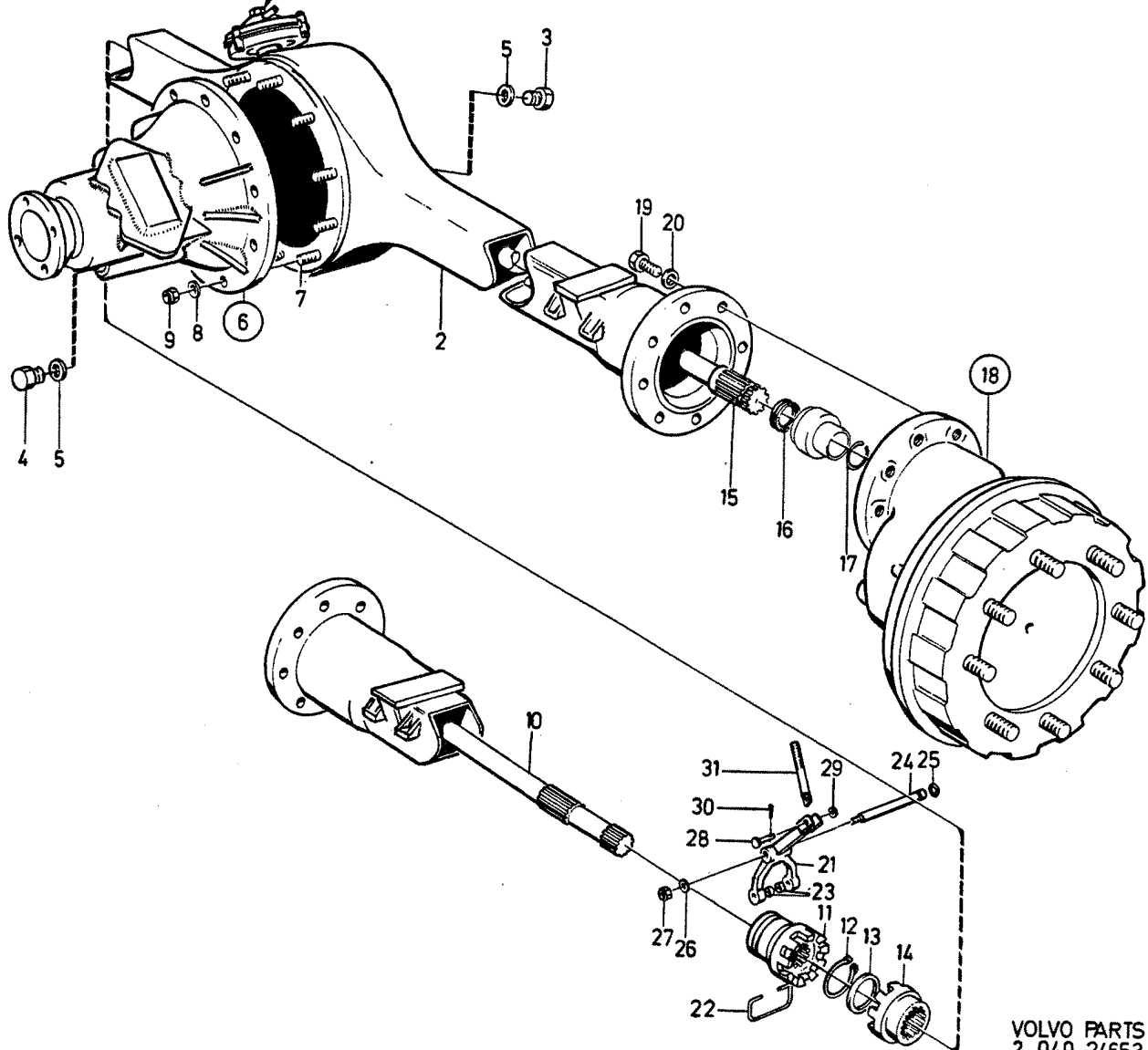
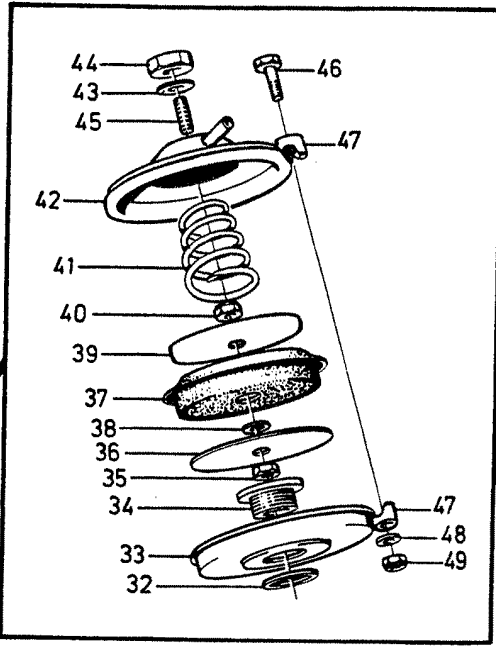
1



A	664759	BAKAXEL BAKRE REAR AXLE REAR	Grupp Group 46 Sida Page 305
B	1520270		
C	1520001		
D	1520003		
E			
		6X6 BAKRE, UTV 6,00/1. 7,10/1.	

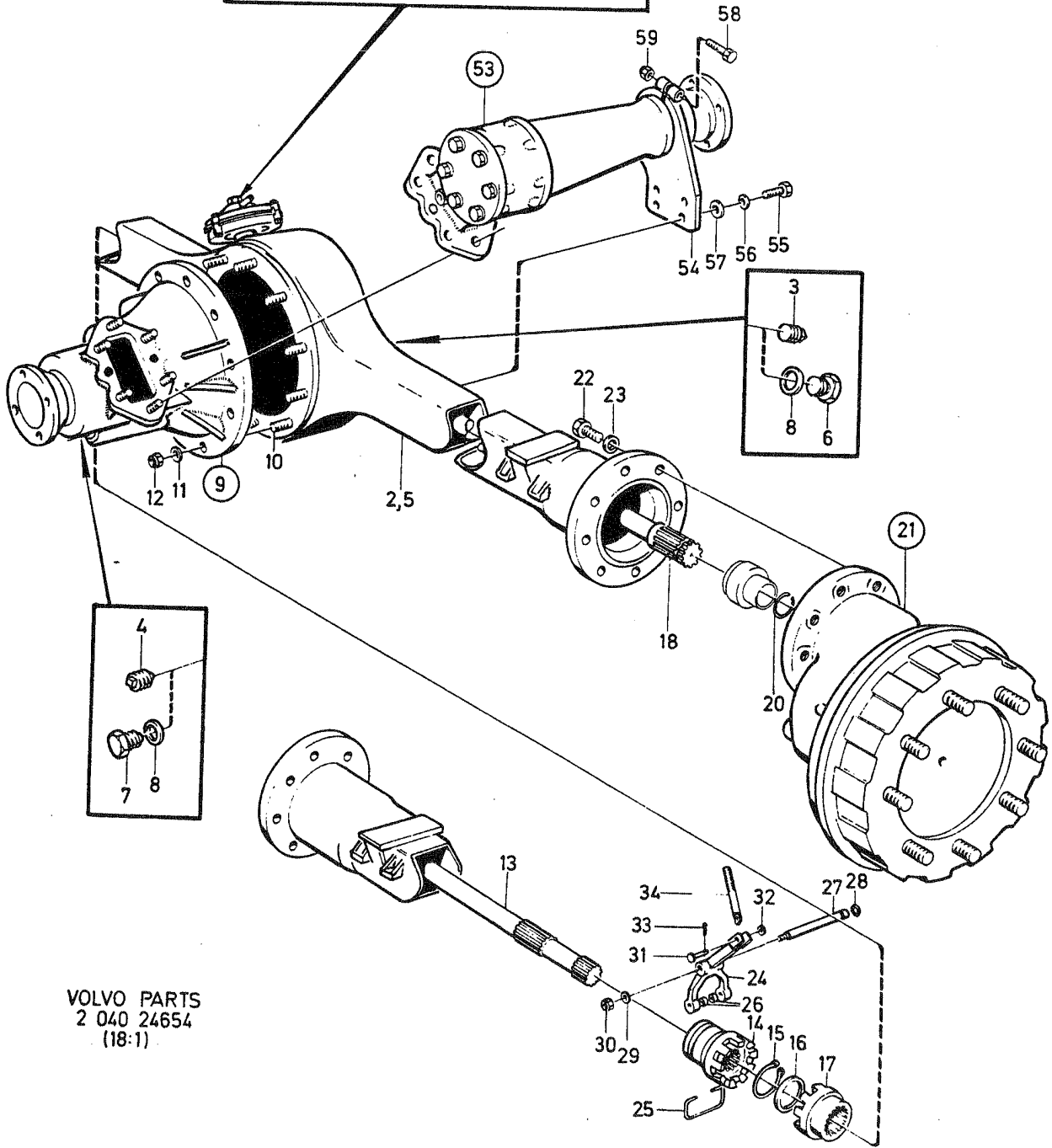
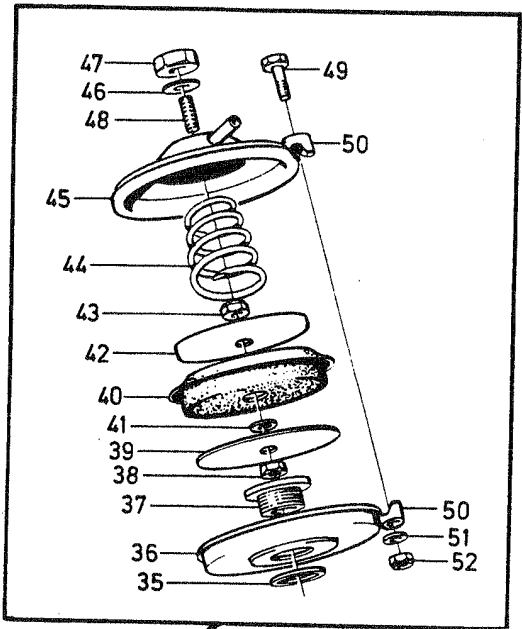
Pos	Artikel nr Part No.	Antal /Quantity					P S	Benämning	Description	Anmärkning Notes	S R
		A	B	C	D	E					
25	637774-1	1	1	1	1	-	• Låsbygel	• Lock brace	(11992)	3	
26	637773-3	2	2	2	2	-	• Tapp	• Pin		2	
27	643381-7	1	1	1	1	-	• Lagertapp	• Stub		3	
28	955981-6	1	1	1	1	-	• O-ring	• O-ring		2	
29	947620-1	1	1	1	1	-	• Packning	• Gasket		2	
30	950353-3	1	1	1	1	-	• Låsmutter	• Lock nut		2	
31	913103-8	1	1	1	1	-	• Saxpinnebult	• Clevis pin		2	
32	940090-4	1	1	1	1	-	• Bricka	• Washer		2	
33	907824-7	1	1	1	1	-	• Saxpinne	• Split pin		2	
34	643380-9	1	1	1	1	-	• Dragstång	• Pull rod		3	
35	18677-5	1	1	1	1	-	• Packning	• Gasket		2	
36	639987-7	1	1	1	1	-	• Cylinder	• Cylinder		3	
37	643379-1	1	1	1	1	-	• Mutter	• Nut		3	
38	955846-1	1	1	1	1	-	• Mutter	• Nut		2	
39	639989-3	1	1	1	1	-	• Bricka	• Washer		3	
40	639991-9	1	1	1	1	-	• Membran	• Diaphragm		3	
41	947620-1	1	1	1	1	-	• Packning	• Gasket		(942383) 2	
42	639990-1	1	1	1	1	-	• Lock	• Cover		2	
43	950372-3	1	1	1	1	-	• Mutter	• Nut		2	
44	637759-2	1	1	1	1	-	• Fjäder	• Spring		3	
45	640312-5	1	1	1	1	-	• Lock	• Cap		3	
46	957173-8	1	1	1	1	-	• Packning	• Gasket		2	
47	955791-9	1	1	1	1	-	• Mutter	• Nut		2	
48	962947-8	1	1	1	1	-	• Stoppskruv	• Set screw		2	
49	955640-8	3	3	3	3	-	• Skruv	• Screw		2	
50	640075-8	6	6	6	6	-	• Klamma	• Clamp		3	
51	955893-3	3	3	3	3	-	• Bricka	• Washer		2	
52	950382-2	3	3	3	3	-	• Mutter	• Nut		2	

1



VOLVO PARTS
2 040 24653
(18:2)

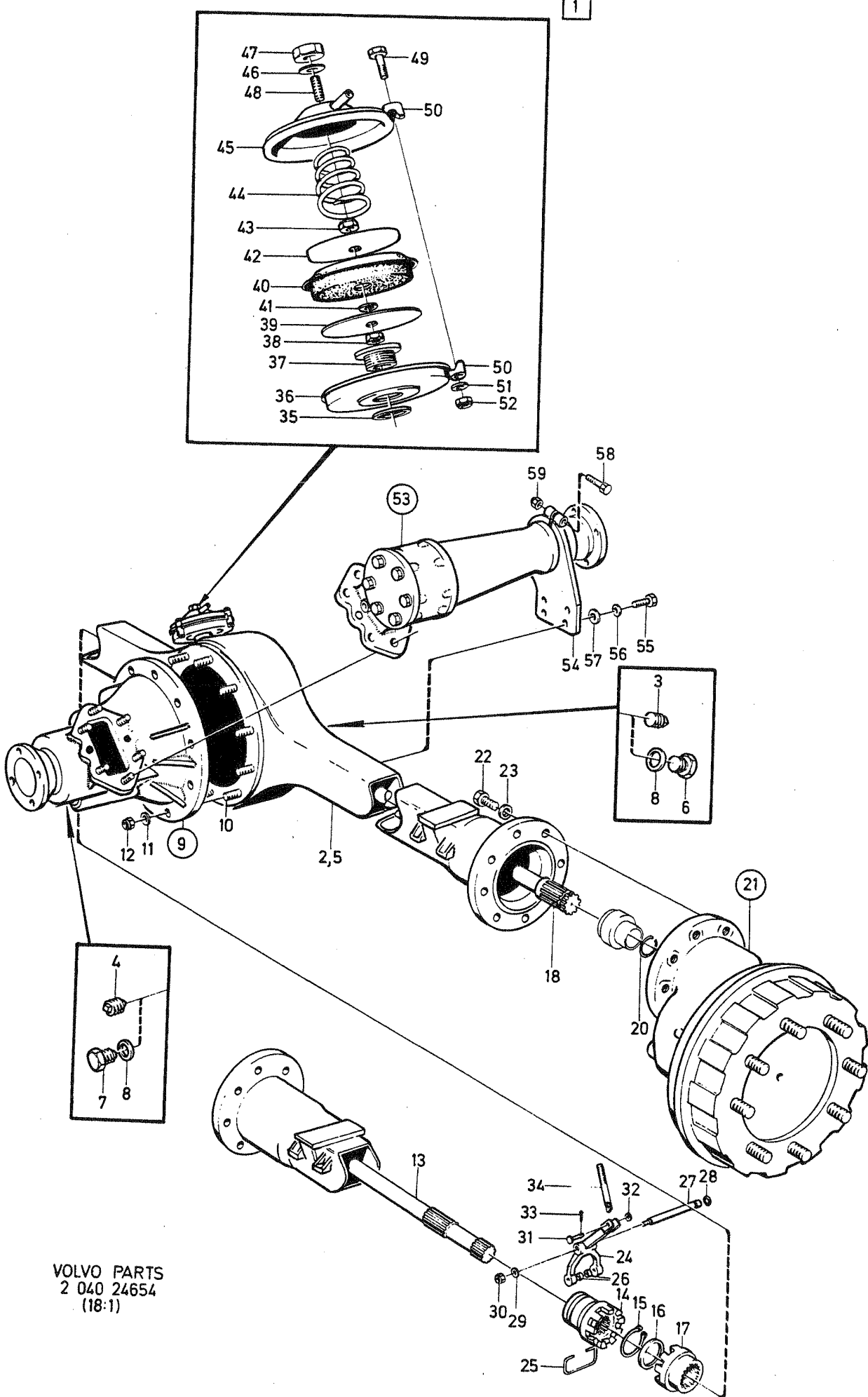
A	BAKAXEL BAKRE		REAR AXLE REAR		Grupp						
					Group						
					46						
					Sida						
					Page						
B	TGB20		307								
C											
D											
E											
Pos	Artikel nr Part No.	Antal /Quantity					P S	Benämning	Description	Anmärkning Notes	S R
		A	B	C	D	E					
1	1520506-5	1	-	-	-	-		Bakaxel, bakre	Rear axle, rear	UTV 7,56/1.	5
2	1522472-8	1	-	-	-	-		• Bakaxelkåpa	• Rear axle casing		5
3	960634-4	1	-	-	-	-		•• Plugg	•• Plug		2
4	947585-6	1	-	-	-	-		•• Plugg	•• Plug		2
5	18677-5	2	-	-	-	-		•• Packning	•• Gasket		2
6	1522996-6	1	-	-	-	-		• Centrumväxel	• Differential carrier		5
		-	-	-	-	-		•• SEE 46-319	•• SEE 46-319		
7	643737-0	12	-	-	-	-		• Skruv	• Screw		3
8	961170-8	12	-	-	-	-		• Bricka	• Washer		2
9	950354-1	12	-	-	-	-		• Låsmutter	• Lock nut		2
10	643669-5	1	-	-	-	-		• Drivaxel, h	• Drive shaft, r.h.		3
11	643883-2	1	-	-	-	-		• Medbringare	• Companion flange		3
12	944100-7	1	-	-	-	-		• Spårring	• Retaining ring		3
13	944101-5	1	-	-	-	-		• Bricka	• Washer		3
14	643964-0	1	-	-	-	-		• Klokoppling	• Dog clutch		3
15	643668-7	1	-	-	-	-		• Drivaxel, v	• Drive shaft, l.h.		3
16	944527-1	2	-	-	-	-		• X-ring	• X-ring		2
17	947614-4	2	-	-	-	-		• Spårring	• Retaining ring		2
18	1522924-8	1	-	-	-	-		• Hjulväxel, v	• Wheel gear, l.h.		3
	1522925-5	1	-	-	-	-		• Hjulväxel, h	• Wheel gear, r.h.		3
		-	-	-	-	-		•• SEE 46-327	•• SEE 46-327		
19	955561-6	16	-	-	-	-		• Skruv	• Screw		2
20	940280-1	16	-	-	-	-		• Fjäderbricka	• Spring washer		2
21	643382-5	1	-	-	-	-		• Skiftgaffel	• Selector fork		3
22	637774-1	1	-	-	-	-		• Låsbygel	• Lock brace		3
23	637773-3	2	-	-	-	-		• Tapp	• Pin		2
24	643381-7	1	-	-	-	-		• Lagertapp	• Stub		3
25	955981-6	1	-	-	-	-		• O-ring	• O-ring		2
☆ 26	947620-1	1	-	-	-	-		• Packning	• Gasket	(11992)	2
27	950353-3	1	-	-	-	-		• Låsmutter	• Lock nut		2
28	913103-8	1	-	-	-	-		• Saxpinnebult	• Clevis pin		2
29	940090-4	1	-	-	-	-		• Bricka	• Washer		2
30	907820	1	-	-	-	-	NS	• Saxpinne	• Split pin		2
31	643380-9	1	-	-	-	-		• Dragstång	• Pull rod		3
32	18677-5	1	-	-	-	-		• Packning	• Gasket		2
33	639987-7	1	-	-	-	-		• Cylinder	• Cylinder		3
34	643379-1	1	-	-	-	-		• Mutter	• Nut		3
35	955846-1	1	-	-	-	-		• Mutter	• Nut		2
36	639989-3	1	-	-	-	-		• Bricka	• Washer		3
37	639991-9	1	-	-	-	-		• Membran	• Diaphragm		3
☆ 38	947620-1	1	-	-	-	-		• Packning	• Gasket	(942383)	2
39	639990-1	1	-	-	-	-		• Lock	• Cover		2
40	950372-3	1	-	-	-	-		• Mutter	• Nut		2
41	637759-2	1	-	-	-	-		• Fjäder	• Spring		3
42	640312-5	1	-	-	-	-		• Lock	• Cap		3
43	957173-8	1	-	-	-	-		• Packning	• Gasket		2
44	955791-9	1	-	-	-	-		• Mutter	• Nut		2
45	962947-8	1	-	-	-	-		• Stoppskruv	• Set screw		2
46	955640-8	3	-	-	-	-		• Skruv	• Screw		2
47	640075-8	6	-	-	-	-		• Klamma	• Clamp		3
48	955893-3	3	-	-	-	-		• Bricka	• Washer		2
49	950382-2	3	-	-	-	-		• Mutter	• Nut		2



VOLVO PARTS
 2 040 24654
 (18:1)

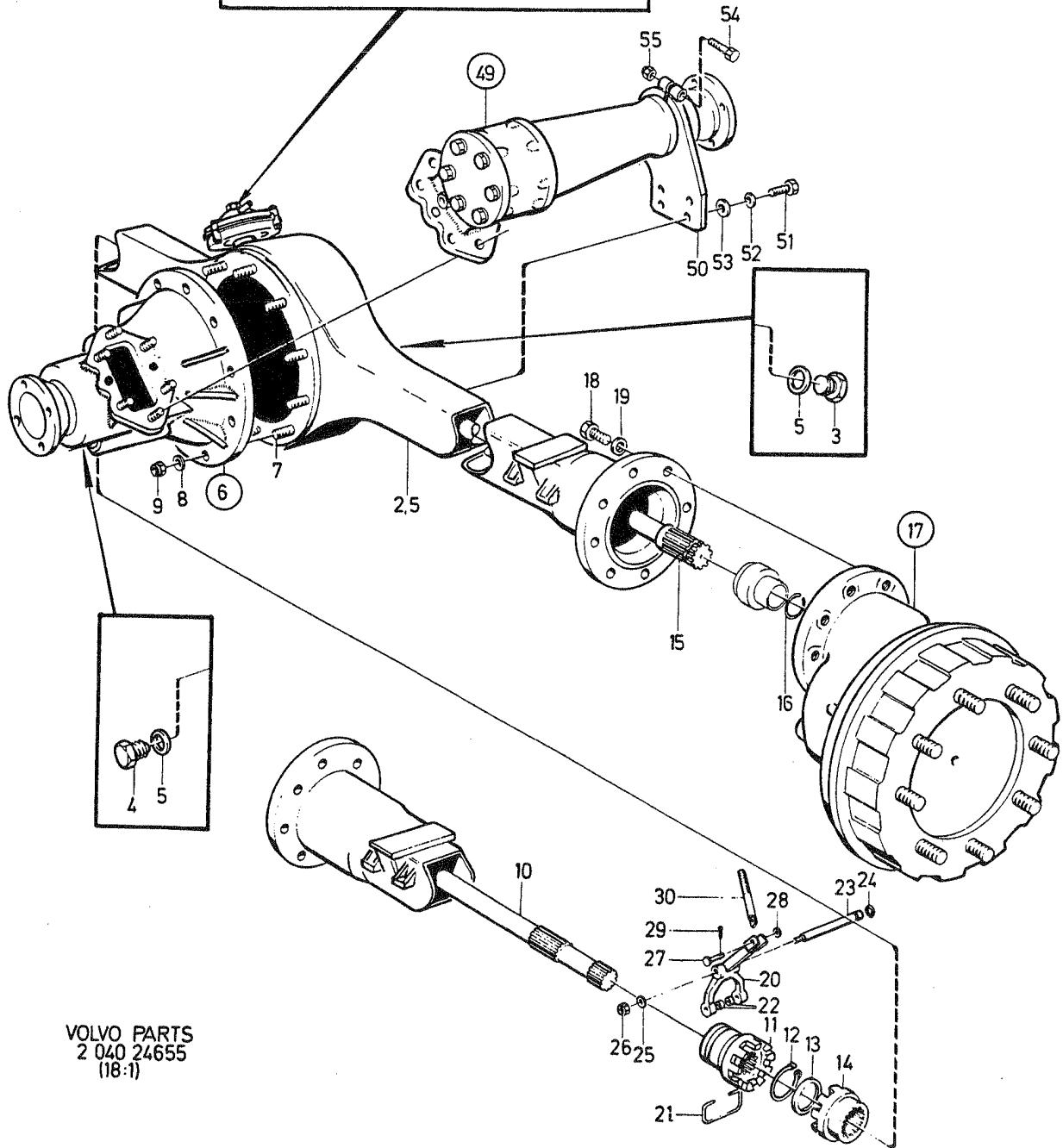
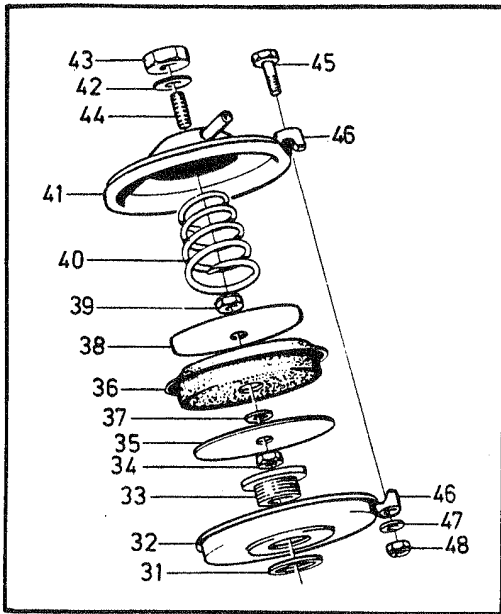
A	B	C	D	E	BAKAXEL FRÄMRE					REAR AXLE FRONT					Grupp Group
					UTV 7,10/1.6X6					Sida Page					
										UTV 7,10/1.6X6					46
															309
Pos	Artikel nr Part No.	Antal /Quantity					P S	Benämning	Description	Anmärkning Notes	S R				
		A	B	C	D	E									
1	(1520002)	1	-	-	-	-	SP	Bakaxel	Rear axle	UTV 7,10/1. REPL 1PCS 1520433-2.	6				
	1520433-2	1	-	-	-	-		Bakaxel	Rear axle	UTV 7,10/1.	5				
2	642272	1	-	-	-	-	NS	• Bakaxelkåpa	• Rear axle casing	1) BXL 1520002.					
3	952358-0	1	-	-	-	-		• Plugg	• Plug	1/2"X14	2				
4	951901-8	1	-	-	-	-		• Plugg	• Plug	1/2"X14	2				
5	1522471-0	1	-	-	-	-		• Bakaxelkåpa	• Rear axle casing		5				
6	960634-4	1	-	-	-	-		• Plugg	• Plug	M22X1,5	2				
7	947585-6	1	-	-	-	-		• Plugg	• Plug	M22X1,5	2				
8	18677-5	2	-	-	-	-		• Packning	• Gasket		2				
9	(642735)	1	-	-	-	-	SP	• Centrumväxel	• Final drive	UTV 3,44/1. REPL 1PCS 1562047-9.					
		-	-	-	-	-		• SEE 46•315	• SEE 46•315						
	1562047-9	1	-	-	-	-		• Centrumväxel	• Differential carrier		5				
		-	-	-	-	-		• SEE 46•317	• SEE 46•317						
10	643737-0	12	-	-	-	-		• Skruv	• Screw		3				
11	961170-8	12	-	-	-	-		• Bricka	• Washer		2				
12	950354-1	12	-	-	-	-		• Låsmutter	• Lock nut		2				
13	642376-8	1	-	-	-	-		• Drivaxel, h	• Drive shaft, r.h.		3				
14	643883-2	1	-	-	-	-		• Medbringare	• Companion flange		3				
15	944100-7	1	-	-	-	-		• Spärring	• Retaining ring		3				
16	944101-5	1	-	-	-	-		• Bricka	• Washer		3				
17	643964-0	1	-	-	-	-		• Klokoppling	• Dog clutch		3				
18	642377-6	1	-	-	-	-		• Drivaxel, v	• Drive shaft, l.h.		3				
20	947614-4	1	-	-	-	-		• Spärring	• Retaining ring		2				
21	(642410)	1	-	-	-	-	SP	• Hjulväxel, v	• Wheel gear, l.h.	BXL 1520002. REPL 1PCS 1522924-8.					
	(642410)	1	-	-	-	-	SP	• Hjulväxel, v	• Wheel gear, l.h.	BXL 1520002. REPL 1PCS 1522924-8.					
21	1522924-8	1	-	-	-	-		• Hjulväxel, v	• Wheel gear, l.h.		3				
	1522925-5	1	-	-	-	-		• Hjulväxel, h	• Wheel gear, r.h.		3				
		-	-	-	-	-		• SEE 46•327	• SEE 46•327						
22	955561-6	16	-	-	-	-		• Skruv	• Screw		2				
23	940280-1	16	-	-	-	-		• Fjäderbricka	• Spring washer		2				
24	643382-5	1	-	-	-	-		• Skiftgaffel	• Selector fork		3				
25	637774-1	1	-	-	-	-		• Låsbygel	• Lock brace		3				
26	637773-3	1	-	-	-	-		• Tapp	• Pin		2				
27	643381-7	1	-	-	-	-		• Lagertapp	• Stub		3				
28	955981-6	1	-	-	-	-		• O-ring	• O-ring		2				
29	947620-1	1	-	-	-	-		• Packning	• Gasket	(11992)	2				
30	950353-3	1	-	-	-	-		• Låsmutter	• Lock nut		2				
31	913103-8	1	-	-	-	-		• Saxpinnebult	• Clevis pin		2				
32	940090-4	1	-	-	-	-		• Bricka	• Washer		2				
33	907824-7	1	-	-	-	-		• Saxpinne	• Split pin		2				
34	643380-9	1	-	-	-	-		• Dragstång	• Pull rod		3				
35	18677-5	1	-	-	-	-		• Packning	• Gasket		2				
36	639987-7	1	-	-	-	-		• Cylinder	• Cylinder		3				
37	643379-1	1	-	-	-	-		• Mutter	• Nut		3				
38	955846-1	1	-	-	-	-		• Mutter	• Nut		2				
39	639989-3	1	-	-	-	-		• Bricka	• Washer		3				
40	639991-9	1	-	-	-	-		• Membran	• Diaphragm		3				
41	947620-1	1	-	-	-	-		• Packning	• Gasket	(942383)	2				
42	639990-1	1	-	-	-	-		• Lock	• Cover		2				
43	950372-3	1	-	-	-	-		• Mutter	• Nut		2				
44	637759-2	1	-	-	-	-		• Fjäder	• Spring		3				
45	640312-5	1	-	-	-	-		• Lock	• Cap		3				
46	957173-8	1	-	-	-	-		• Packning	• Gasket		2				
47	955791-9	1	-	-	-	-		• Mutter	• Nut		2				
48	962947-8	1	-	-	-	-		• Stoppskruv	• Set screw		2				
49	955640-8	3	-	-	-	-		• Skruv	• Screw		2				

1) ERS AV 1st 1522471-0, 1st 960634-4, 1st 947585-6, 2st 18677-5.



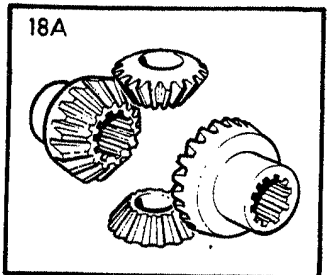
VOLVO PARTS
2 040 24654
(18:1)

A	B	C	D	E	BAKAXEL FRÄMRE		REAR AXLE FRONT		Grupp Group		
					UTV 7,10/1.6X6		46				
									Sida Page		
									311		
Pos	Artikel nr Part No.	Antal /Quantity					P S	Benämning	Description	Anmärkning Notes	S R
		A	B	C	D	E					
50	640075-8	6	-	-	-	-	• Klamma	• Clamp		3	
51	955893-3	3	-	-	-	-	• Bricka	• Washer		2	
52	950382-2	3	-	-	-	-	• Mutter	• Nut		2	
53	642737-1	1	-	-	-	-	• Kraftuttag	• Power take-off		4	
							SEE 48-335	SEE 48-335			
54	1561048-8	1	-	-	-	-	• Lagerstöd	• Bearing support		3	
55	940135-7	4	-	-	-	-	• Skruv	• Screw		2	
56	941907-8	4	-	-	-	-	• Fjäderbricka	• Spring washer		2	
57	960141-0	4	-	-	-	-	• Bricka	• Washer		2	
58	940161-3	1	-	-	-	-	• Skruv	• Screw		2	
59	950353-3	1	-	-	-	-	• Låsmutter	• Lock nut		2	

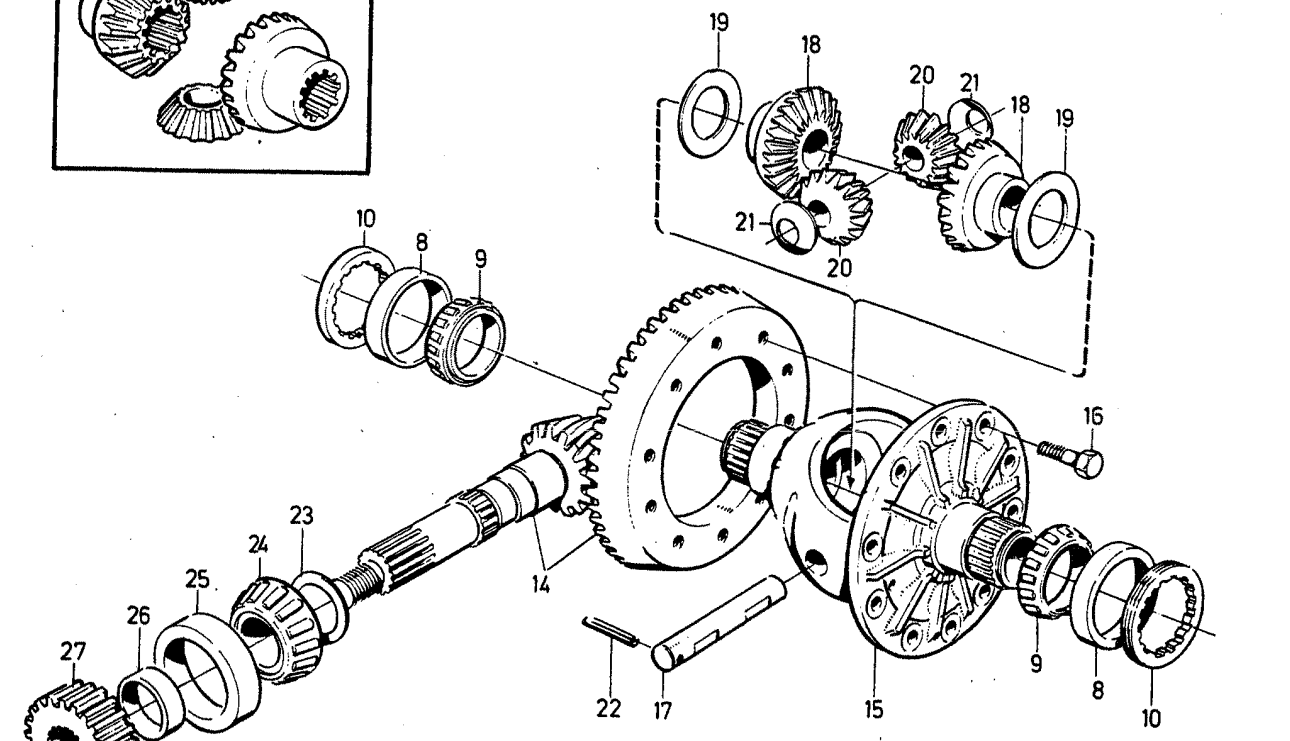


VOLVO PARTS
2 040 24655
(18:1)

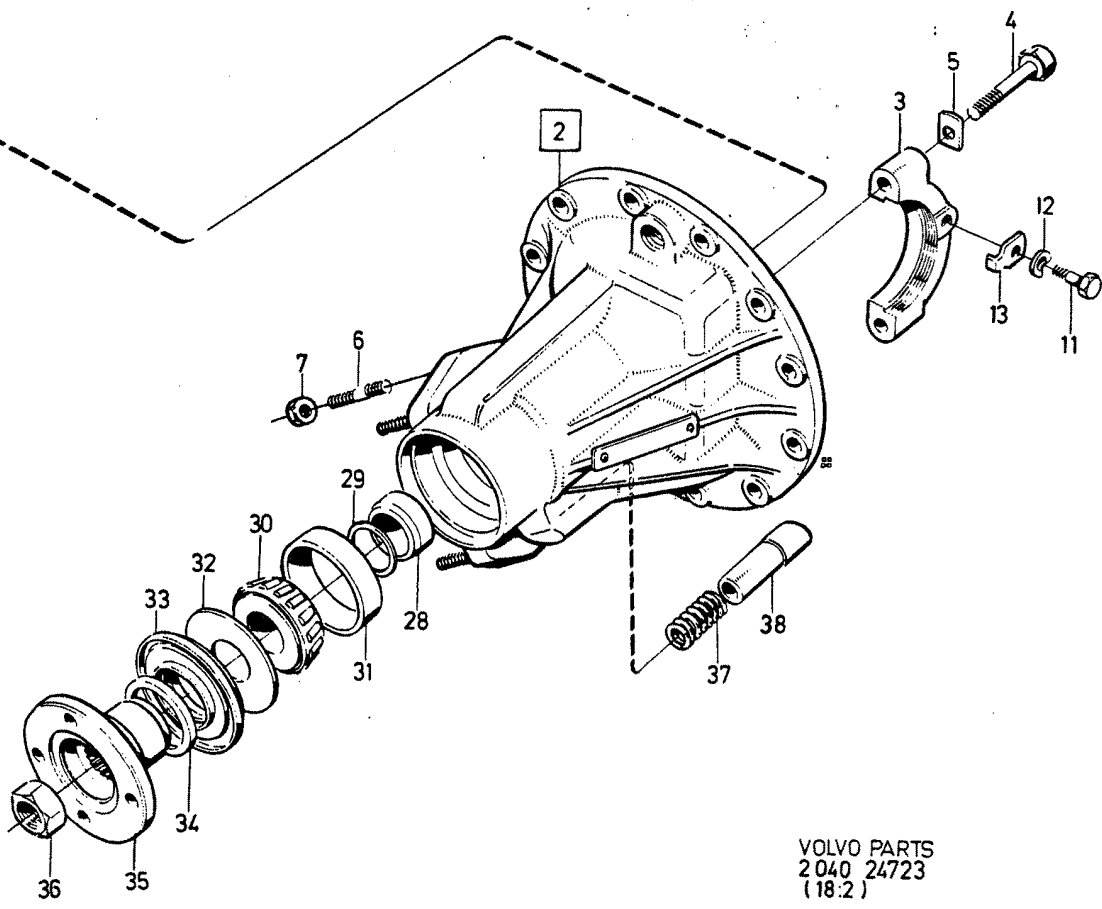
A			BAKAXEL FRÄMRE		REAR AXLE FRONT		Grupp				
							Group				
							46				
							Sida				
							Page				
B							311				
C											
D											
E											
Pos	Artikel nr Part No.	Antal /Quantity					P S	Benämning	Description	Anmärkning Notes	S R
		A	B	C	D	E					
50	640075-8	6	-	-	-	-		• Klamma	• Clamp		3
51	955893-3	3	-	-	-	-		• Bricka	• Washer		2
52	950382-2	3	-	-	-	-		• Mutter	• Nut		2
53	642737-1	1	-	-	-	-		• Kraftuttag	• Power take-off		4
								SEE 48-335	SEE 48-335		
54	1561048-8	1	-	-	-	-		• Lagerstöd	• Bearing support		3
55	940135-7	4	-	-	-	-		• Skruv	• Screw		2
56	941907-8	4	-	-	-	-		• Fjäderbricka	• Spring washer		2
57	960141-0	4	-	-	-	-		• Bricka	• Washer		2
58	940161-3	1	-	-	-	-		• Skruv	• Screw		2
59	950353-3	1	-	-	-	-		• Låsmutter	• Lock nut		2



1

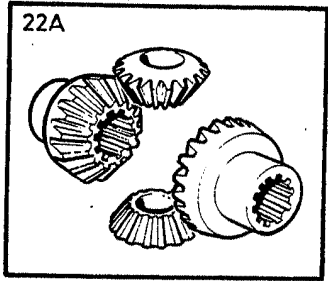


2

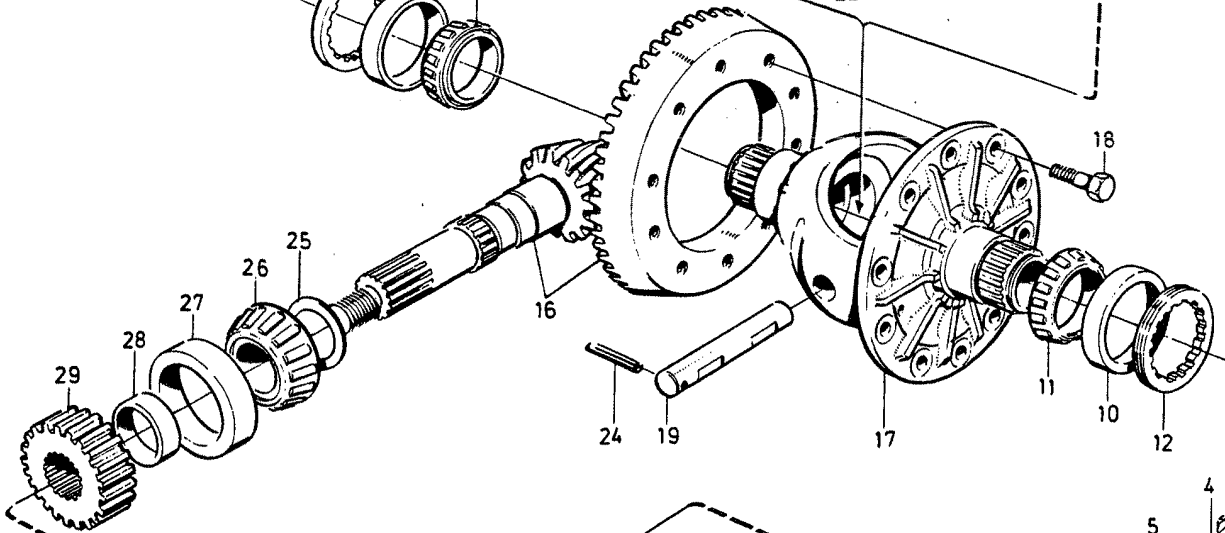
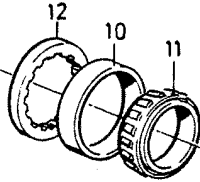
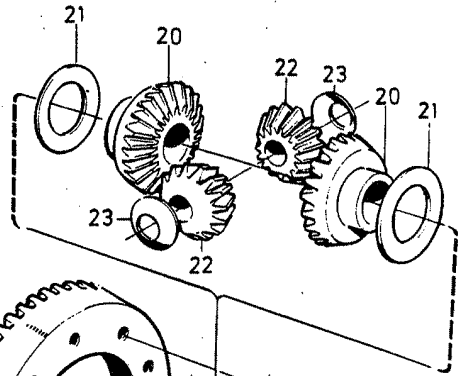


VOLVO PARTS
2040 24723
(18.2)

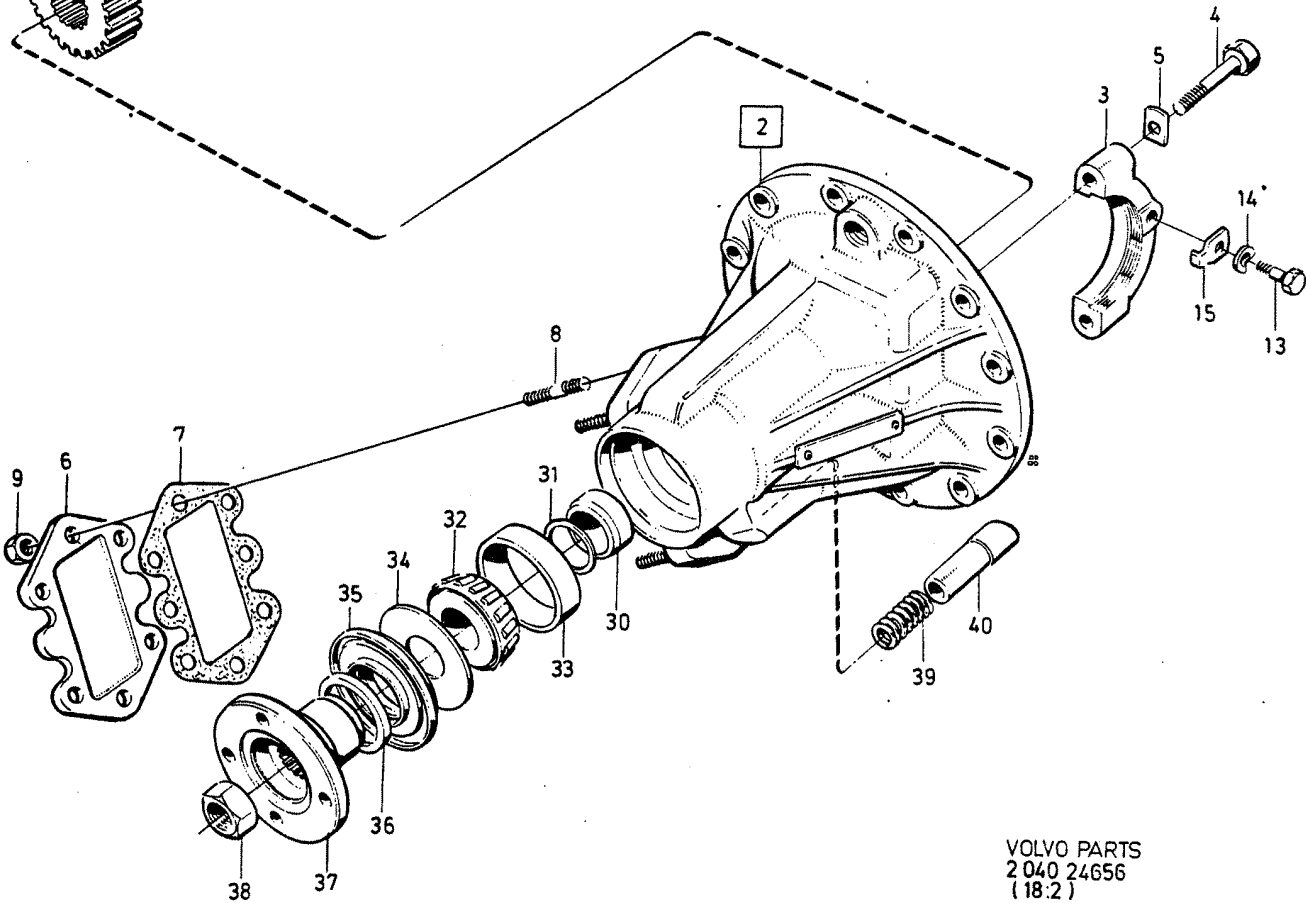
A	642735	CENTRUMVÄXEL					DIFFERENTIAL CARRIER			Grupp	
	B									642736	46
C	644702									Sida	
D	644703									Page	
E	644703									315	
Pos	Artikel nr Part No.	Antal /Quantity					P S	Benämning	Description	Anmärkning Notes	S R
		A	B	C	D	E					
1	(642735)	1	-	-	-	-	SP	Centrumväxel	Final drive	UTV 3,44/1	5
	(642736)	-	1	-	-	-	SP	Centrumväxel	Final drive	UTV 3,44/1	
	(644702)	-	-	1	-	-	SP	Centrumväxel	Differential carrier	UTV 2,91/1	
	(644703)	-	-	-	1	-	SP	Centrumväxel	Final drive	UTV 2,91/1	
2	(642733)	1	-	1	-	-	SP	• Växelhus	• Gear housing	REPL 1PCS 1522465-2.	
	(643667)	-	1	-	1	-	SP	• Växelhus	• Gear housing	REPL 1PCS 1522465-2.	
	1522465-2	1	1	1	1	-		• Växelhus	• Gear housing		5
3		2	2	2	2	-	NS	• • Överfall	• • Cap		
4	960719-3	4	4	4	4	-		• • Skruv	• • Screw		2
5	15007-8	4	4	4	4	-		• • Låsbricka	• • Lock washer		2
6	953259-9	6	-	6	-	-		• Pinnskruv	• Stud		2
7	950354-1	6	-	6	-	-		• Låsmutter	• Lock nut		2
8	183481-1	2	2	2	2	-		• Yttering	• Cup		2
9	183482-9	2	2	2	2	-		• Innerring	• Cone		2
10	640246-5	2	2	2	2	-		• Ställmutter	• Bearing adjuster		4
11	955512-9	2	2	2	2	-		• Skruv	• Screw		2
12	941906-0	2	2	2	2	-		• Fjäderbricka	• Spring washer		2
13	640247-3	2	2	2	2	-		• Låsbleck	• Striker plate		3
14	644105-9	1	-	-	-	-		• Kronhjul/pinjong	• Crown wheel/pinion		3
	643670-3	-	1	-	-	-		• Kronhjul/pinjong	• Crown wheel/pinion		3
	644686-8	-	-	1	-	-		• Kronhjul/pinjong	• Crown wheel/pinion		3
	644700-7	-	-	-	1	-		• Kronhjul/pinjong	• Crown wheel/pinion		3
15	640244-0	1	1	1	1	-		• Differentialhus	• Differential housing		4
16	102728-3	10	10	10	10	-		• Skruv	• Screw		2
17	384201-0	1	1	1	1	-		• Axeltapp	• Spindle		3
18		2	2	2	2	-	KN	• Drev	• Drive gear		
18a	273224-6	1	1	1	1	-		• Differentialdrevsats	• Differential pinion set		3
19		X	-	-	-	-	NS	• Tryckbricka	• Thrust washer		
		-	-	-	-	-		• • SEE 46 • 317	• • SEE 46 • 317		
20		2	2	2	2	-	KN	• Drev	• Drive gear		
21	384209-3	2	2	2	2	-		• Tryckbricka	• Thrust washer		3
22	951981-0	1	1	1	1	-		• Rörpinne	• Spring pin		2
23	84218-7	X	X	X	X	-		• Mellanlägg	• Spacer	THK 0.35	3
	84219-5	X	X	X	X	-		• Mellanlägg	• Spacer	THK 0.10	3
24	181303-9	1	1	1	1	-		• Innerring	• Cone		2
25	181304-7	1	1	1	1	-		• Yttering	• Cup		2
26	638199-0	1	-	1	-	-		• Distanshylsa	• Spacer sleeve		3
27	644104-2	1	-	1	-	-		• Kugghjul	• Gear		3
28	644111-7	1	-	1	-	-		• Distanshylsa	• Spacer sleeve		3
	644110-9	-	1	-	1	-		• Distanshylsa	• Spacer sleeve		3
29	191834-1	X	X	X	X	-		• Justerbleck	• Shim	THK 0,08	2
	191835-8	X	X	X	X	-		• Justerbleck	• Shim	THK 0,13	2
	191837-4	X	X	X	X	-		• Justerbleck	• Shim	THK 0,25	2
	191836-6	X	X	X	X	-		• Justerbleck	• Shim	THK 0,75	2
30	181301-3	1	1	1	1	-		• Innerring	• Cone		2
31	181302-1	1	1	1	1	-		• Yttering	• Cup		2
32	80506-9	1	1	1	1	-		• Tättningsbricka	• Sealing washer		2
33	942905-1	1	1	1	1	-		• Tätning	• Seal		2
34	81388-1	1	1	1	1	-		• Dammskydd	• Dust cover		2
35	384720-9	1	1	1	1	-		• Medbringare	• Companion flange		3
36	946831-5	1	1	1	1	-		• Mutter	• Nut		2
37	640248-1	1	1	1	1	-		• Fjäder	• Spring		3
38		1	1	-	-	-	NS	• Oljeskrapa	• Blade		
	644714-8	-	-	1	-	-		• Skrapa	• Scraper		3



1

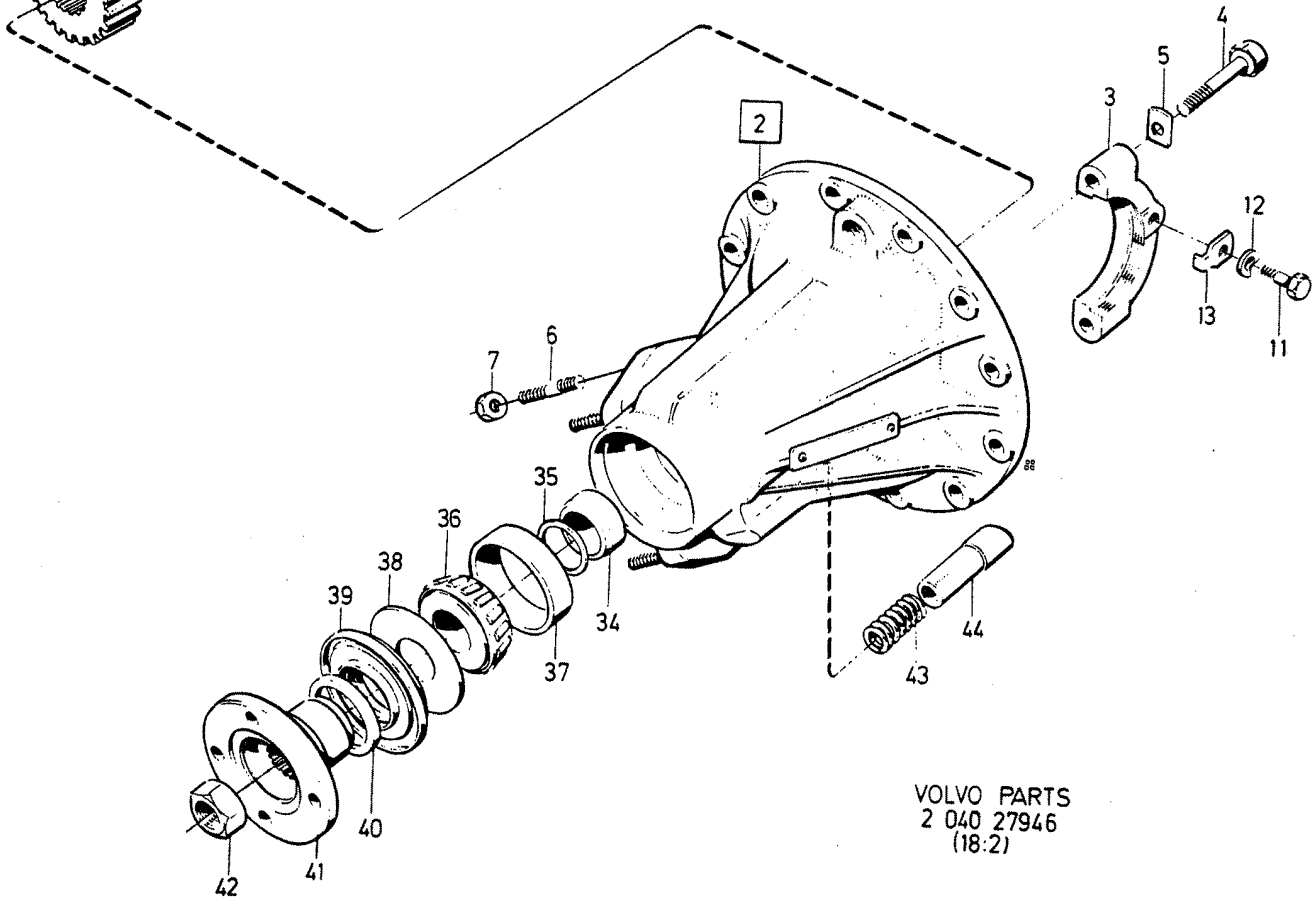
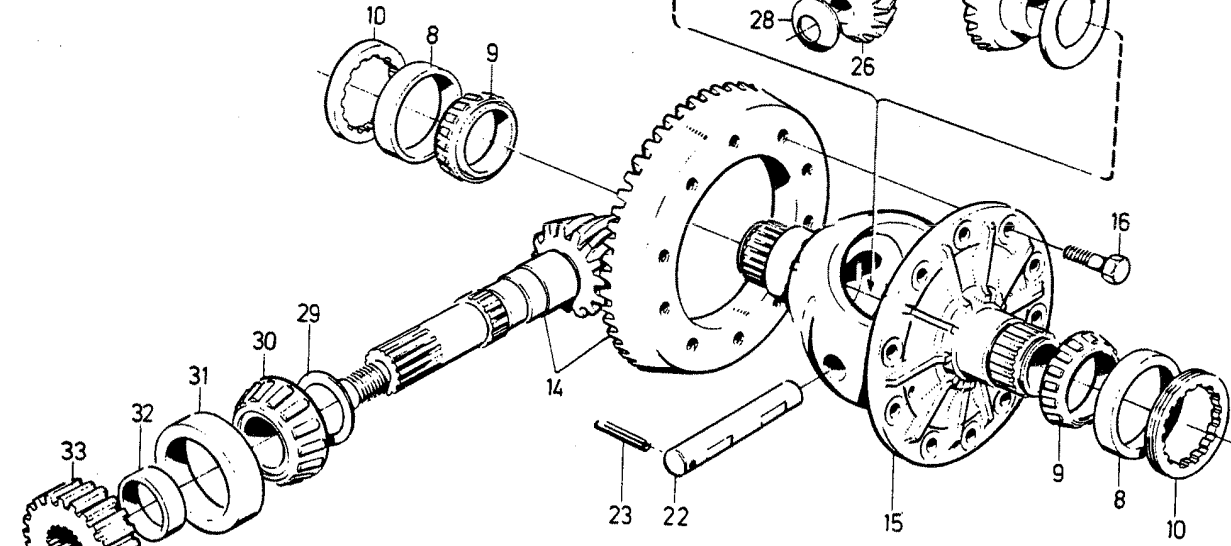
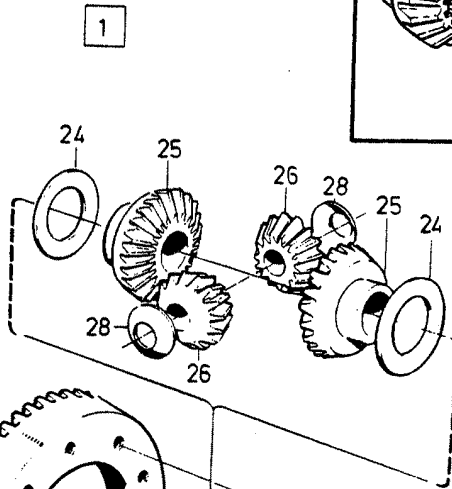
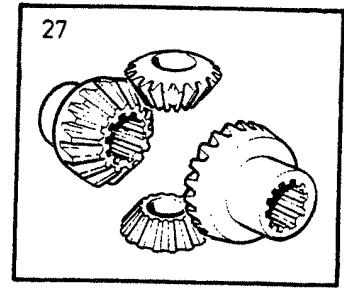
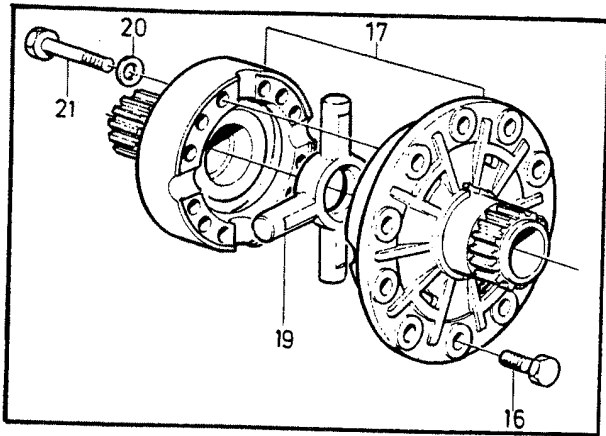


2



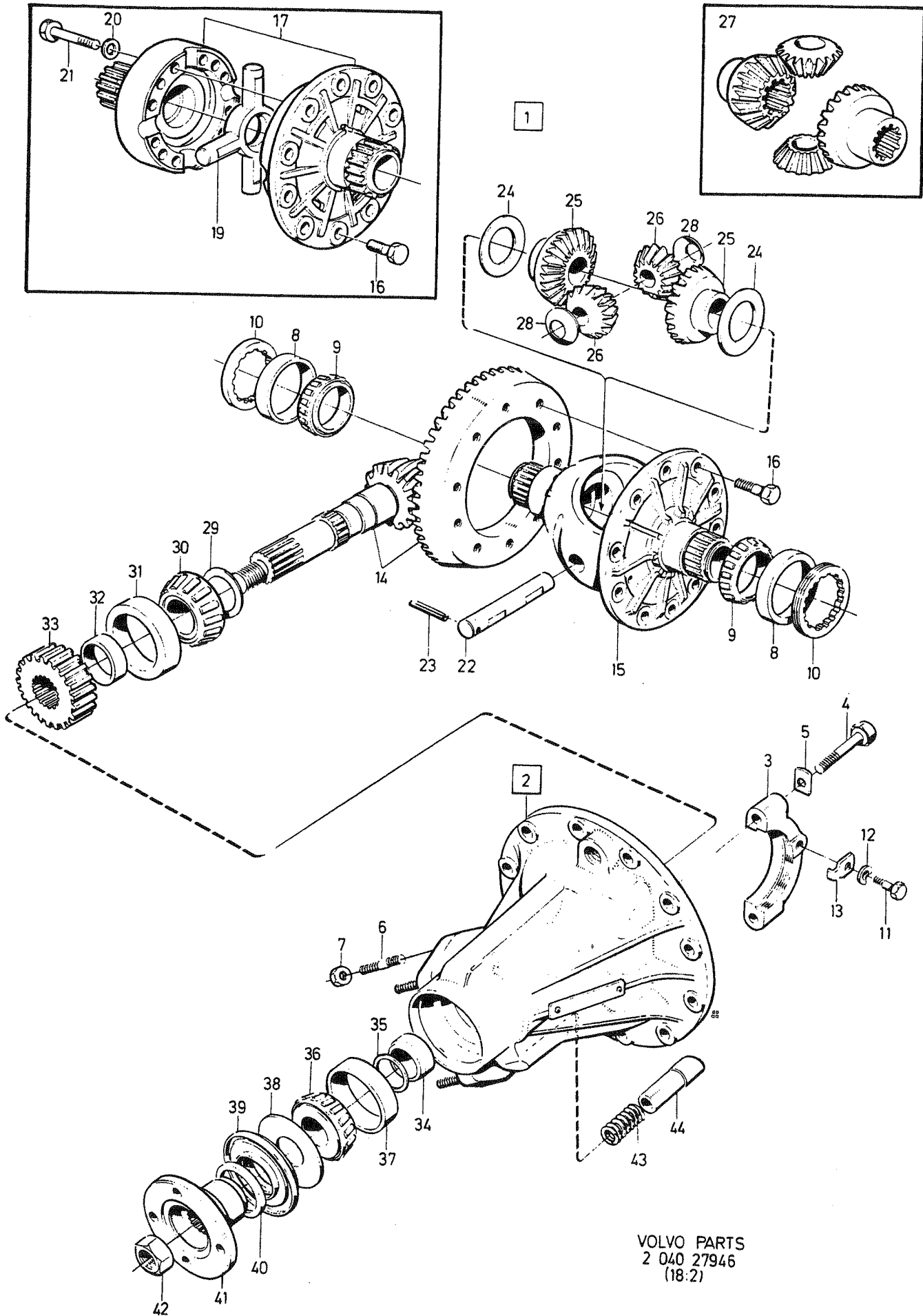
VOLVO PARTS
2 040 24656
(18:2)

A	1562047	CENTRUMVÄXEL					DIFFERENTIAL CARRIER		Grupp		
									Group		
B	1562048								46		
C											
D											
E											
Pos	Artikel nr Part No.	Antal /Quantity									
		A	B	C	D	E					
1	1562047-9	1	-	-	-	-		Centrumväxel	Differential carrier	3,44/1	5
	1562048-7	-	1	-	-	-		Centrumväxel	Differential carrier	2,91/1	5
2	1522465-2	1	1	-	-	-		• Växelhus	• Gear housing		5
3		2	2	-	-	-	NS	• Överfall	• Cap		
4	960719-3	4	4	-	-	-		• Skruv	• Screw		2
5	15007-8	4	4	-	-	-		• Låsbricka	• Lock washer		2
6	640241-6	1	1	-	-	-		• Lock	• Cover		4
7	640242-4	1	1	-	-	-		• Packning	• Gasket		2
8	953259-9	6	6	-	-	-		• Pinnskruv	• Stud		2
9	950354-1	6	6	-	-	-		• Låsmutter	• Lock nut		2
10	183481-1	2	2	-	-	-		• Yttering	• Cup		2
11	183482-9	2	2	-	-	-		• Innerring	• Cone		2
12	640246-5	2	2	-	-	-		• Ställmutter	• Bearing adjuster		4
13	955512-9	2	2	-	-	-		• Skruv	• Screw		2
14	941906-0	2	2	-	-	-		• Fjäderbricka	• Spring washer		2
15	640247-3	2	2	-	-	-		• Låsbleck	• Striker plate		3
16	644686-8	-	1	-	-	-		• Kronhjul/pinjong	• Crown wheel/pinion		3
	644105-9	1	-	-	-	-		• Kronhjul/pinjong	• Crown wheel/pinion		3
17	640244-0	1	1	-	-	-		• Differentialhus	• Differential housing		4
18	102728-3	10	10	-	-	-		• Skruv	• Screw		2
19	384201-0	1	1	-	-	-		• Axeltapp	• Spindle		3
20		2	2	-	-	-	KN	• Drev	• Drive gear		
21	383171-6	X	X	-	-	-		• Justerbricka	• Adjusting washer	THK 0,74	3
	383172-4	X	X	-	-	-		• Justerbricka	• Adjusting washer	THK 0,76	3
	383173	X	X	-	-	-	OP	• Tryckbricka	• Thrust washer	THK 0,78	3
	383174-0	X	X	-	-	-		• Justerbricka	• Adjusting washer	THK 0,80	3
	383175-7	X	X	-	-	-		• Justerbricka	• Adjusting washer	THK 0,82	3
	383176-5	X	X	-	-	-		• Justerbricka	• Adjusting washer	THK 0,84	3
	383177-3	X	X	-	-	-		• Justerbricka	• Adjusting washer	THK 0,86	3
	383178-1	X	X	-	-	-		• Justerbricka	• Adjusting washer	THK 0,88	3
	383179-9	X	X	-	-	-		• Justerbricka	• Adjusting washer	THK 0,90	3
	383180-7	X	X	-	-	-		• Justerbricka	• Adjusting washer	THK 0,92	3
	383181	X	X	-	-	-	OP	• Tryckbricka	• Thrust washer	THK 0,94	3
	383182-3	X	X	-	-	-		• Justerbricka	• Adjusting washer	THK 0,96	3
		X	X	-	-	-	NS	• Tryckbricka	• Thrust washer	THK 0,98	
22		2	2	-	-	-	KN	• Drev	• Drive gear		
22a	273224-6	1	1	-	-	-		• Differentialdrevsats	• Differential pinion set		3
23	384209-3	2	2	-	-	-		• Tryckbricka	• Thrust washer		3
24	951981-0	1	1	-	-	-		• Rörpinne	• Spring pin		2
25	84218-7	X	X	-	-	-		• Mellanlägg	• Spacer	THK 0,35	3
	84219-5	X	X	-	-	-		• Mellanlägg	• Spacer	THK 0,10	3
26	181303-9	1	1	-	-	-		• Innerring	• Cone		2
27	181304-7	1	1	-	-	-		• Yttering	• Cup		2
28	638199-0	1	1	-	-	-		• Distanshylsa	• Spacer sleeve		3
29	644104-2	1	1	-	-	-		• Kugghjul	• Gear		3
30	644111-7	1	1	-	-	-		• Distanshylsa	• Spacer sleeve		3
31	191834-1	X	X	-	-	-		• Justerbleck	• Shim	THK 0,08	2
	191835-8	X	X	-	-	-		• Justerbleck	• Shim	THK 0,13	2
	191837-4	X	X	-	-	-		• Justerbleck	• Shim	THK 0,25	2
	191836-6	X	X	-	-	-		• Justerbleck	• Shim	THK 0,75	2
32	181301-3	1	1	-	-	-		• Innerring	• Cone		2
33	181302-1	1	1	-	-	-		• Yttering	• Cup		2
34	80506-9	1	1	-	-	-		• Tätningsbricka	• Sealing washer		2
35	942905-1	1	1	-	-	-		• Tätning	• Seal		2
36	81388-1	1	1	-	-	-		• Dammskydd	• Dust cover		2
37	384720-9	1	1	-	-	-		• Medbringare	• Companion flange		3
38	946831-5	1	1	-	-	-		• Mutter	• Nut		2
39	640248-1	1	1	-	-	-		• Fjäder	• Spring		3
40	644714-8	1	1	-	-	-		• Skrapa	• Scraper		3



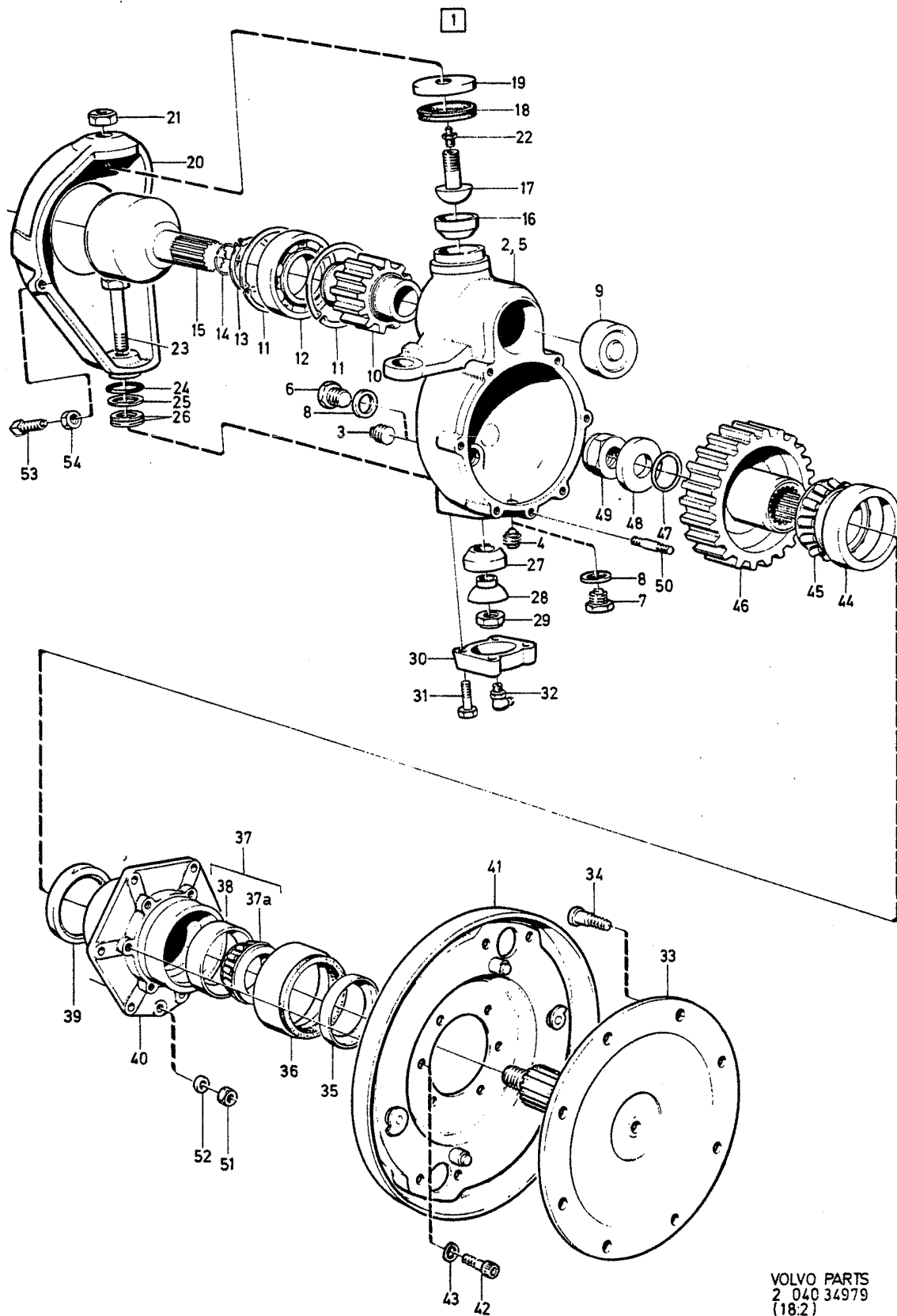
VOLVO PARTS
2 040 27946
(18:2)

A	1522994	CENTRUMVÄXEL					DIFFERENTIAL CARRIER			Grupp	S
	B									1522995	
C	1522996	TGB20								46	
D										Sida	
E		319									
Pos	Artikel nr Part No.	Antal /Quantity					P S	Benämning	Description	Anmärkning Notes	S
		A	B	C	D	E					
1	1522994-1	1	-	-	-	-		Centrumväxel	Differential carrier	UTV 3,67/1.	5
	1522995-8	-	1	-	-	-		Centrumväxel	Differential carrier	UTV 3,67/1.	5
	1522996-6	-	-	1	-	-		Centrumväxel	Differential carrier	UTV 3,67/1.	5
2	1522465-2	1	1	1	-	-		• Växelhus	• Gear housing		5
3		2	2	2	-	-	NS	• • Överfall	• • Cap		
4	960719-3	4	4	4	-	-		• • Skruv	• • Screw		2
5	15007-8	4	4	4	-	-		• • Låsbricka	• • Lock washer		2
6	953259-9	-	6	-	-	-		• Pinnskruv	• Stud		2
7	950354-1	-	6	-	-	-		• Låsmutter	• Lock nut		2
8	183481-1	2	2	2	-	-		• Yttering	• Cup		2
9	183482-9	2	2	2	-	-		• Innerring	• Cone		2
10	640246-5	2	2	2	-	-		• Ställmutter	• Bearing adjuster		4
11	955512-9	2	2	2	-	-		• Skruv	• Screw		2
12	941906-0	2	2	2	-	-		• Fjäderbricka	• Spring washer		2
13	640247-3	2	2	2	-	-		• Låsbleck	• Striker plate		3
14	1522991-7	1	-	1	-	-		• Kronhjul/pinjong	• Crown wheel/pinion		3
								Pinjong	Pinion		
	1522997-4	-	1	-	-	-		• Kronhjul/pinjong	• Crown wheel/pinion		3
								Pinjong	Pinion		
15	640244-0	1	-	-	-	-		• Differentialhus	• Differential housing		4
16	102728-3	10	10	10	-	-		• Skruv	• Screw		2
17	1526556-4	-	1	1	-	-		• Differentialhus	• Differential housing	COMPL	4
19	1563868-7	-	1	1	-	-		• Axelkors	• Spider		3
20	941907-8	-	12	12	-	-		• Fjäderbricka	• Spring washer		2
21	963226-6	-	12	12	-	-		• Skruv	• Screw		2
22	384201-0	1	-	-	-	-		• Axeltapp	• Spindle		3
23	951981-0	1	-	-	-	-		• Rörpinne	• Spring pin		2
24	383171-6	X	X	X	-	-		• Justerbricka	• Adjusting washer	THK 0,74	3
	383172-4	X	X	X	-	-		• Justerbricka	• Adjusting washer	THK 0,76	3
	383173	X	X	X	-	-	OP	• Tryckbricka	• Thrust washer	THK 0,78	3
	383174-0	X	X	X	-	-		• Justerbricka	• Adjusting washer	THK 0,80	3
	383175-7	X	X	X	-	-		• Justerbricka	• Adjusting washer	THK 0,82	3
	383176-5	X	X	X	-	-		• Justerbricka	• Adjusting washer	THK 0,84	3
	383177-3	X	X	X	-	-		• Justerbricka	• Adjusting washer	THK 0,86	3
	383178-1	X	X	X	-	-		• Justerbricka	• Adjusting washer	THK 0,88	3
	383179-9	X	X	X	-	-		• Justerbricka	• Adjusting washer	THK 0,90	3
	383180-7	X	X	X	-	-		• Justerbricka	• Adjusting washer	THK 0,92	3
	383181	X	X	X	-	-	OP	• Tryckbricka	• Thrust washer	THK 0,94	3
	383182-3	X	X	X	-	-		• Justerbricka	• Adjusting washer	THK 0,96	3
25		2	2	2	-	-	KN	• Drev	• Drive gear		
26		2	4	4	-	-	KN	• Drev	• Drive gear		
27	273244	1	-	-	-	-	NS	• Drevsats	• Drive gear set		
	273751-8	-	1	1	-	-		• Differentialdrevsats	• Differential pinion set		3
28	384209-3	2	4	4	-	-		• Tryckbricka	• Thrust washer		3
29	84218-7	X	X	X	-	-		• Mellanlägg	• Spacer	THK 0,35	3
	84219-5	X	X	X	-	-		• Mellanlägg	• Spacer	THK 0,10	3
30	181303-9	1	1	1	-	-		• Innerring	• Cone		2
31	181304-7	1	1	1	-	-		• Yttering	• Cup		2
32	638199-0	-	1	-	-	-		• Distanshylsa	• Spacer sleeve		3
33	644104-2	-	1	-	-	-		• Kugghjul	• Gear		3
34	644111-7	-	1	-	-	-		• Distanshylsa	• Spacer sleeve		3
	644110-9	1	-	1	-	-		• Distanshylsa	• Spacer sleeve		3
35	191834-1	X	X	X	-	-		• Justerbleck	• Shim	THK 0,08	2
	191835-8	X	X	X	-	-		• Justerbleck	• Shim	THK 0,13	2
	191837-4	X	X	X	-	-		• Justerbleck	• Shim	THK 0,25	2
	191836-6	X	X	X	-	-		• Justerbleck	• Shim	THK 0,75	2
36	181302-1	1	1	1	-	-		• Yttering	• Cup		2
37	181301-3	1	1	1	-	-		• Innerring	• Cone		2
38	80506-9	1	1	1	-	-		• Tätningsbricka	• Sealing washer		2
39	942905-1	1	1	1	-	-		• Tätning	• Seal		2
40	81388-1	1	1	1	-	-		• Dammskydd	• Dust cover		2
41	384720-9	1	1	1	-	-		• Medbringare	• Companion flange		3



VOLVO PARTS
 2 040 27946
 (18:2)

A	1522994	CENTRUMVÄXEL					DIFFERENTIAL CARRIER					Grupp Group	
	B											1522995	46
C	1522996	TGB20					Sida Page						
D							321						
E													
Pos	Artikel nr Part No.	Antal /Quantity					P S	Benämning	Description	Anmärkning Notes	S R		
		A	B	C	D	E							
42	946831-5	1	1	1	-	-		• Mutter	• Nut		2		
43	640248-1	1	1	1	-	-		• Fjäder	• Spring		3		
44	644714-8	1	1	1	-	-		• Skrapa	• Scraper		3		

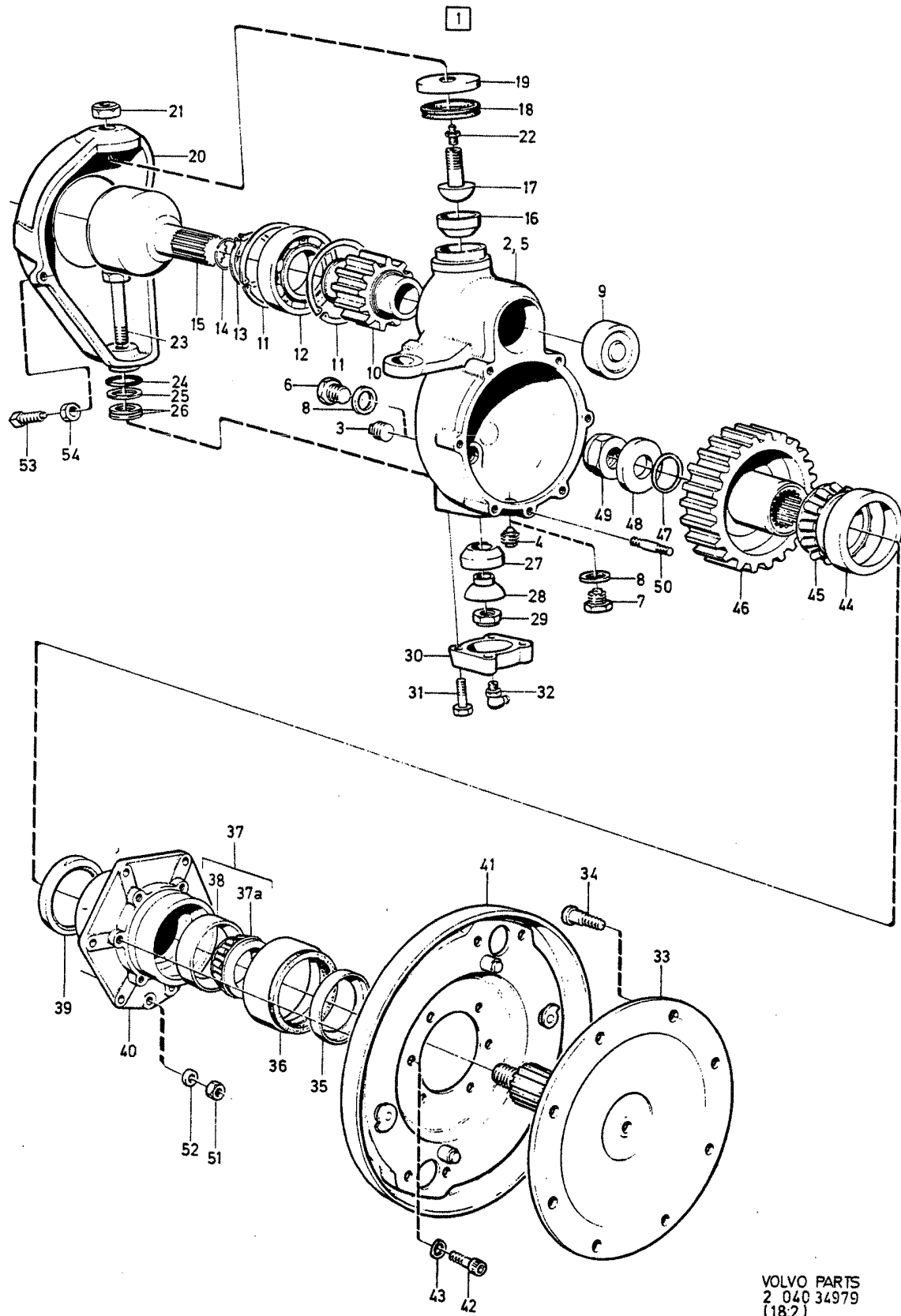


VOLVO PARTS
 2 040 34979
 (18:2)

A	1522922	HJULVÄXEL					WHEEL GEAR		Grupp Group		
	B								1522923	46	
C									Sida Page		
D									323		
E											
Pos	Artikel nr Part No.	Antal /Quantity					P S	Benämning	Description	Anmärkning Notes	S R
		A	B	C	D	E					
1	1522922-2	1	-	-	-	-		Hjulväxel, v	Wheel gear, l.h.		3
	1522923-0	-	1	-	-	-		Hjulväxel, h	Wheel gear, r.h.		3
2	(642342)	1	1	-	-	-	NS	• Hus	• Housing	TID UTF	
	(642343)	-	-	-	-	-	SP	•• Hjulväxelhus	•• Wheel gear housing	1)	
3	952358-0	1	1	-	-	-	SP	•• Hjulväxelhus	•• Wheel gear housing	2)	
4	951901-8	1	1	-	-	-		•• Plugg	•• Plug	1/2"X14	2
5		1	1	-	-	-	NS	•• Plugg	•• Plug	1/2"X14	2
	1522466-0	1	-	-	-	-		• Hus	• Housing	ALTER2	
	1522467-8	-	1	-	-	-		•• Hjulväxelhus	•• Wheel gear housing		3
6	960634-4	1	1	-	-	-		•• Hjulväxelhus	•• Wheel gear housing	M22X1,5	3
7	947585-6	1	1	-	-	-		•• Plugg	•• Plug	M22X1,5	2
8	18677-5	2	2	-	-	-		•• Plugg	•• Plug		2
9	183637-8	1	1	-	-	-		•• Packning	•• Gasket		2
10	642372-7	1	1	-	-	-		• Nällager	• Needle bearing		2
11	943946-4	2	2	-	-	-		• Kuggjul	• Gear		3
12	11017-1	1	1	-	-	-		• Spärring	• Retaining ring		2
13	914472-6	1	1	-	-	-		• Kullager	• Ball bearing		2
14	947614-4	1	1	-	-	-		• Spärring	• Retaining ring		2
15	642360-2	1	1	-	-	-		• Spärring	• Retaining ring		2
16	642851-0	1	1	-	-	-		• Rzeppaknut	• Rzeppa joint		3
17	642837-9	1	1	-	-	-		• Lagerskål, övre	• Bearing shell, upper		3
18	946243-3	1	1	-	-	-		• Styrtapp	• Guide pin		3
19	637835-0	1	1	-	-	-		• Tätningsring	• Sealing ring		2
20	1562213-7	1	1	-	-	-		• Skyddskåpa	• Protecting casing		3
21	950388-9	1	1	-	-	-		• Styvspindel	• Steering knuckle		3
22	951739-2	1	1	-	-	-		• Mutter	• Nut		2
23	642850-2	1	1	-	-	-		• Smörjnippel	• Lubricating nipple		2
24	955997-2	1	1	-	-	-		• Styrtapp	• Guide pin		3
25	946250-8	1	1	-	-	-		• O-ring	• O-ring		2
26	642848-6	X	X	-	-	-		• O-ring	• O-ring	THK 0.50	2
	642846-0	X	X	-	-	-		• Tätningsring	• Sealing ring	THK 0.60	3
	642847-8	X	X	-	-	-		• Justerbleck	• Shim	THK 0.80	3
27	642852-8	1	1	-	-	-		• Justerbleck	• Shim		3
28	642836-1	1	1	-	-	-		• Lagerskål, undre	• Bearing shell, lower		3
29	950388-9	1	1	-	-	-		• Styrtapp	• Guide pin		3
30	642838-7	1	1	-	-	-		• Mutter	• Nut		2
31	940117-5	4	4	-	-	-		• Lock	• Cover		3
32	951741-8	1	1	-	-	-		• Skruv	• Screw		2
33	642369-3	1	1	-	-	-		• Smörjnippel	• Lubricating nipple		2
34	642414-7	8	8	-	-	-		• Drivaxel	• Drive shaft		3
35	642373-5	1	1	-	-	-		• Hjulbult	• Wheel stud		3
36	946099-9	1	1	-	-	-		• Slitring	• Wear ring		3
37	183430-8	1	-	-	-	-		• Tätningsring	• Sealing ring		2
37a	183430-8	1	1	-	-	-		• Lager	• Bearing	(183428)	2
38	183430-8	1	1	-	-	-		• Lager	• Bearing	(183429)	2
39	959026-6	1	1	-	-	-		• Tätningsring	• Sealing ring		2
40	642344-6	1	1	-	-	-		• Lagerhus	• Bearing housing		3
41	1560832-6	1	-	-	-	-					3
41	1560833-4	-	1	-	-	-		• Bromssköld	• Backing plate		3
42	1523025-3	6	6	-	-	-		• Bromssköld	• Backing plate		3
43	940097-9	6	6	-	-	-		• Skruv	• Screw		2
44	183505-7	1	1	-	-	-		• Bricka	• Washer		2
45	183506-5	1	1	-	-	-		• Yttering	• Cup		2
46	642371-9	1	1	-	-	-		• Innerring	• Cone		2
47	949658-9	1	1	-	-	-		• Kuggjul	• Gear		3
48	945792-0	1	1	-	-	-		• O-ring	• O-ring	(925061)	2
49	1523031-1	1	1	-	-	-		• Bricka	• Washer	(945793)	3
		1	1	-	-	-		• Mutter	• Nut		3

1) ERS AV 1st 1522466-0, 1st 960634-4, 1st 947585-6, 2st 18677-5.

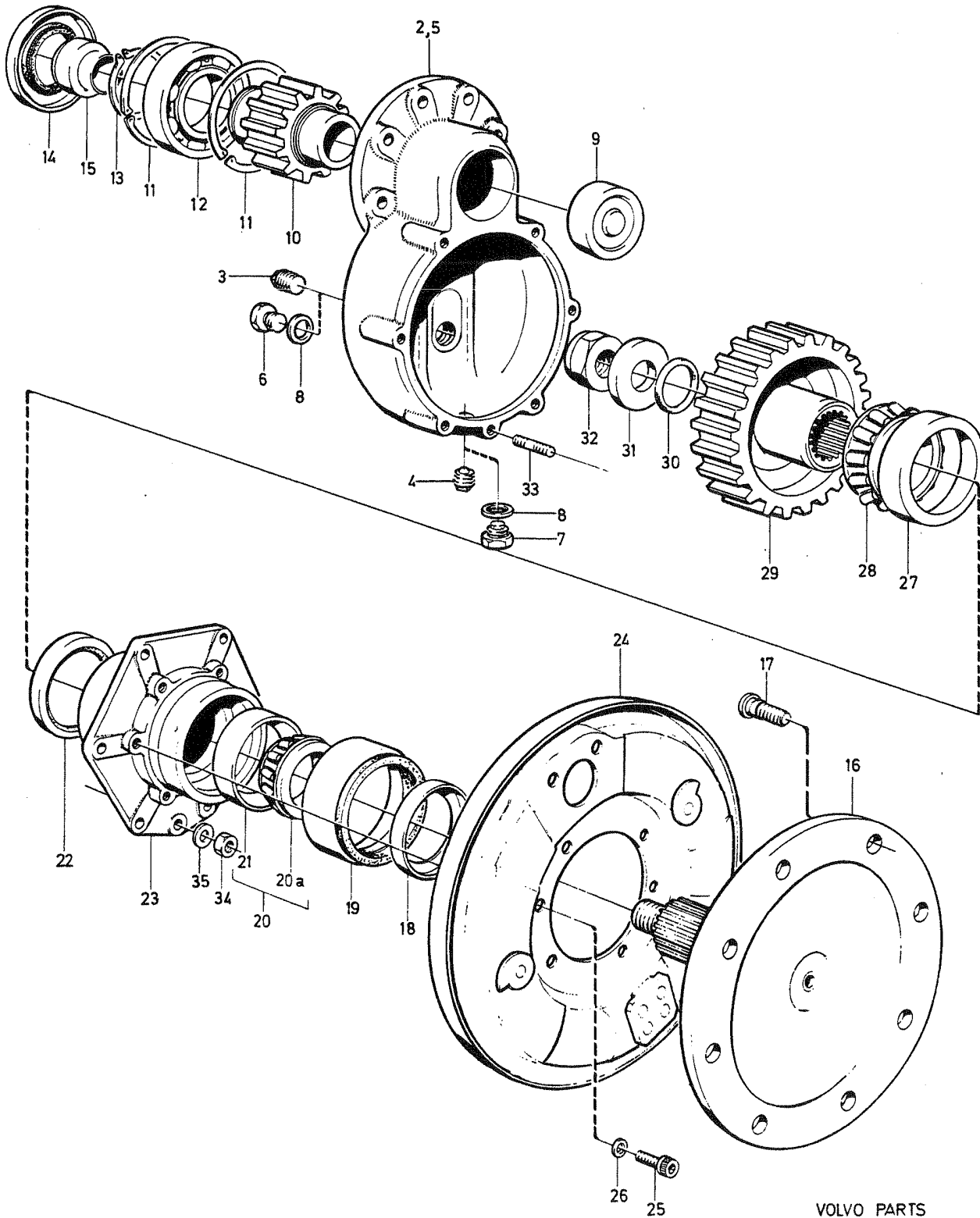
2) ERS AV 1st 1522467-8, 1st 960634-4, 1st 947585-6, 2st 18677-5.



VOLVO PARTS
 2 040 34979
 (18.2)

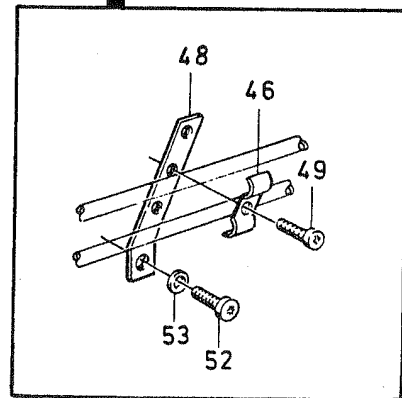
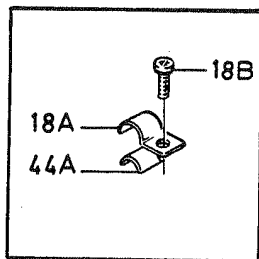
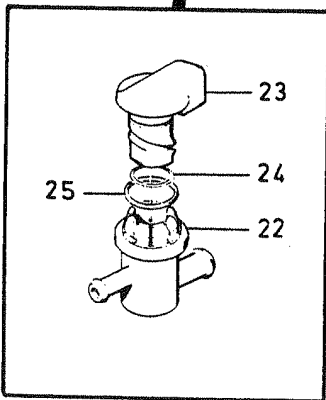
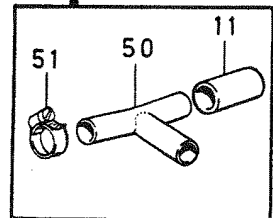
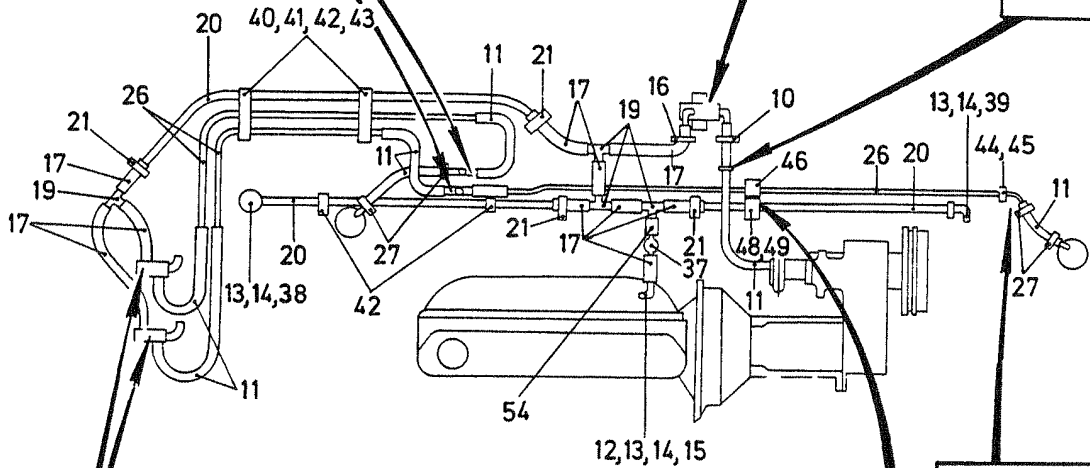
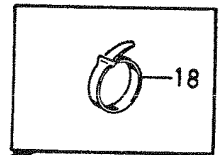
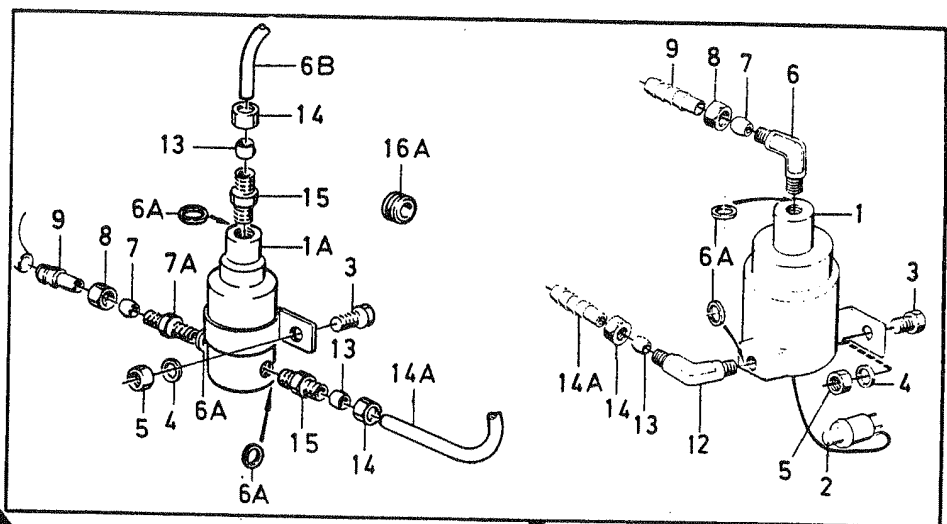
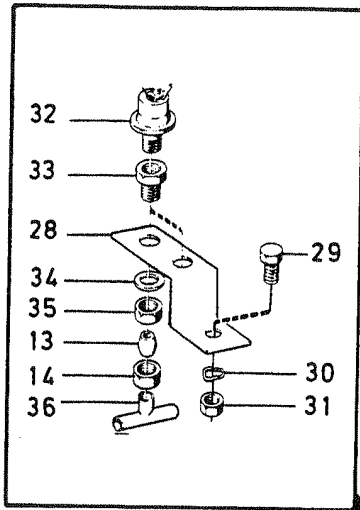
A	1522922	HJULVÄXEL					WHEEL GEAR			Grupp		
	B									1522923	46	
	C										Sida	
	D										Page	
	E										325	
Pos	Artikel nr Part No.	Antal /Quantity					P S	Benämning	Description	Anmärkning Notes	S R	
		A	B	C	D	E						
50	953287-0	1	1	-	-	-		• Pinnskruv	• Stud		2	
51	940157-1	7	7	-	-	-		• Mutter	• Nut		2	
52	941909-4	7	7	-	-	-		• Fjäderbricka	• Spring washer		2	
53	951615-4	1	1	-	-	-		• Skruv	• Screw		2	
54	955835-4	1	1	-	-	-		• Mutter	• Nut		2	

1



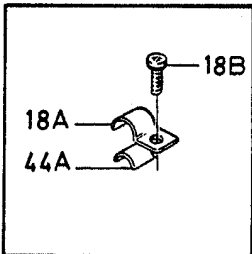
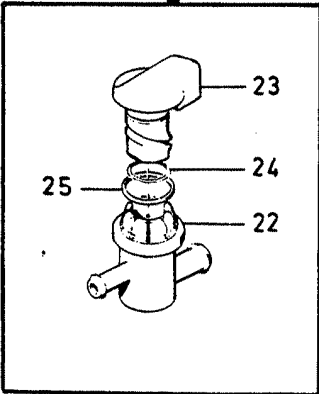
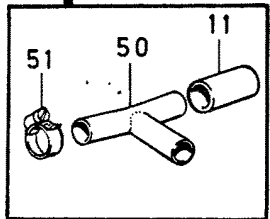
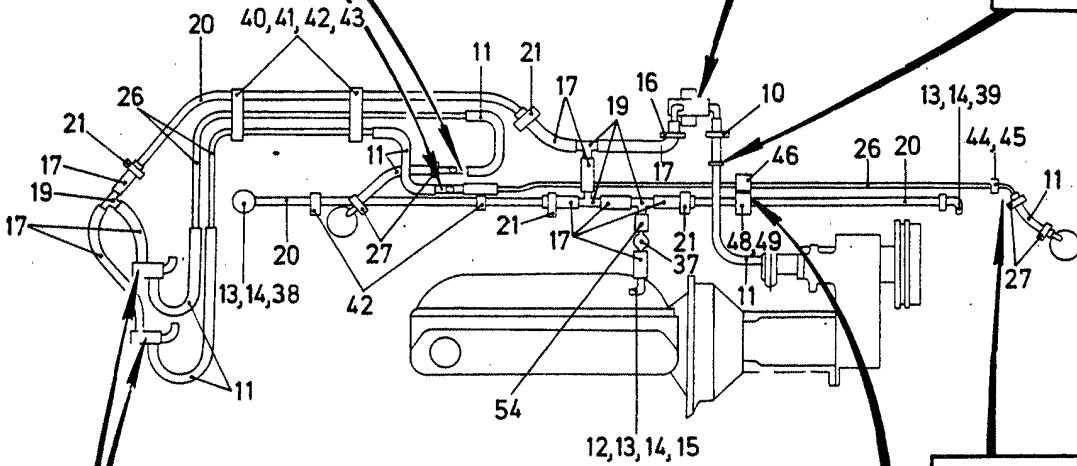
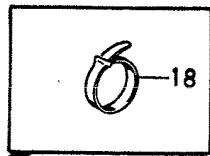
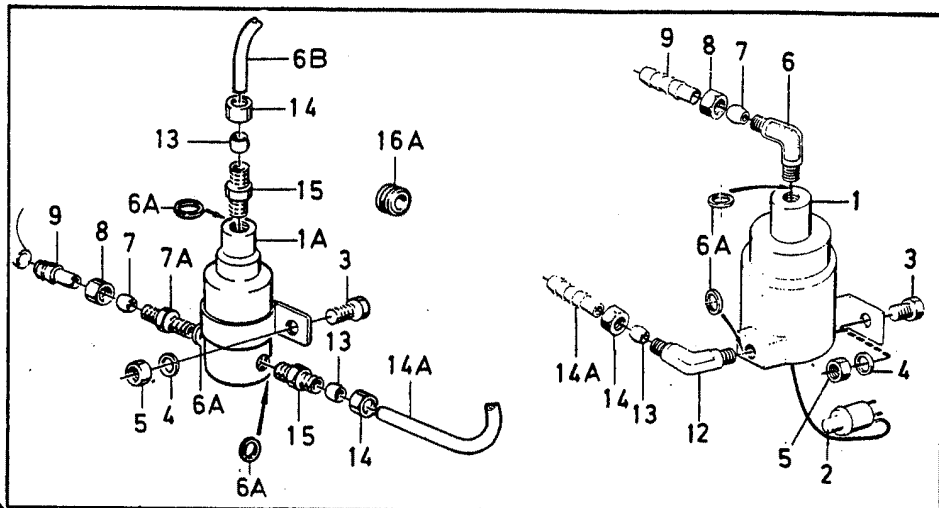
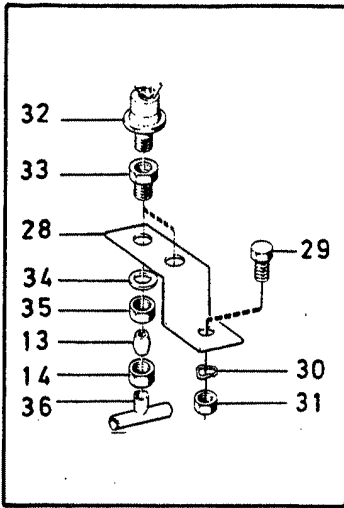
VOLVO PARTS
2 04C 34980
(18.2)

A	ALTER1					HJULVÄXEL	WHEEL GEAR	Grupp Group								
	B	ALTER2							S	Benämning	Description	Anmärkning Notes	S R			
		C	Antal /Quantity													
			D	A	B									C	D	E
				E												
1	(642410)	1	-	-	-	-	SP	Hjulväxel, v	Wheel gear, l.h.	REPL 1PCS 1522924-8.						
	(642411)	1	-	-	-	-	SP	Hjulväxel	Wheel gear	REPL 1PCS 1522925-5.	1					
	(1522277)	1	-	-	-	-	SP	Hjulväxel, v	Wheel gear, l.h.	REPL 1PCS 1522924-8.						
	(1522278)	1	-	-	-	-	SP	Hjulväxel, h	Wheel gear, r.h.	REPL 1PCS 1522925-5.						
	1522924-8	-	1	-	-	-		Hjulväxel, v	Wheel gear, l.h.		3					
	1522925-5	-	1	-	-	-		Hjulväxel, h	Wheel gear, r.h.		3					
2		1	-	-	-	-	NS	• Hus	• Housing							
	(642346)	1	-	-	-	-	SP	•• Hjulväxelhus	•• Wheel gear housing	REPL 1PCS 1522468-6, 1PCS 960634-4, 1PCS 947585-6, 2PCS 18677-5.	6					
3	952358-0	1	-	-	-	-		•• Plugg	•• Plug	1/2"	2					
4	951901-8	1	-	-	-	-		•• Plugg	•• Plug	1/2"	2					
5		-	1	-	-	-		• Hus	• Housing							
6	1522468-6	-	1	-	-	-		•• Hjulväxelhus	•• Wheel gear housing		3					
7	960634-4	-	1	-	-	-		•• Plugg	•• Plug	M22	2					
8	947585-6	-	1	-	-	-		•• Plugg	•• Plug	M22	2					
9	18677-5	-	2	-	-	-		•• Packning	•• Gasket		2					
10	183637-8	1	1	-	-	-		• Nållager	• Needle bearing		2					
11	642372-7	1	1	-	-	-		• Kugghjul	• Gear		3					
12	943946-4	1	1	-	-	-		• Spärring	• Retaining ring		2					
13	11017-1	1	1	-	-	-		• Kullager	• Ball bearing		2					
14	914472-6	1	1	-	-	-		• Spärring	• Retaining ring		2					
15	947664-9	1	1	-	-	-		• Tätningsring	• Sealing ring		2					
16	1560180-0	1	1	-	-	-		• Stöd	• Support		3					
17	642369-3	1	1	-	-	-		• Drivaxel	• Drive shaft		3					
18	642414-7	8	8	-	-	-		• Hjulbult	• Wheel stud		3					
19	642373-5	1	1	-	-	-		• Slitring	• Wear ring		3					
20	946099-9	1	1	-	-	-		• Tätningsring	• Sealing ring		2					
21	183430-8	1	-	-	-	-		• Lager	• Bearing		2					
20a	(183428)	1	1	-	-	-	SP	•• Innerring	•• Cone	REPL 1PCS 183430-8.	2					
21	(183429)	1	1	-	-	-	SP	•• Yttering	•• Cup	REPL 1PCS 183430-8	2					
22	959026-6	1	1	-	-	-		• Tätningsring	• Sealing ring		2					
23	642344-6	1	1	-	-	-		• Lagerhus	• Bearing housing		3					
24	1560841-7	-	1	-	-	-		• Bromssköld, v	• Backing plate, l.h.		5					
	1560842-5	-	1	-	-	-		• Bromssköld, h	• Backing plate, r.h.		5					
25	1523025-3	6	6	-	-	-		• Skruv	• Screw		2					
26	940097-9	6	6	-	-	-		• Bricka	• Washer		2					
27	183505-7	1	1	-	-	-		• Yttering	• Cup		2					
28	183506-5	1	1	-	-	-		• Innerring	• Cone		2					
29	642371-9	1	1	-	-	-		• Kugghjul	• Gear		3					
30	949658-9	1	1	-	-	-		• O-ring	• O-ring	(925061)	2					
31	945792-0	1	1	-	-	-		• Bricka	• Washer		3					
32	1523031-1	1	1	-	-	-		• Mutter	• Nut		3					
33	953287-0	7	7	-	-	-		• Pinnskruv	• Stud		2					
34	940157-1	7	7	-	-	-		• Mutter	• Nut		2					
35	941909-4	7	7	-	-	-		• Fjäderbricka	• Spring washer		2					

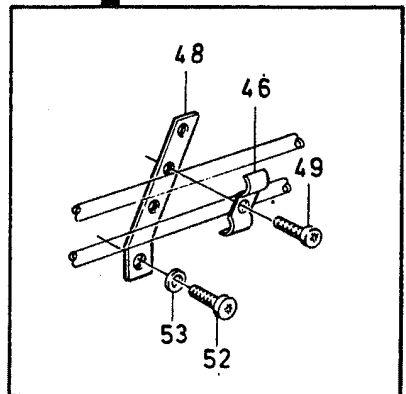


VOLVO PARTS
2 040 27948
(19:1)

A	B	C	D	E	REGLAGE DIFFERENTIALSPÄRR FRAMHJULSDRIFT					CONTROLS DIFF.LOCK FRONT WHEEL DRIVE		Grupp Group
												46
												Sida Page
												329
Pos	Artikel nr Part No.	Antal /Quantity					P S	Benämning	Description	Anmärkning Notes	S R	
		A	B	C	D	E						
1	644926-8	1	-	-	-	-	Magnetventil	Solenoid valve	24V. SPCL S-3653.	3		
	273412-7	1	-	-	-	-	• Reparationssats	• Repair kit		1		
1a	1560476-2	1	-	-	-	-	Magnetventil	Solenoid valve	12V	3		
	273412-7	1	-	-	-	-	• Reparationssats	• Repair kit		1		
2		1	-	-	-	-	Strömställare	Switch	SEE GROUP 3			
3	955513-7	2	-	-	-	-	Skruv	Screw	L.H.D	2		
	955512-9	2	-	-	-	-	Skruv	Screw	R.H.D	2		
4	941906-0	2	-	-	-	-	Fjäderbricka	Spring washer		2		
5	955825-5	2	-	-	-	-	Mutter	Nut		2		
6	329638-1	1	-	-	-	-	Vinkelförskruvning	Elbow union	CH-101	3		
6a	947084-0	2	-	-	-	-	Packning	Gasket		2		
6b	954316-6	X	-	-	-	-	Bundyrör	Bundy pipe	CH102-	2		
7	954364-6	X	-	-	-	-	Kona	Sleeve		2		
★ 7a	966411-1	X	-	-	-	-	Nippel	Nipple	(945901)	2		
8	954356-2	X	-	-	-	-	Överfallsmutter	Cap nut		2		
9	327979-1	1	-	-	-	-	Slangnippel	Hose nipple		3		
10	88273-8	1	-	-	-	-	Gummibussning	Rubber bushing		2		
11	942868-1	X	-	-	-	-	Slang	Hose		2		
12	334596-4	2	-	-	-	-	Vinkelnippel	Elbow nipple		2		
13	954364-6	X	-	-	-	-	Kona	Sleeve		2		
14	954356-2	X	-	-	-	-	Överfallsmutter	Cap nut		2		
14a	954316-6	X	-	-	-	-	Bundyrör	Bundy pipe	CH-101.	2		
15	945902-5	2	-	-	-	-	Nippel	Nipple	CH102-	2		
	329171-3	2	-	-	-	-	Slangnippel	Hose nipple	CH-101	3		
16	654541-2	1	-	-	-	-	Skyddsbusning	Protecting bushing	CH 102-	4		
16a	943920-9	X	-	-	-	-	Tätning	Seal	(961962)CH102-	2		
17	1272328-4	X	-	-	-	-	Slang	Hose	(947908)(943706)	2		
18	948211-8	2	-	-	-	-	Bandklamma	Strip clamp	(948210)	2		
	948211-8	5	-	-	-	-	Bandklamma	Strip clamp	(948210)	2		
18a	942043	2	-	-	-	-	NS Klamma	Clamp	SPCL S-3758.			
18b	955143-3	2	-	-	-	-	Skruv	Screw		2		
19	419446-0	X	-	-	-	-	Nippel	Nipple		2		
20	954316-6	X	-	-	-	-	Bundyrör	Bundy pipe		2		
21	967919-2	4	-	-	-	-	Slangklamma	Hose clamp	(951786)	2		
22	644450-9	2	-	-	-	-	Ventilhus	Valve housing		6		
23	644451-7	2	-	-	-	-	Vred	Knob		6		
24	947930-4	2	-	-	-	-	O-ring	O-ring		2		
25	960172-5	2	-	-	-	-	O-ring	O-ring		2		
★ 26	968600-7	X	-	-	-	-	Bundyrör	Bundy pipe	(954314)	2		
27	945652-6	4	-	-	-	-	Slangklamma	Hose clamp		2		
28	1561545-3	1	-	-	-	-	Konsol	Bracket	(1560146)	4		
29	955523-6	1	-	-	-	-	Skruv	Screw		2		
30	941907-8	1	-	-	-	-	Fjäderbricka	Spring washer		2		
31	955826-3	1	-	-	-	-	Mutter	Nut		2		
32	1563582-4	2	-	-	-	-	Vakuumpkontakt	Vacuum switch	4X4 R.H.D (641144)	3		
33	941983-9	2	-	-	-	-	Nippel	Nipple		2		
34	940147-2	2	-	-	-	-	Låsbricka	Lock washer		2		
35	192272-3	2	-	-	-	-	Mutter	Nut		2		
36	947444-6	2	-	-	-	-	T-rör	T-pipe		3		
37	680476-9	1	-	-	-	-	Backventil	Non-return valve		4		
38	326578-2	1	-	-	-	-	Förskruvning	Fitting		2		
39	326584-0	1	-	-	-	-	Vinkelförskruvning	Elbow union		2		
40	677980-5	2	-	-	-	-	Klamma	Clamp		2		
41	950022-4	X	-	-	-	-	Skruv	Screw		2		
42	941905-2	X	-	-	-	-	Fjäderbricka	Spring washer		2		
43	940092-0	X	-	-	-	-	Mutter	Nut		2		
44	951188-2	2	-	-	-	-	Klamma	Clamp		2		
44a	308046-2	2	-	-	-	-	Gummimellanlägg	Rubber spacer		4		
★ 45	969278-1	2	-	-	-	-	Skruv	Screw	(955138)	2		
46	121572-2	1	-	-	-	-	Klamma	Clamp		2		
47	951190-8	2	-	-	-	-	Klamma	Clamp		2		



VOLVO PARTS
2 040 27948
(19:1)



A							REGLAGE DIFFERENTIALSPÄRR FRAMHJULSDRIFT		CONTROLS DIFF.LOCK FRONT WHEEL DRIVE		Grupp Group	
											46	
											Sida Page	
											331	
Pos	Artikel nr Part No.	Antal /Quantity					P S	Benämning	Description	Anmärkning Notes	S R	
		A	B	C	D	E						
48	1504955	1	-	-	-	-	NS	Konsol	Bracket			
	965556-4	1	-	-	-	-		Konsol	Bracket	1) (943279)	2	
49	190364-0	1	-	-	-	-		Skruv	Screw		2	
50	638573-6	1	-	-	-	-		Rör	Tube	6X6	6	
51		X	-	-	-	-	NS	Slangklammer	Hose clamp	6X6		
52	950023-2	1	-	-	-	-		Skruv	Screw	1)	2	
53	(960139)	1	-	-	-	-	SP	Bricka	Washer	1)	2	
54	419422-1	1	-	-	-	-		Slang	Hose		2	

1) Civil. / For civilian use.