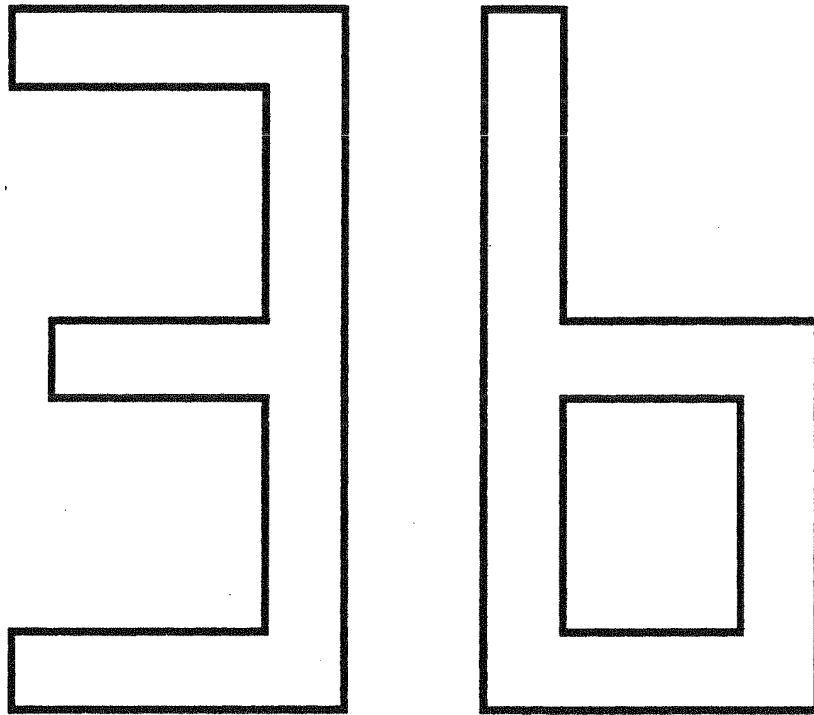
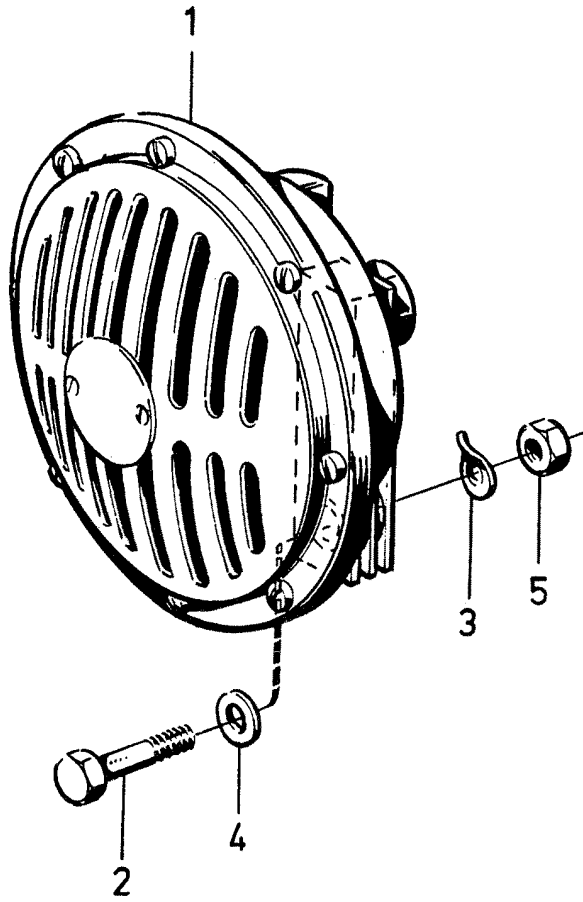


**ÖVRIG ELEKTRISK UTRUSTNING /OTHER ELECTRICAL EQUIPMENT**

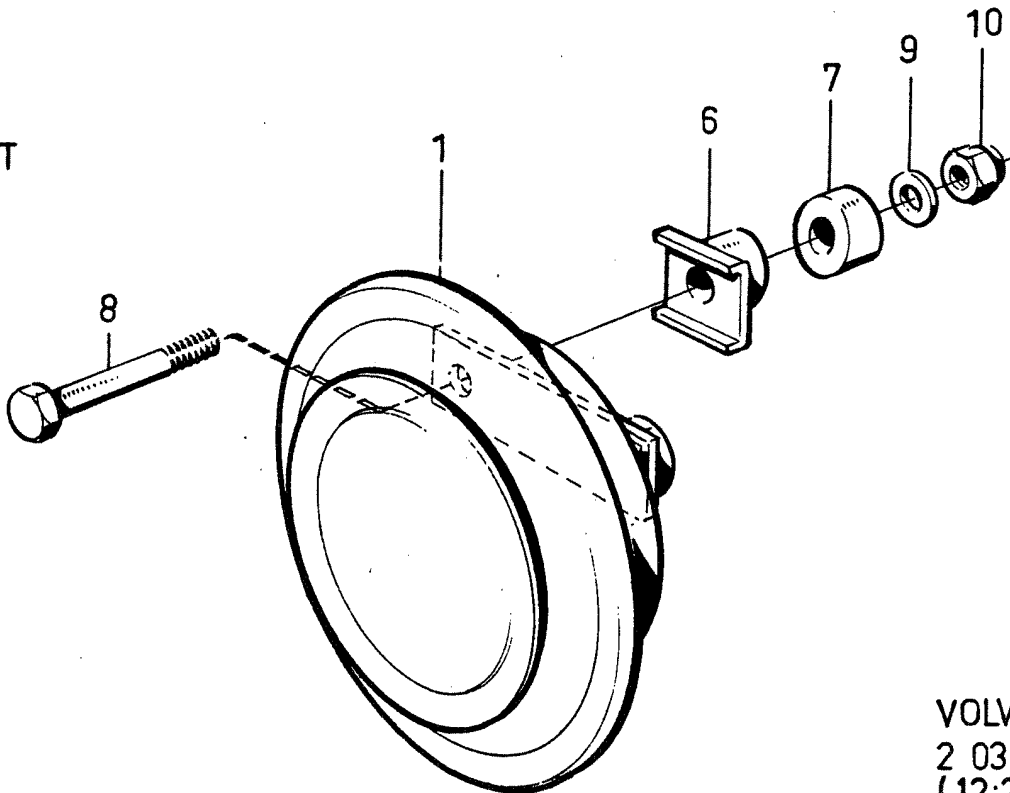


A	B	C	D	E	UNDERGRUPP		SUB GROUP		Grupp		
					ÖVRIG ELEKTRISK UTRUSTNING		OTHER ELECTRICAL EQUIPMENT		36		
									Sida		
									Page		
									199		
Pos	Artikel nr Part No.	Antal /Quantity					P S	Benämning	Description	Anmärkning Notes	S R
		A	B	C	D	E					
		-	-	-	-	-		Signalutrustning .....	Signal equipment .....	SEE 36 • 201	
		-	-	-	-	-		Vindrutetorkare .....	Windscreen wipers .....	SEE 36 • 203	
		-	-	-	-	-		Strålkastartorkare .....	Headlamp wipers .....	SEE 36 • 207	
		-	-	-	-	-		Vindrutespolare strålkastarspolare .....	Windscreen washers headlamp washers .....	SEE 36 • 209	
		-	-	-	-	-		24V,12V	24V,12V		
		-	-	-	-	-		Instrumentbräda med anslutningsdetaljer .....	Dashboard with connecting parts	SEE 36 • 211	
		-	-	-	-	-		Instrumentutrustning och kontrollorgan .....	Instrumentation and controls ..		
		-	-	-	-	-		L.H.D .....	L.H.D .....	SEE 36 • 213	
		-	-	-	-	-		R.H.D .....	R.H.D .....	SEE 36 • 219	
		-	-	-	-	-		Indikering av fördelnings- växelläge .....	Indication of transfer gear position .....	SEE 36 • 223	

VST

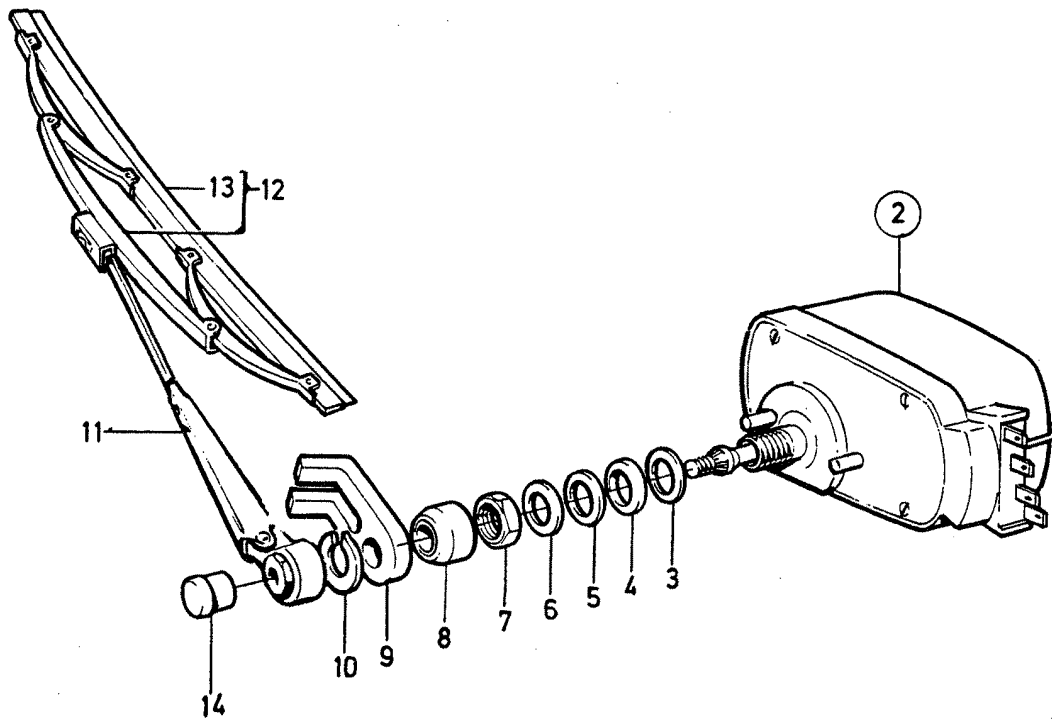
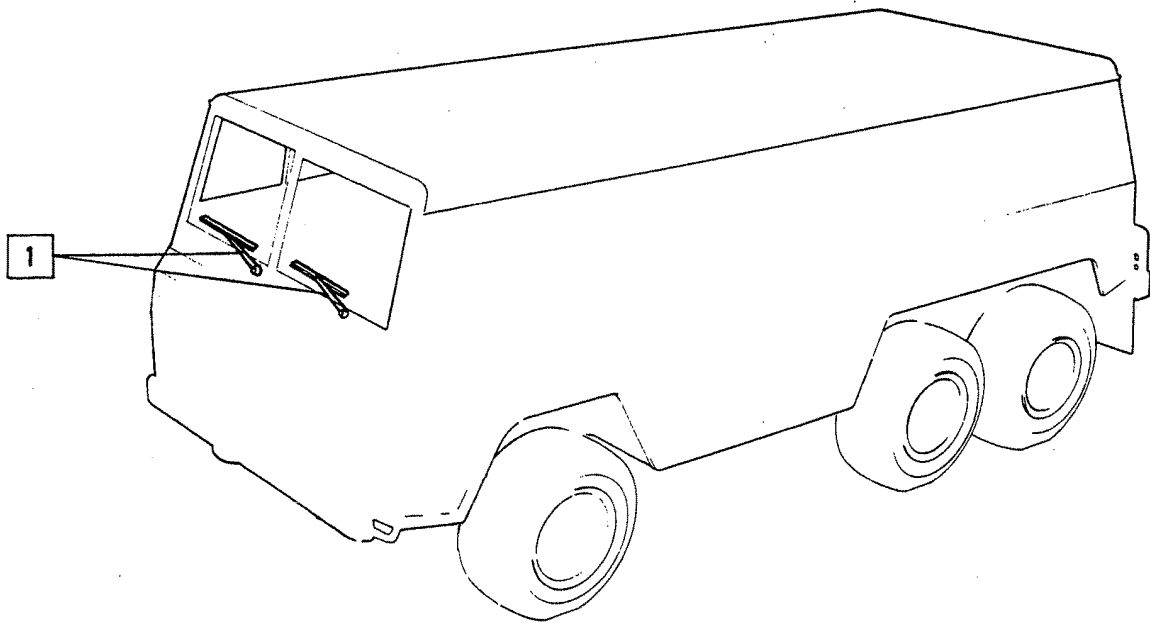


HST



VOLVO PARTS  
2 030 20922  
(12:2)

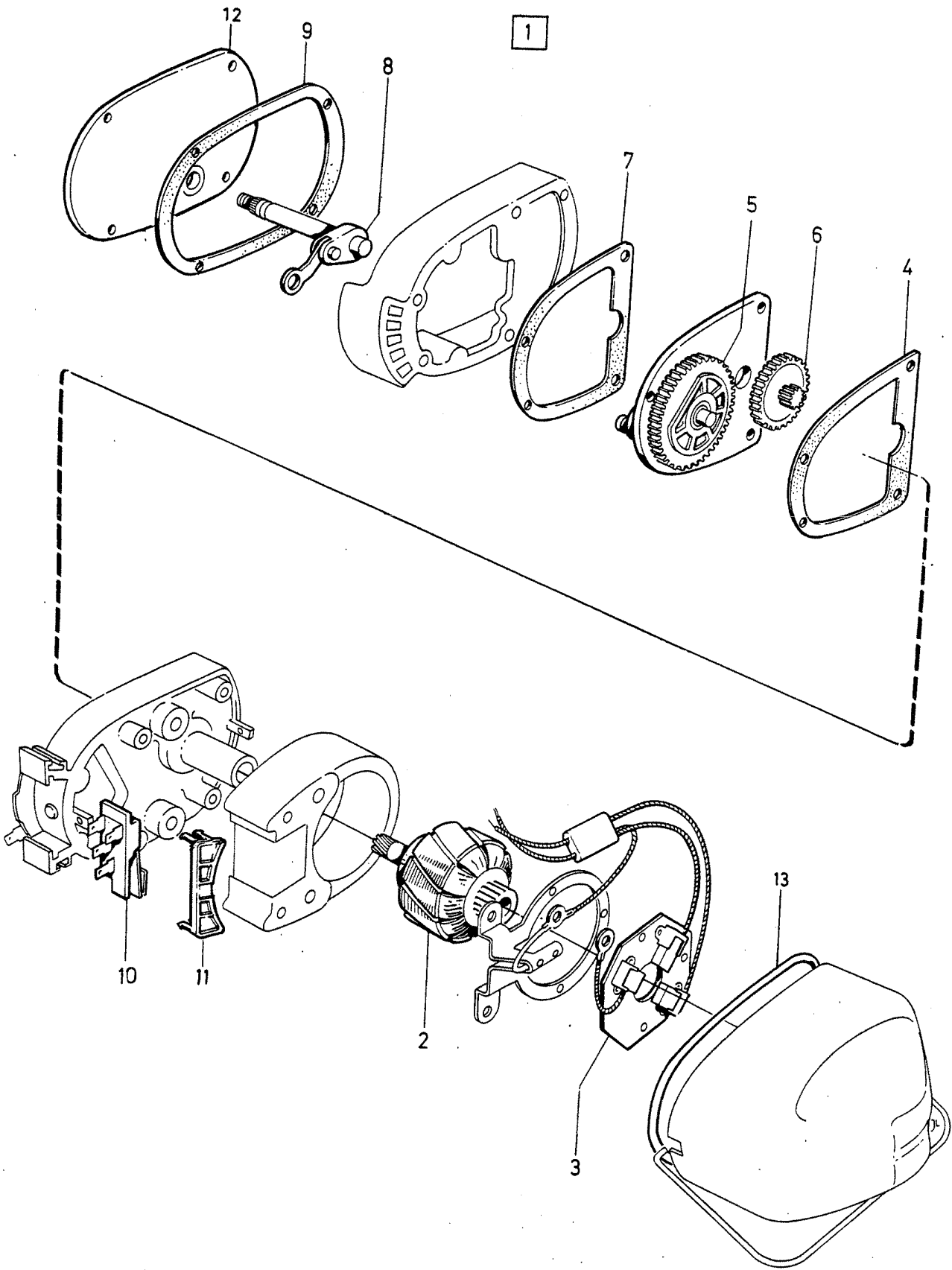
A	L.H.D						P	S	Benämning	Description	Anmärkning Notes	S	R								
	B	R.H.D												SignalUTRUSTNING	SIGNAL EQUIPMENT	Grupp Group					
		C															36				
			D															Sida Page			
				E															201		
Pos	Artikel nr Part No.	Antal /Quantity																			
		A	B	C	D	E															
1	1573965	1	-	-	-	-	OP	Signalhorn .....	Horn .....	24V (239778) 4X4 CH-2045	2										
★	1585305-4	1	-	-	-	-		Signalhorn .....	Horn .....	24V.6X6.4X4 CH 2046-	2										
	1235449-4	1	1	-	-	-		Signalhorn .....	Horn .....	12V,(1585303)(1212981)	3										
2	955535-0	1	-	-	-	-		Skruv .....	Screw .....	LG 32.4X4 CH-2045	2										
	955525-1	1	-	-	-	-		Skruv .....	Screw .....	6X6.4X4 CH 2046-	2										
3	942336-9	1	-	-	-	-		Fjäderbricka .....	Spring washer .....	4X4 CH-2045	2										
	941907-8	1	-	-	-	-		Fjäderbricka .....	Spring washer .....	6X6.4X4 CH 2046-	2										
4	940097-9	1	-	-	-	-		Bricka .....	Washer .....	4X4 CH-2045	2										
	955894-1	1	-	-	-	-		Bricka .....	Washer .....	6X6.4X4 CH 2046-	2										
5	955827-1	1	-	-	-	-		Mutter .....	Nut .....	4X4 CH-2045	2										
	955826-3	1	-	-	-	-		Mutter .....	Nut .....	6X6.4X4 CH 2046-	2										
6	1561233-6	-	1	-	-	-		Konsol .....	Bracket .....		4										
7	1561235-1	-	1	-	-	-		Hylsa .....	Sleeve .....		4										
8	955324-9	-	1	-	-	-		Skruv .....	Screw .....	M6S M10X60	2										
	940136-5	-	1	-	-	-		Skruv .....	Screw .....	U6S 5/16 UNCX64	2										
9	960143-6	-	1	-	-	-		Bricka .....	Washer .....	I.DIA 10.5	2										
	960141-0	-	1	-	-	-		Bricka .....	Washer .....	I.DIA 8.4	2										
★	971083-1	-	1	-	-	-		Låsmutter .....	Lock nut .....	M10, (945654)	2										
	950353-3	-	1	-	-	-		Låsmutter .....	Lock nut .....	5/16	2										



VOLVO PARTS  
2 030 24 551  
(13:1)

A	B	C	D	E	VINDRUTETORKARE		WINDSCREEN WIPERS		Grupp Group		
									36		
										Sida Page	
										203	
Pos	Artikel nr Part No.	Antal /Quantity					P S	Benämning	Description	Anmärkning Notes	S R
		A	B	C	D	E					
1		2	-	-	-	-	NS	Vindrutetorkare .....	Windscreen wiper .....		
2	643700-8	1	-	-	-	-		• Torkarmotor .....	• Wiper motor .....	24V	2
	1563149-2	2	-	-	-	-		• Torkarmotor .....	• Wiper motor .....	SPCL S-3653	2
	1560260-0	2	-	-	-	-		• Torkarmotor .....	• Wiper motor .....	12V. (MAL)	2
	1562660-9	2	-	-	-	-		• Torkarmotor .....	• Wiper motor .....	1) 12V	2
		-	-	-	-	-		• SEE 36-205 .....	• SEE 36-205 .....		
3	955896-6	1	-	-	-	-		• Bricka .....	• Washer .....		2
4	190137-0	1	-	-	-	-		• Tätningsbricka .....	• Sealing washer .....		2
5	955896-6	1	-	-	-	-		• Bricka .....	• Washer .....		2
6	955948-5	1	-	-	-	-		• Låsbricka .....	• Lock washer .....		2
7	947842-1	1	-	-	-	-		• Mutter .....	• Nut .....		2
8	644358-4	1	-	-	-	-		• Dammskydd .....	• Dust cover .....		2
9	644359-2	1	-	-	-	-		• Medbringare .....	• Locating key .....		2
10	955919-6	1	-	-	-	-		• Fjäderbricka .....	• Spring washer .....	12V 4X4 CH-1175	2
★	970955-1	1	-	-	-	-		• Skruv .....	• Screw .....	12V 6X6.4X4 CH 1176- (955325)	2
11	644361-8	1	-	-	-	-		• Torkarm, v .....	• Wiper arm, l.h. ....	24V	1
	644361-8	1	-	-	-	-		• Torkarm, v .....	• Wiper arm, l.h. ....	12V	1
	1560477-0	1	-	-	-	-		• Torkarm, h .....	• Wiper arm, r.h. ....	12V	1
12	1506481-9	1	-	-	-	-		• Torkarblad .....	• Wiper blade .....		1
13	362214-9	1	-	-	-	-		• Gummiblåd .....	• Rubber blade .....		1
14	644362-6	1	-	-	-	-		• Skyddshuv .....	• Protecting cap .....		2

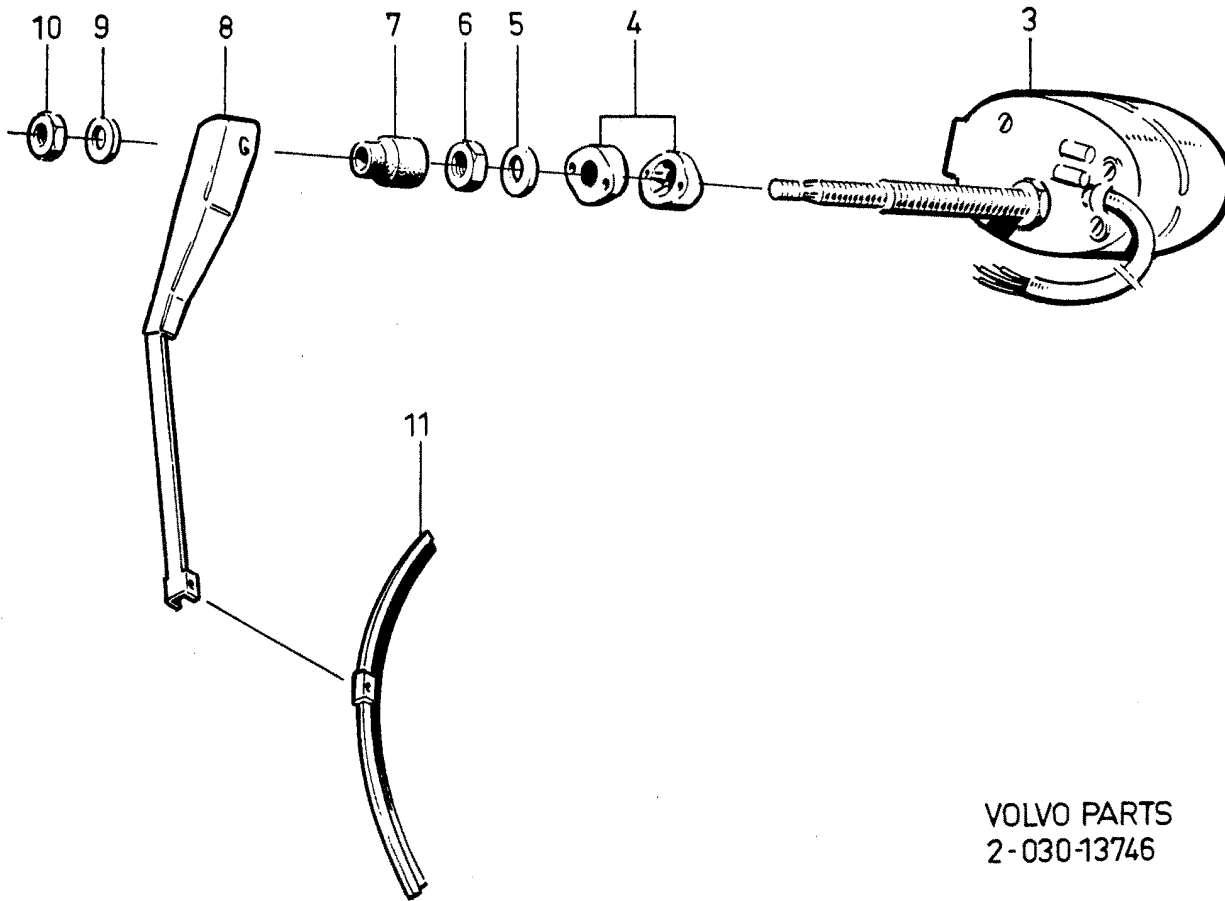
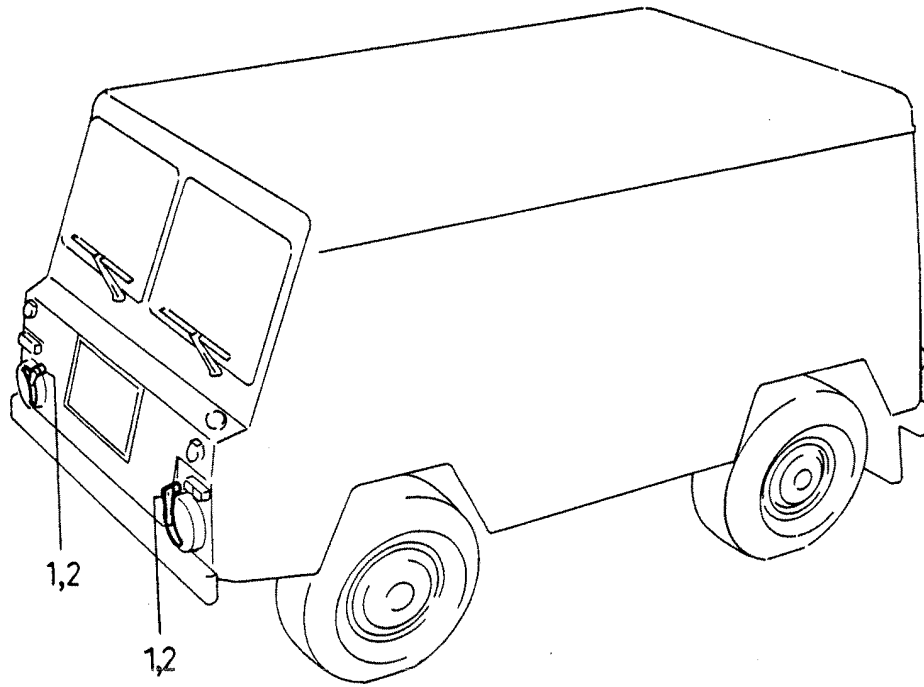
1) Civil. / For civilian use.



VOLVO PARTS  
2 030 35024

A	643700						TORKARMOTOR	WIPER MOTOR	Grupp Group	36	Sida Page	205
	B	1560260	C	1562660	D	1563149						
Pos	Artikel nr Part No.	Antal /Quantity					P S	Benämning	Description	Anmärkning Notes	S R	
		A	B	C	D	E						
1	643700-8	1	-	-	-	-		Torkarmotor .....	Wiper motor .....	24V	2	
	1560260-0	-	1	-	-	-		Torkarmotor .....	Wiper motor .....	12V (MAL)	2	
	1562660-9	-	-	1	-	-		Torkarmotor .....	Wiper motor .....	12V	2	
	1563149-2	-	-	-	1	-		Torkarmotor .....	Wiper motor .....	24V. SPCL S-3653 (1560894)	2	
2	1696331-6	1	-	1	-	-		• Rotor .....	• Rotor .....		2	
	1562974-4	-	1	-	-	-		• Rotor .....	• Rotor .....		2	
3	1560895-3	1	-	1	1	-		• Borsthållare .....	• Brush retainer .....		2	
	1562975-1	-	1	-	-	-		• Borsthållare .....	• Brush retainer .....		2	
4	1560898-7	1	1	1	1	-		• Packning .....	• Gasket .....		2	
5	1560897-9	1	-	1	-	-		• Kugghjul .....	• Gear .....		2	
	1562976-9	-	1	-	1	-		• Kugghjul .....	• Gear .....		2	
6	1560896-1	1	1	1	1	-		• Drivhjul .....	• Drive gear .....		2	
7	1560898-7	1	1	1	1	-		• Packning .....	• Gasket .....		2	
8	1560899-5	1	1	1	1	-		• Axel .....	• Shaft .....		2	
9	1560900-1	1	1	1	1	-		• Packning .....	• Gasket .....		2	
10	1560901-9	1	1	1	1	-		• Anslutningsplint .....	• Terminal block .....		2	
11	1564360-4	1	1	1	1	-		• Låsbricka .....	• Lock washer .....		2	
12	1695433-1	1	1	1	1	-		• Lock .....	• Cover .....	COMPL	2	
13	1696103-9	1	-	-	-	-		Packning .....	Gasket .....		2	





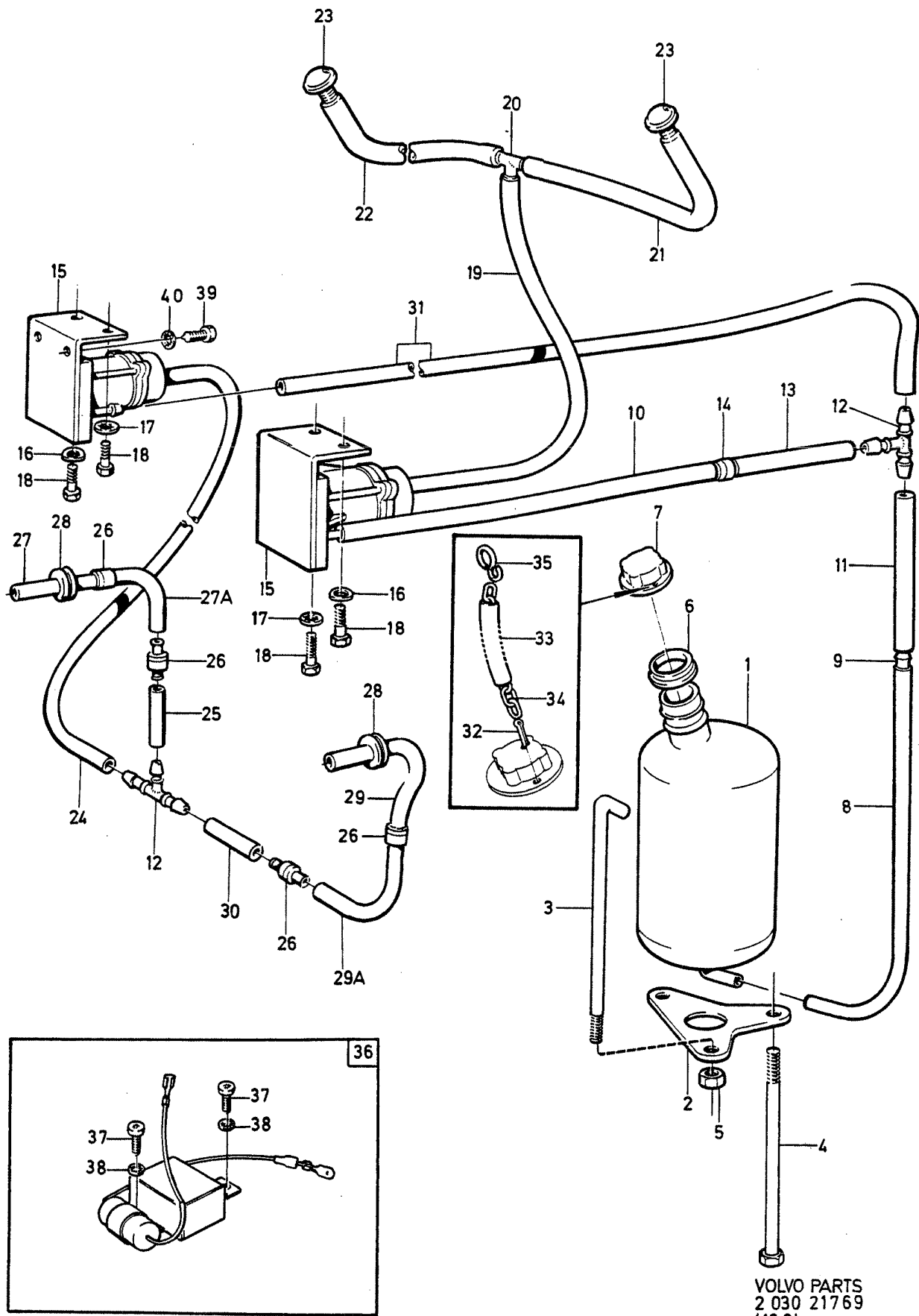
VOLVO PARTS  
2-030-13746

A			STRÅLKASTARTORKARE		HEADLAMP WIPERS		Grupp Group				
							36				
							Sida Page				
							207				
Pos	Artikel nr Part No.	Antal /Quantity					P S	Benämning	Description	Anmärkning Notes	S R
		A	B	C	D	E					
1		-	-	-	-	-		Strålkastarspolare .....	Headlamp washer .....	SEE 36-209	
2		2	-	-	-	-		Strålkastartorkare .....	Headlamp wiper .....		
		-	-	-	-	-		KMPL .....	KMPL .....		
3	1560613-0	1	-	-	-	-		• Torkarmotor, h .....	• Wiper motor, r.h. ....	1) 24V	4
	1560612-2	1	-	-	-	-		• Torkarmotor, v .....	• Wiper motor, l.h. ....	1) 24V	4
	1563115-3	1	-	-	-	-		• Torkarmotor, h .....	• Wiper motor, r.h. ....	2) 12V. SPCL S-3694, SPCL S-3695,3656,3736	4
	1563114-6	1	-	-	-	-		• Torkarmotor, v .....	• Wiper motor, l.h. ....	2) 12V. SPCL S-3694, SPCL S-3695,3656,3736	4
4	1509207-5	2	-	-	-	-		• Motorfäste .....	• Engine anchorage .....		2
5	940280-1	1	-	-	-	-		• Fjäderbricka .....	• Spring washer .....		2
6	947842-1	1	-	-	-	-		• Mutter .....	• Nut .....		2
7	1509208-3	1	-	-	-	-		• Dammskydd .....	• Dust cover .....		2
8	1560615-5	1	-	-	-	-		• Torkarm, h .....	• Wiper arm, r.h. ....		1
	1560614-8	1	-	-	-	-		• Torkarm, v .....	• Wiper arm, l.h. ....		1
9	955948-5	1	-	-	-	-		• Låsbricka .....	• Lock washer .....		2
10	955781-0	1	-	-	-	-		• Mutter .....	• Nut .....		2
11	1213586-9	2	-	-	-	-		• Torkarblad .....	• Wiper blade .....	(1509210)	1
	1203635-6	2	-	-	-	-		• Torkarblad .....	• Wiper blade .....	3)	1

1) Svenska armén. / Swedish Armed Forces.

2) Civil. / For civilian use.

3) För vagnar med H4 strålkastarinsatser / For vehicles with H4 headlight inserts.

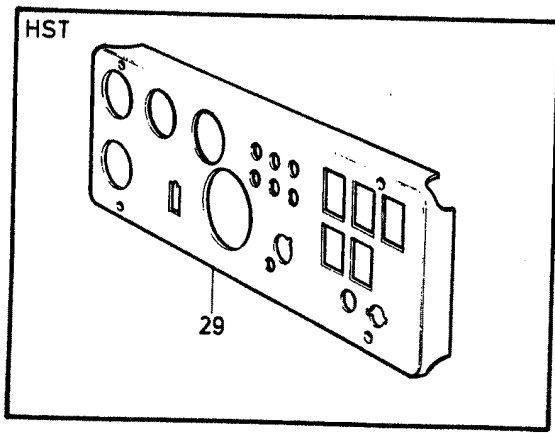
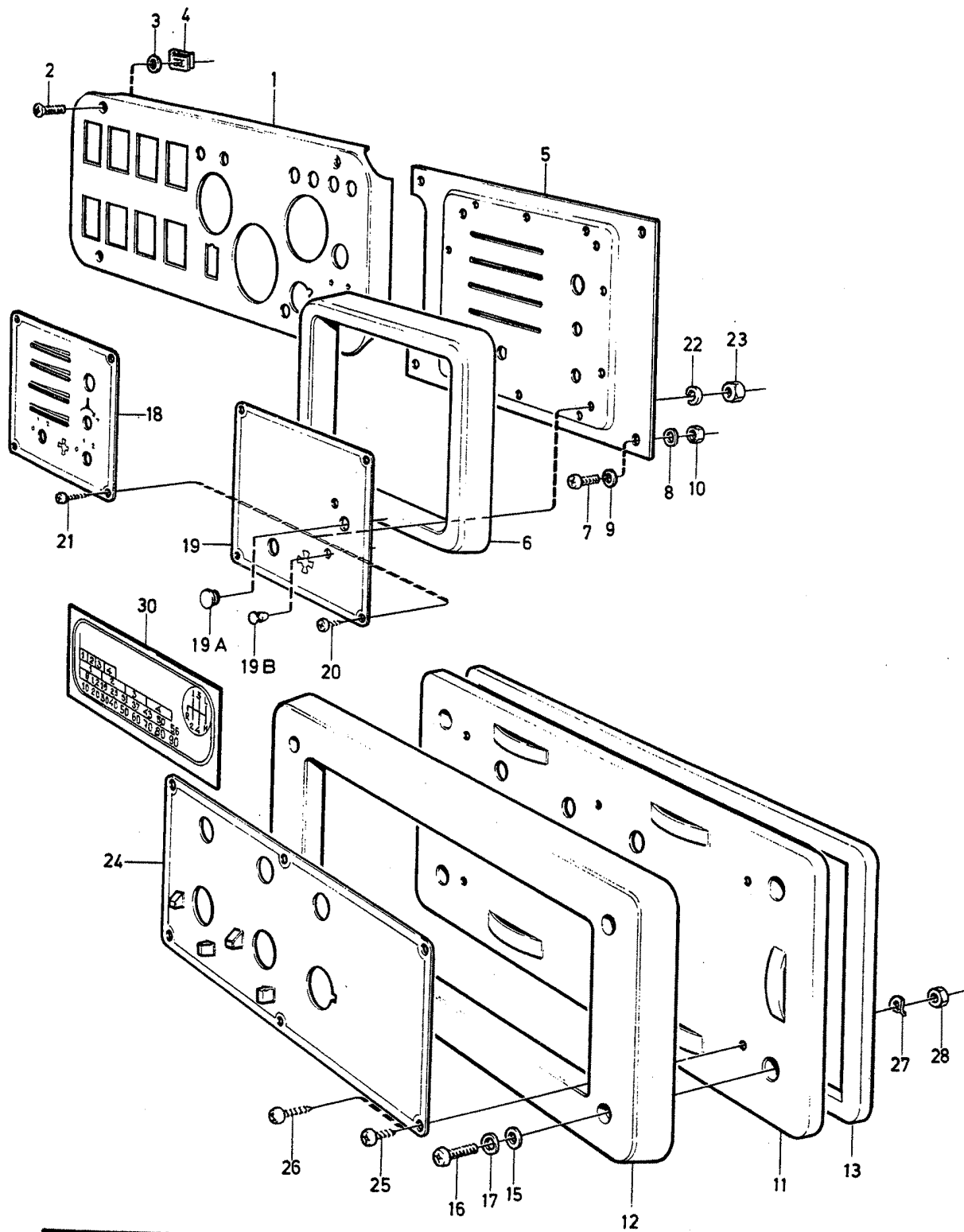


VOLVO PARTS  
 2 030 21769  
 (13:2)

A	24V						P	S	Benämning	Description	Anmärkning Notes	S	R
B	12V						VINDRUTESPOLARE STRÅLKASTARSPOLARE		WINDSCREEN WASHERS HEADLAMP WASHERS		Grupp Group		
C											36		
D											Sida Page		
E											209		
Pos	Artikel nr Part No.	A	B	C	D	E							
1	644809-6	1	1	-	-	-		Vattenbehållare .....	Water reservoir .....	1)		2	
	644809-6	1	1	-	-	-		Vattenbehållare .....	Water reservoir .....	(644814)		2	
2	644021-8	1	1	-	-	-		Hållare .....	Retainer .....			4	
3	644493-9	1	1	-	-	-		Krok .....	Hook .....			4	
4	644122-4	2	2	-	-	-		Dragstång .....	Pull rod .....			4	
5	955825-5	2	2	-	-	-		Mutter .....	Nut .....			2	
6	644018-4	1	1	-	-	-		Tätningring .....	Sealing ring .....			2	
7	644420-2	1	1	-	-	-		Lock .....	Cover .....			2	
8	942700-6	X	X	-	-	-		Slang .....	Hose .....	LG 180 O.DIA 12,6, O.DIA 1 6,6		1	
9	644658-7	1	1	-	-	-		Slangnippel .....	Hose nipple .....			2	
10	949931-0	X	X	-	-	-		Gummislang .....	Rubber hose .....	LG 180,(943727) 24V CH-101		2	
☆	949931-0	90	-	-	-	-		Gummislang .....	Rubber hose .....	CH 102-,(943727)		2	
☆	949931-0	30	-	-	-	-		Gummislang .....	Rubber hose .....	CH 102-,(943727)		2	
12	1304930-9	2	-	-	-	-		T-rör .....	T-pipe .....	CH102-,(688658)		3	
13	949931-0	20	-	-	-	-		Gummislang .....	Rubber hose .....	CH 102-,(943727)		2	
14	667352-9	1	-	-	-	-		Backventil .....	Non-return valve .....	CH 102-		2	
15	1562840-7	2	-	-	-	-		Pump .....	Pump .....			2	
	1562840-7	1	-	-	-	-		Pump .....	Pump .....	S-3653		2	
☆	1585877-2	-	1	-	-	-		Spolarpump .....	Washer pump .....	(1508183)		2	
☆	1585877-2	-	2	-	-	-		Spolarpump .....	Washer pump .....	SPCL S-3694,3695,3656, (1508183)		2	
☆	1585878-0	1	-	-	-	-		Spolarpump .....	Washer pump .....	2) (340778)		2	
16	941905-2	2	2	-	-	-		Fjäderbricka .....	Spring washer .....			2	
17	955946-9	2	2	-	-	-		Låsbricka .....	Lock washer .....			2	
	941905-2	-	1	-	-	-		Fjäderbricka .....	Spring washer .....			2	
18	950021-6	4	2	-	-	-		Skruv .....	Screw .....			2	
☆	949931-0	X	X	-	-	-		Gummislang .....	Rubber hose .....	LG 450,(943727)		2	
20	659248-9	1	1	-	-	-		T-rör .....	T-pipe .....			3	
21	943999-3	70	X	-	-	-		Slang .....	Hose .....	LG 700 O.DIA 6, O.DIA 1 2,6		2	
22	943999-3	X	70	-	-	-		Slang .....	Hose .....	LG 700		2	
☆	1312886-3	2	2	-	-	-		Spolarmunstycke .....	Washer jet .....	(1255383)(644810)		2	
☆	949931-0	40	-	-	-	-		Gummislang .....	Rubber hose .....	(943727)		2	
☆	949931-0	X	-	-	-	-		Gummislang .....	Rubber hose .....	LG 100,(943727)		2	
26	1210139-0	4	-	-	-	-		Backventil .....	Non-return valve .....			2	
27	943999-3	X	-	-	-	-		Slang .....	Hose .....	LG 330		2	
☆	949931-0	40	-	-	-	-		Gummislang .....	Rubber hose .....	(913727)		2	
28	658660-6	2	-	-	-	-		Bussning .....	Bushing .....			2	
29	943999-3	X	-	-	-	-		Slang .....	Hose .....	LG 330		2	
☆	949931-0	40	-	-	-	-		Gummislang .....	Rubber hose .....	(943727)		2	
30	949931-0	X	-	-	-	-		Gummislang .....	Rubber hose .....	LG 1400,(943727) O.DIA 7, O.DIA 1 4		2	
☆	949931-0	X	-	-	-	-		Gummislang .....	Rubber hose .....	LG 1500,(943727)		2	
32	907849-4	-	1	-	-	-		Saxpinne .....	Split pin .....			2	
33	185501-4	-	X	-	-	-		Plastslang .....	Plastic hose .....	LG 370		2	
34	1561875-4	-	1	-	-	-		Kedja .....	Chain .....			4	
35	1561874-7	-	1	-	-	-		Ring .....	Ring .....			4	
36	1563593-1	1	-	-	-	-		Avstörningsfilter .....	Suppression filter .....	2)		3	
37	955120-1	2	-	-	-	-		Skruv .....	Screw .....			2	
38	955120-1	2	-	-	-	-		Skruv .....	Screw .....	(955121)		2	
39	960866-2	2	-	-	-	-		Skruv .....	Screw .....			2	
40	955947-7	2	-	-	-	-		Låsbricka .....	Lock washer .....			2	

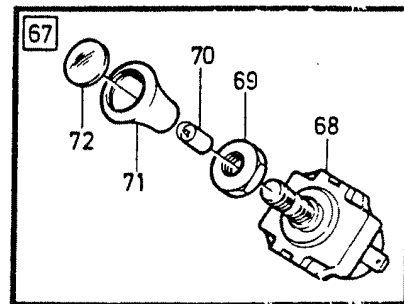
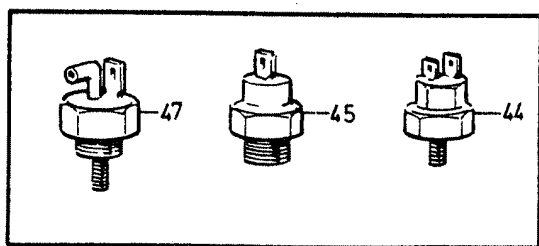
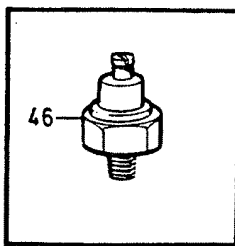
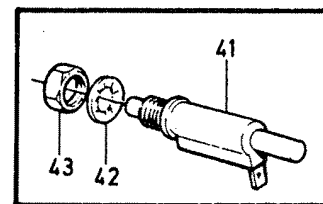
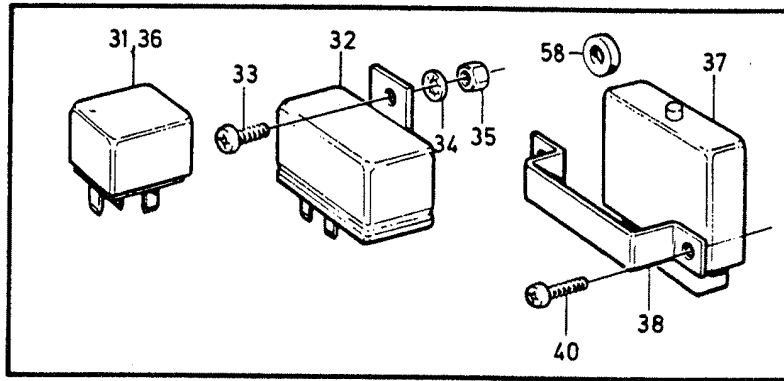
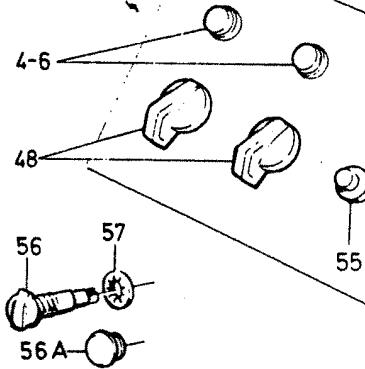
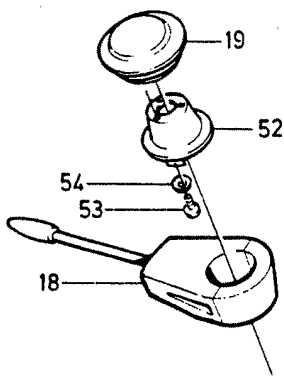
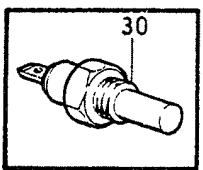
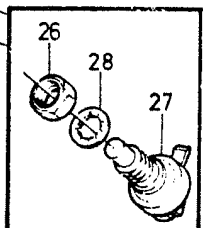
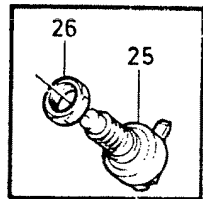
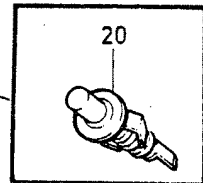
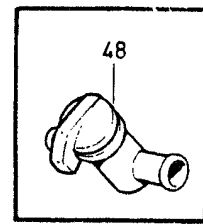
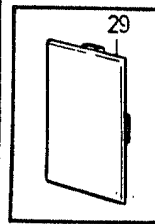
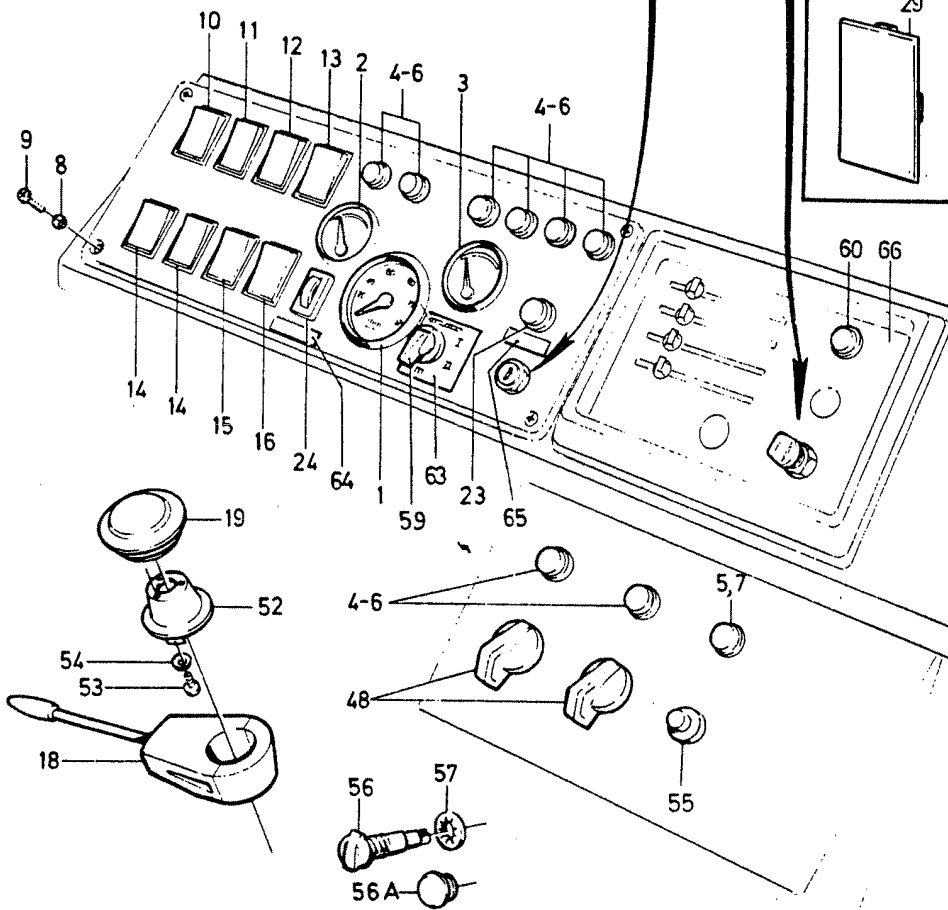
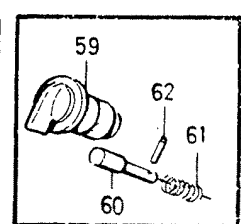
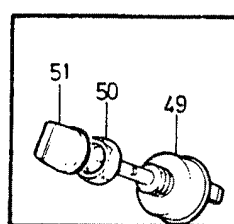
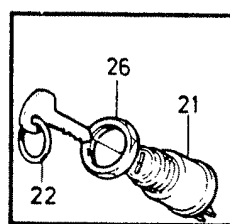
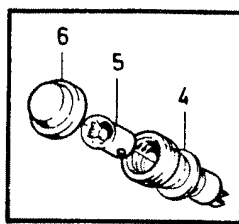
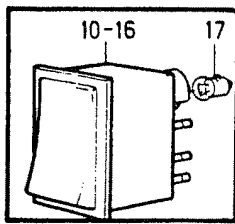
1) Civil. / For civilian use.

2) För fordon med speciell radioutrustning. / For vehicles with special radio equipment.



VOLVO PARTS  
2 030 28070  
(10:2)

A							INSTRUMENTBRÄDA MED ANSLUTNINGSDETALJER			DASHBOARD WITH CONNECTING PARTS		Grupp Group
	B	C	D	E	P S	Benämning	Description	Anmärkning Notes	S R	36		
										Sida Page		
										211		
Pos	Artikel nr Part No.	Antal /Quantity										
		A	B	C	D	E						
1	644157-0	1	-	-	-	-	Instrumentbräda .....	Dashboard .....	L.H.D	5		
2	950255-0	4	-	-	-	-	Skruv .....	Screw .....		2		
3	18894-6	4	-	-	-	-	Låsbricka .....	Lock washer .....		2		
4	941975-5	4	-	-	-	-	Fjädermutter .....	Spring nut .....		2		
5	1566062-4	1	-	-	-	-	Instrumentpanel .....	Instrument panel .....	(644407)	5		
6	1566062-4	1	-	-	-	-	Instrumentpanel .....	Instrument panel .....	(644407)	5		
7	950045-5	4	-	-	-	-	Skruv .....	Screw .....		2		
8	941906-0	4	-	-	-	-	Fjäderbricka .....	Spring washer .....		2		
9	955893-3	4	-	-	-	-	Bricka .....	Washer .....		2		
10	955825-5	4	-	-	-	-	Mutter .....	Nut .....		2		
11	1562008-1	1	-	-	-	-	Panel .....	Panel .....	(644742)	5		
12		1	-	-	-	-	• Stötskydd .....	• Crash pad .....				
13	641483-3	X	-	-	-	-	Tätningsslit .....	Sealing strip .....		2		
15	955894-1	4	-	-	-	-	Bricka .....	Washer .....		2		
16	950050-5	4	-	-	-	-	Skruv .....	Screw .....		2		
17	941906-0	4	-	-	-	-	Fjäderbricka .....	Spring washer .....		2		
18	644755-1	1	-	-	-	-	Skyllt .....	Sign .....	SVT. L.H.D	5		
	1565810-7	1	-	-	-	-	Skyllt .....	Sign .....	ET. SPEC S-3758	4		
	1563272-2	1	-	-	-	-	Skyllt .....	Sign .....	SPEC S-3761,3780,38	5		
19	1562281-4	1	-	-	-	-	Skyllt .....	Sign .....	(1560886) R.H.D	3		
19a	656927-1	1	-	-	-	-	Gummipropp .....	Rubber plug .....	SPEC S-3705	4		
19b	81803-9	2	-	-	-	-	Gummipropp .....	Rubber plug .....	SPEC S-3705	2		
20	955113-6	4	-	-	-	-	Skruv .....	Screw .....	R.H.D, LG 6,5	2		
21	950003-4	4	-	-	-	-	Skruv .....	Screw .....	L.H.D, LG 9,5	2		
22	955916-2	4	-	-	-	-	Fjäderbricka .....	Spring washer .....	L.H.D	2		
23	940119-1	4	-	-	-	-	Mutter .....	Nut .....	L.H.D	2		
24	1566225-7	1	-	-	-	-	Instruktionsskyllt .....	Instruction plate .....	(644949) L.H.D, SVT	3		
	1566552-4	1	-	-	-	-	Instruktionsskyllt .....	Instruction plate .....	(1560992) R.H.D, ET	3		
	1563886	1	-	-	-	-	NS Skyllt .....	Sign .....	SPEC S-3705			
	1566552-4	1	-	-	-	-	NS Instruktionsskyllt .....	Instruction plate .....	(1565811),ET, SPEC S-3758	3		
25	955118-5	5	-	-	-	-	Skruv .....	Screw .....	R.H.D, LG 8	2		
26	950009-1	5	-	-	-	-	Skruv .....	Screw .....	L.H.D, LG 7,9	2		
27	941904-5	5	-	-	-	-	Fjäderbricka .....	Spring washer .....	L.H.D	2		
28	940179-5	5	-	-	-	-	Mutter .....	Nut .....	L.H.D	2		
29	1565865-1	1	-	-	-	-	Instrumentplåt .....	Instrument plate .....	(1560465) R.H.D	5		
30	1562854-8	1	-	-	-	-	Skyllt .....	Sign .....	6X6	3		
	1562855-5	X	-	-	-	-	Skyllt .....	Sign .....	4X4	3		

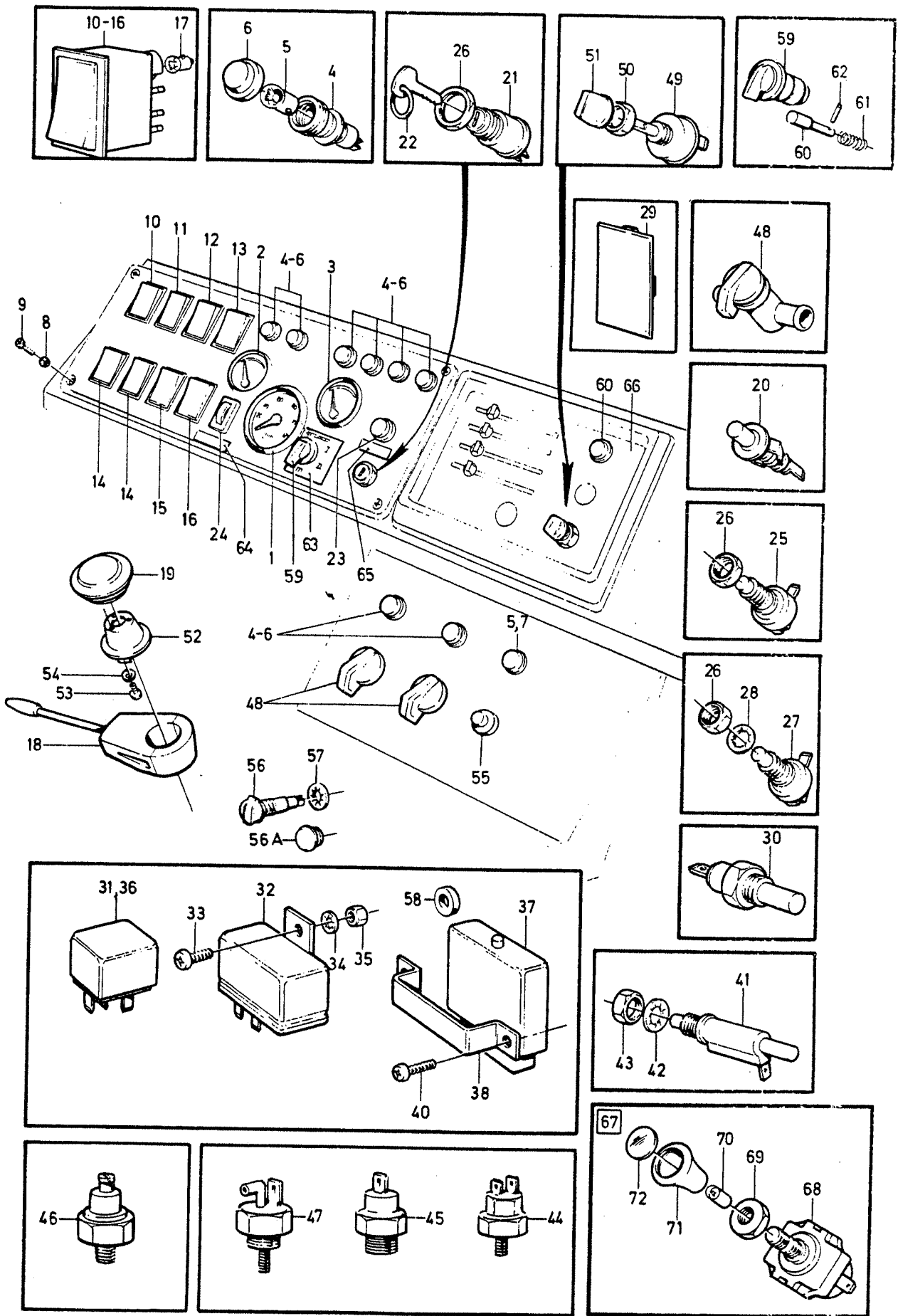


VOLVO PARTS.  
2 030 21765  
(10:1)

A	B	C	D	E	INSTRUMENTUTRUSTNING OCH INSTRUMENTATION AND CONTROLS					Grupp Group	
					KONTROLLORGAN					36	
					L.H.D					Sida Page	
										213	
Pos	Artikel nr Part No.	Antal /Quantity					P S	Benämning	Description	Anmärkning Notes	S R
		A	B	C	D	E					
1		1	-	-	-	-		Hastighetsmätare .....	Speedometer .....	SEE 38•239	
2		1	-	-	-	-		Bränslemätare .....	Fuel gauge .....	SEE 38•239	
3		1	-	-	-	-		Termometer .....	Thermometer .....	SEE 38•239	
4	355777-4	9	-	-	-	-		Lamphålare .....	Bulb socket .....		3
5	182034-9	10	-	-	-	-		Glödlampa .....	Bulb .....	BA9S 24V 2W	1
	182055-4	9	-	-	-	-		Glödlampa .....	Bulb .....	BA9S 12V 2W	1
6	643570-5	1	-	-	-	-		Lins .....	Lens .....		1
	355775-8	1	-	-	-	-		Lins .....	Lens .....	1)	4
	643571-3	1	-	-	-	-		Lins .....	Lens .....		1
	355778-2	1	-	-	-	-		Lins .....	Lens .....		4
	1573934-5	1	-	-	-	-		Lins .....	Lens .....	SPCL S-3656,3853,6059	4
	355779-0	1	-	-	-	-		Lins .....	Lens .....		4
	642545-8	1	-	-	-	-		Lins .....	Lens .....		3
	642546-6	1	-	-	-	-		Lins .....	Lens .....		4
	643569-7	1	-	-	-	-		Lins .....	Lens .....		3
	1501614-0	1	-	-	-	-		Lins .....	Lens .....	1)	4
	1501613	1	-	-	-	-	NS	Lins .....	Lens .....	SPCL S-3656	
								Kontrollampa	Control lamp		
								Broms	Brake		
	355772-5	1	-	-	-	-		Lins .....	Lens .....		4
	355776-6	1	-	-	-	-		Lins .....	Lens .....		4
	642542-5	1	-	-	-	-		Lins .....	Lens .....		4
	642540-9	2	-	-	-	-		Lins .....	Lens .....		3
	1561793-9	X	-	-	-	-		Lins .....	Lens .....	1)	3
	1561793-9	1	-	-	-	-		Lins .....	Lens .....		3
	1573935-2	4	-	-	-	-		Lins .....	Lens .....	SPCL S-3853,6059	4
	941268-5	1	-	-	-	-		Plugg .....	Plug .....	12V,SPCL S-3761	2
7	638134-7	1	-	-	-	-		Kontrollampa	Control lamp		4
								framhjulsdriфт	front wheel drive		
8	18894-6	4	-	-	-	-		Låsbricka .....	Lock washer .....		2
9	950255-0	4	-	-	-	-		Skruv .....	Screw .....		2
								Strömställare	Switch		
10	1578702-1	1	-	-	-	-		•Strömställare .....	•Switch .....	24V (1504856)	2
	1578799-7	1	-	-	-	-		•Strömställare .....	•Switch .....	12V (1578703)(1504855)	2
11	1578766-6	1	-	-	-	-		•Strömställare .....	•Switch .....	24V (643437)	2
	1578767-4	1	-	-	-	-		•Strömställare .....	•Switch .....	12V (1563121)	2
12	1578748-4	1	-	-	-	-		•Strömställare .....	•Switch .....	24V (643438)	2
13	644142-2	1	-	-	-	-		•Strömställare .....	•Switch .....	24V	3
14	1578784-9	2	-	-	-	-		•Torkar-spolaromkopplare .....	•Wiper-washer switch .....	24V (643371)	2
15	1578764-1	1	-	-	-	-		•Torkar-spolaromkopplare .....	•Wiper-washer switch .....	24V (643439)	2
	1578765-8	1	-	-	-	-		•Strömställare .....	•Switch .....	12V (1560490)	2
	1591329-6	1	-	-	-	-		•Strömställare .....	•Switch .....	12V (1578701)(1504851)	2
	1578700-5	1	-	-	-	-		•Strömställare .....	•Switch .....	24V (1504852)	2
17	1696894-3	8	-	-	-	-		Glödlampa .....	Bulb .....	BA7S 24V 3W (182059)(277801)	1
18	1567228-0	1	-	-	-	-		Körvisaromkopplare .....	Direction ind. switch .....	(640547)	1
19	1562072-7	1	-	-	-	-		Signalknapp .....	Horn button .....	(631020)	3
20	1215017-3	1	-	-	-	-		Dörrkontakt .....	Door switch .....	(681848)	2
	3273204	1	-	-	-	-	OP	Körvisaromkopplare .....	Direction ind. switch .....	TGB 20	2
21	241315-1	1	-	-	-	-		Startlås .....	Starter switch .....	12V	2
	241315-1	1	-	-	-	-		Startlås .....	Starter switch .....	1) CH-4538.(870685)	2
	684048-2	1	-	-	-	-		Rattlås .....	Column lock .....	1) CH 4539-	2
22	88495-7	2	-	-	-	-		Nyckelring .....	Key ring .....		4
23	240533-0	1	-	-	-	-		Tryckknapp .....	Push button .....		4
24	643952-5	1	-	-	-	-		Strömställare .....	Switch .....		2
								instrumentbelysning	instrument lighting		
25	679364-0	1	-	-	-	-		Kontakt .....	Contact .....		1
26	942914-3	1	-	-	-	-		Mutter .....	Nut .....		2
27	672995-8	1	-	-	-	-		Kontakt .....	Contact .....		2
28	940143-1	1	-	-	-	-		Låsbricka .....	Lock washer .....	CH-100.	2

1) Civil. / For civilian use.

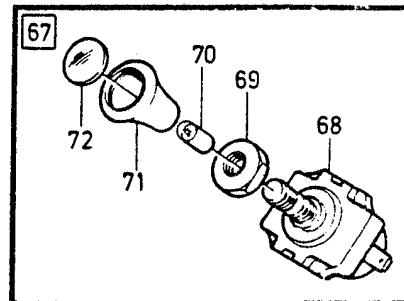
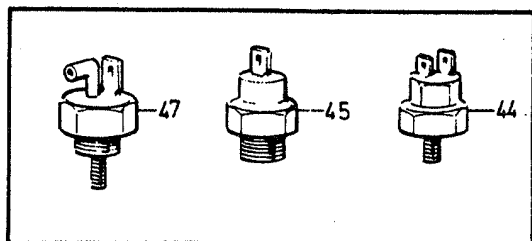
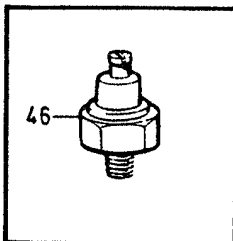
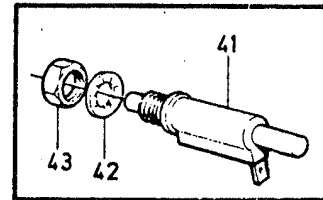
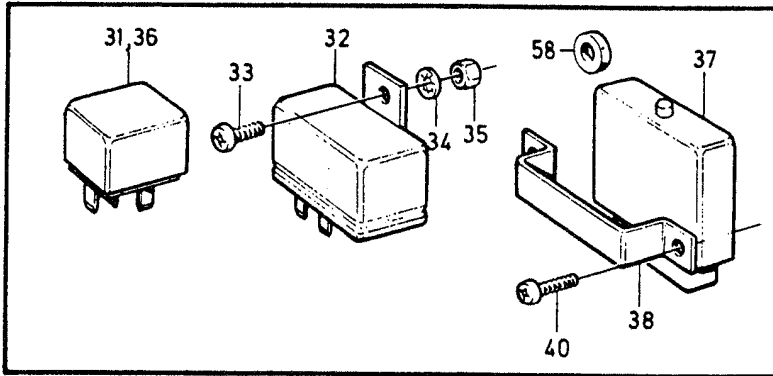
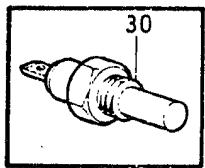
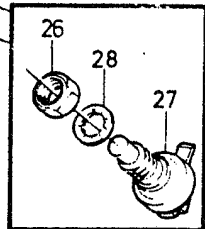
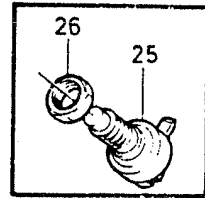
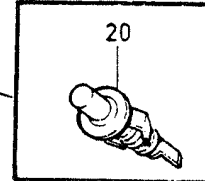
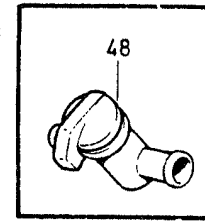
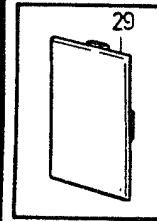
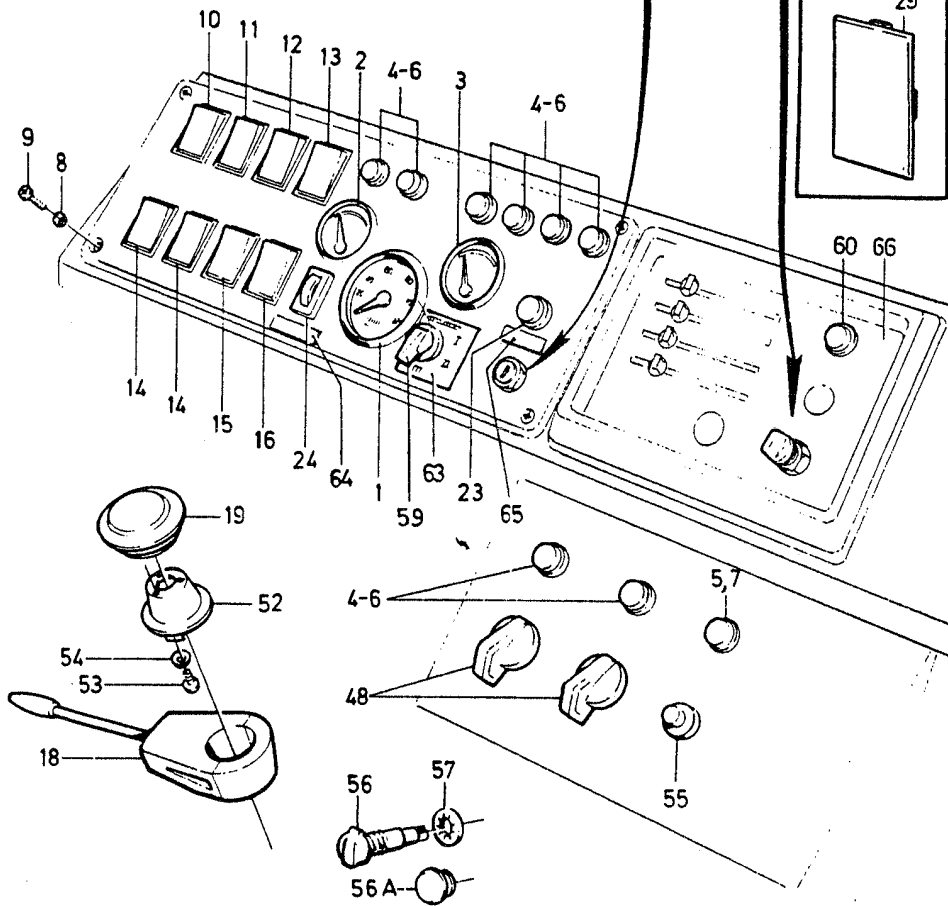
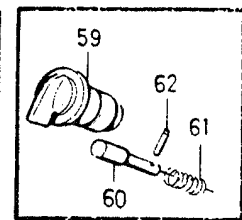
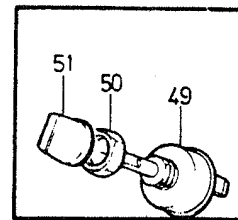
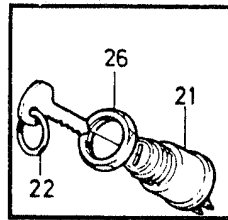
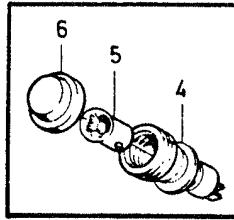
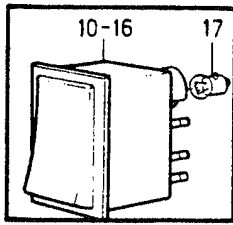




VOLVO PARTS  
 2 030 21765  
 (10:1)

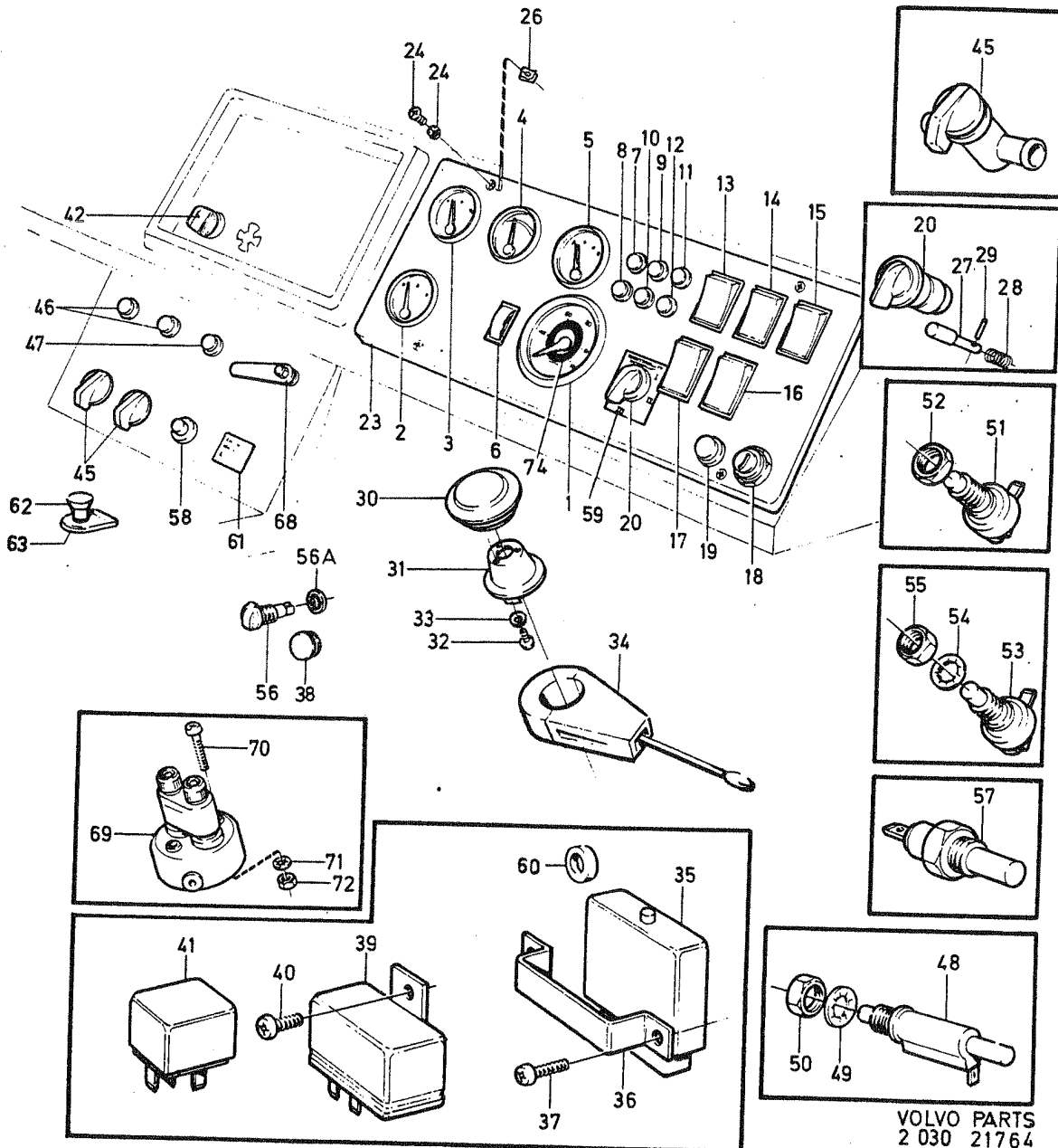
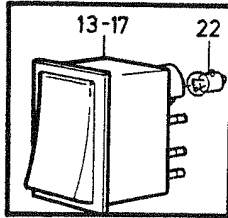
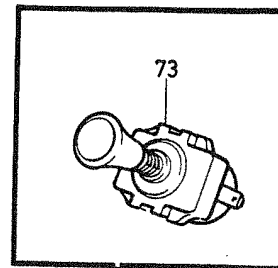
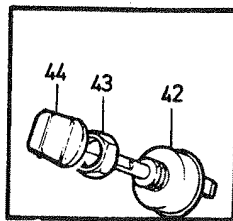
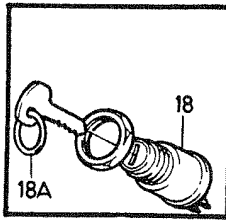
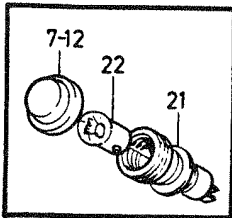
A	B	C	D	E	INSTRUMENTUTRUSTNING OCH KONTROLLORGAN					INSTRUMENTATION AND CONTROLS			Grupp Group
					L.H.D								36
Pos	Artikel nr Part No.	Antal /Quantity					P S	Benämning	Description	Anmärkning Notes	S R		
		A	B	C	D	E							
29	1505181-6	2	-	-	-	-		Lock .....	Cover .....	SPCL S-3619	3		
30	824552-4	1	-	-	-	-		Temperaturgivare .....	Temperature sensor .....		2		
31	1504951-3	1	-	-	-	-		Relä .....	Relay .....	24V	1		
	1504952-1	1	-	-	-	-		Relä .....	Relay .....	12V.	1		
32	355535-6	1	-	-	-	-		Ljusrelä .....	Light relay .....	24V	1		
	1573966-7	1	-	-	-	-		Ljusrelä .....	Light relay .....	12V.	2		
	1504952-1	1	-	-	-	-		Relä .....	Relay .....		1		
33	950019-0	1	-	-	-	-		Skruv .....	Screw .....	LG 7,9	2		
34	955946-9	1	-	-	-	-		Låsbricka .....	Lock washer .....		2		
35	940092-0	1	-	-	-	-		Mutter .....	Nut .....		2		
36	1501833-6	1	-	-	-	-		Relä .....	Relay .....	24V	1		
	1504952-1	1	-	-	-	-		Relä .....	Relay .....	12V.	1		
	1501833-6	1	-	-	-	-		Relä .....	Relay .....	24V	1		
	1501833-6	2	-	-	-	-		Relä .....	Relay .....	24V	1		
	1504952-1	2	-	-	-	-		Relä .....	Relay .....	12V	1		
	1504951-3	2	-	-	-	-		Relä .....	Relay .....	24V	1		
	1504952-1	1	-	-	-	-		Relä .....	Relay .....	12V	1		
	1501833-6	2	-	-	-	-		Relä .....	Relay .....	24V	1		
	1504952-1	2	-	-	-	-		Relä .....	Relay .....	12V	1		
	1501833-6	1	-	-	-	-		Relä .....	Relay .....	24V	1		
	1504952-1	1	-	-	-	-		Relä .....	Relay .....	12V	1		
	1501833-6	1	-	-	-	-		Relä .....	Relay .....	24V	1		
☆ 37	1587993-5	1	-	-	-	-		Blinkrelä .....	Flasher relay .....	24V,(1501686)	1		
	1582412-1	1	-	-	-	-		Blinkdon .....	Flasher unit .....	12V,(1501687)	2		
38	644054-9	1	-	-	-	-		Klamma .....	Clamp .....		4		
39	955946-9	2	-	-	-	-		Låsbricka .....	Lock washer .....	4X4 R.H.D CH-602	2		
40	955126-8	2	-	-	-	-		Skruv .....	Screw .....	(950019)	2		
41	1500609-1	1	-	-	-	-		Kontakt .....	Contact .....	2)	2		
42	940143-1	1	-	-	-	-		Låsbricka .....	Lock washer .....		2		
43	942914-3	1	-	-	-	-		Mutter .....	Nut .....		2		
44	1561786	1	-	-	-	-	NS	Tryckkontakt .....	Pressure switch .....	(1560571)			
45	1606877-7	1	-	-	-	-		Oljetrycksgivare .....	Oil pressure sensor .....	(1324750)(1266085)	2		
46	1563582-4	2	-	-	-	-		Vakuumpkontakt .....	Vacuum switch .....	(641144)	3		
								Differentialspär	Differential lock				
	1566227-3	1	-	-	-	-		• Instruktions skylt .....	• Instruction plate .....	(1563823)	3		
47	381044-7	1	-	-	-	-		Backljuskontakt .....	Reverse light contact .....		2		
48		2	-	-	-	-		Vakuummreglage .....	Vacuum control .....				
								Differentialspär	Differential lock	SEE 46-329			
49	644141-4	2	-	-	-	-		Strömställare .....	Switch .....	6X6 CH-3615	2		
50	654442-3	1	-	-	-	-		Mutter .....	Nut .....	6X6 CH-3615	3		
51	1504582-6	1	-	-	-	-		Knopp .....	Knob .....	6X6 CH-3615	3		
52	640513-8	1	-	-	-	-		Manöverring .....	Control ring .....		3		
53	950003-4	3	-	-	-	-		Skruv .....	Screw .....	LG 9,5	2		
54	940121-7	3	-	-	-	-		Låsbricka .....	Lock washer .....		2		
55	1561208-8	1	-	-	-	-		Strömställare .....	Switch .....		2		
								framhjulsdraft	front wheel drive				
56	337661-3	4	-	-	-	-		Eluttag .....	Power outlet .....		4		
56a	680036-1	4	-	-	-	-		• Plugg .....	• Plug .....	SPCL S-3696,3695,3694 SPCL S-3705,3653,3619	3		
57	955954-3	4	-	-	-	-		Låsbricka .....	Lock washer .....		2		
58	941267-7	1	-	-	-	-		Plugg .....	Plug .....	(941263)	2		
59	638432-5	1	-	-	-	-		Ljusomkopplare .....	Light switch .....		3		
								Omkopplare	Switch				
60	1562230-1	1	-	-	-	-		Knapp .....	Button .....	(640899)	4		
61	639770-7	1	-	-	-	-		Fjäder .....	Spring .....		4		
62	907824-7	1	-	-	-	-		Saxpinne .....	Split pin .....		2		
63		1	-	-	-	-		Skylt .....	Sign .....				
64	1560962-1	1	-	-	-	-		Skylt .....	Sign .....	SVT	3		
65	1560961-3	1	-	-	-	-		Skylt .....	Sign .....		3		

2) BROMSSLITAGE VARNARE. / Brake wear warner.

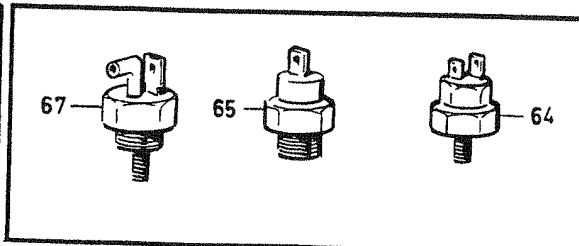
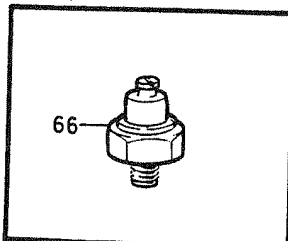


VOLVO PARTS  
2 030 21765  
(10:1)

A						INSTRUMENTUTRUSTNING OCH INSTRUMENTATION AND CONTROLS		Grupp			
	B						KONTROLLORGAN		Group		
		C								36	
			D								Sida
				E						L.H.D	
									217		
Pos	Artikel nr Part No.	Antal /Quantity					P	Benämning	Description	Anmärkning Notes	S
		A	B	C	D	E	S			R	
66		1	-	-	-	-		Skylt .....	Sign .....	SEE 36-211	
67		-	-	-	-	-		Strömställare .....	Switch .....		
		1						Arbetslampa	Work lamp	SPCL S-8936,8937	
		1						roterande varningsljus	rotating warning lamp	SPCL 8938-8953	
68	1505557-7	1	-	-	-	-		• Spärr .....	• Detent .....		3
69	673225-9	1	-	-	-	-		• Mutterbricka .....	• Nut washer .....		3
70	19923-2	1	-	-	-	-		• Glödlampa .....	• Bulb .....		1
71	1575255-3	1	-	-	-	-		• Knopp .....	• Knob .....		2
72	355799-8	1	-	-	-	-		• Lins .....	• Lens .....		4
	355800-4	1	-	-	-	-		• Lins .....	• Lens .....		4

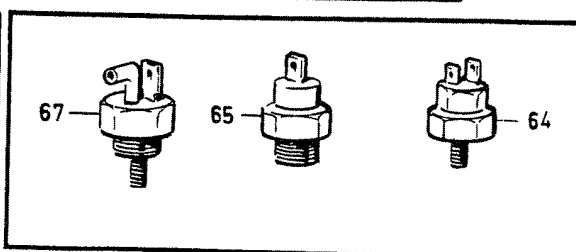
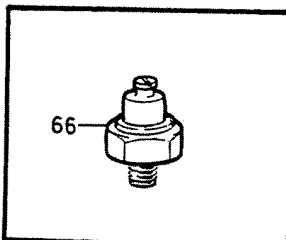
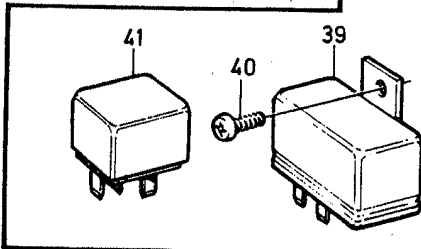
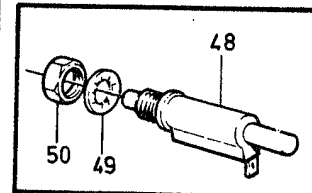
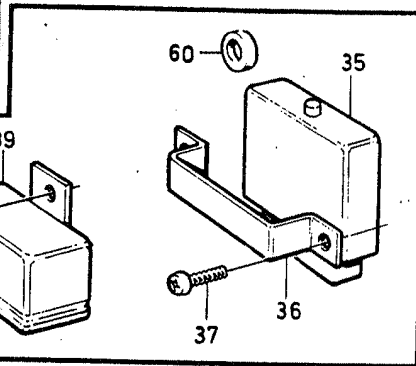
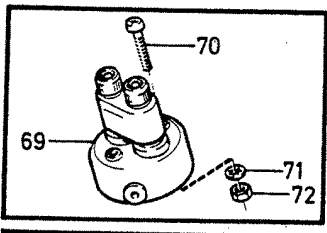
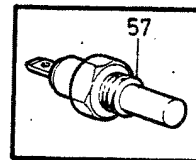
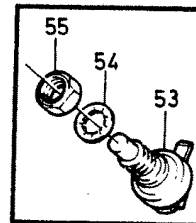
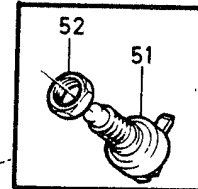
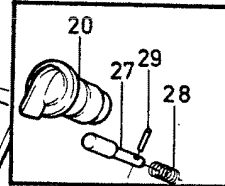
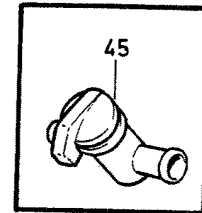
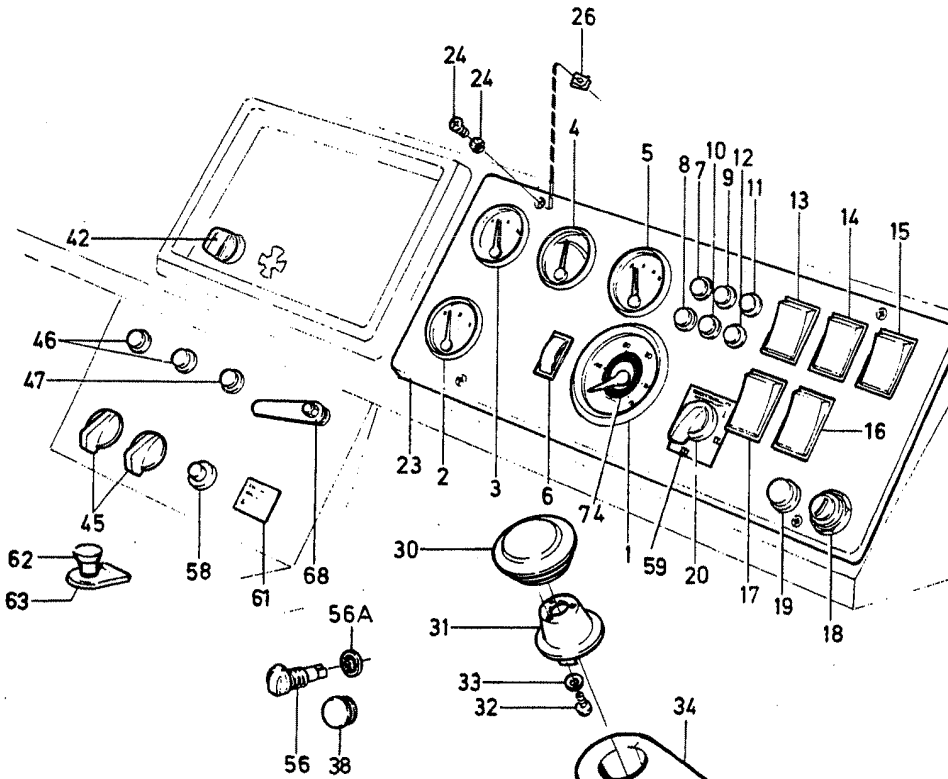
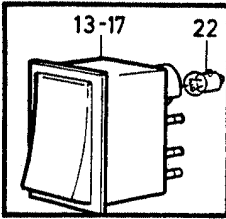
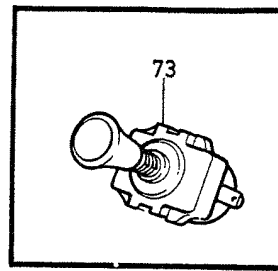
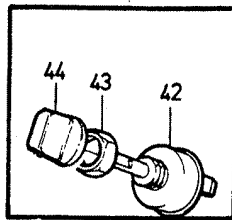
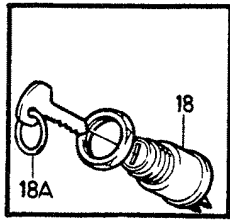
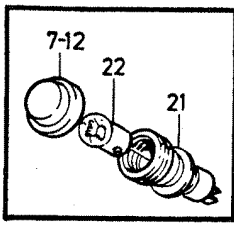


VOLVO PARTS  
2 030 21764  
(10:1)



A	B	C	D	E	INSTRUMENTUTRUSTNING OCH KONTROLLORGAN					INSTRUMENTATION AND CONTROLS			Grupp Group
					R.H.D					36			
										Sida Page	219		
Pos	Artikel nr Part No.	Antal /Quantity					P S	Benämning	Description	Anmärkning Notes	S R		
		A	B	C	D	E							
1		1	-	-	-	-	Hastighetsmätare .....	Speedometer .....	SEE 38-239				
2		1	-	-	-	-	Bränslemätare .....	Fuel gauge .....	SEE 38-239				
3		1	-	-	-	-	Amperemeter .....	Ammeter .....	SEE 38-239				
4		1	-	-	-	-	Termometer .....	Thermometer .....	SEE 38-239				
5		1	-	-	-	-	Oljetrycksmätare .....	Oilpressure gauge .....	SEE 38-239				
6	643952-5	1	-	-	-	-	Strömställare .....	Switch .....		2			
7	642546-6	1	-	-	-	-	instrumentbelysning	instrument lighting					
8	355775-8	1	-	-	-	-	Lins .....	Lens .....		4			
9	355776-6	1	-	-	-	-	Lins .....	Lens .....		4			
10	355775-8	1	-	-	-	-	Blinkers	Flasher lamp		4			
11	1501614-0	1	-	-	-	-	Lins .....	Lens .....		4			
12	355779-0	1	-	-	-	-	Lins .....	Lens .....		4			
13	1578765-8	1	-	-	-	-	Strömställare	Switch	12V (1560490)	2			
14	1578785-6	1	-	-	-	-	• Strömställare .....	• Switch .....	12V (643370)	2			
15	1578785-6	1	-	-	-	-	• Strömställare .....	• Switch .....	12V (643370)	2			
16	1578799-7	1	-	-	-	-	• Strömställare .....	• Switch .....	12V (1578703)(1504855)	2			
17	1591329-6	1	-	-	-	-	• Strömställare .....	• Switch .....	12V (1578701)(1504851)	2			
☆ 18	238762-9	1	-	-	-	-	Startlås .....	Starter switch .....	SPCL S-3758,(1567178)	2			
	241315-1	1	-	-	-	-	Startlås .....	Starter switch .....	SPCL S-3652,3653	2			
	241315-1	1	-	-	-	-	Startlås .....	Starter switch .....	1) CH-4538,(870685)	2			
	684048-2	1	-	-	-	-	Rattlås .....	Column lock .....	1) CH 4539-	2			
18a	88495-7	1	-	-	-	-	Nyckelring .....	Key ring .....		4			
19	240533-0	1	-	-	-	-	Tryckknapp .....	Push button .....		4			
20	638432-5	1	-	-	-	-	Ljusomkopplare .....	Light switch .....		3			
21	355777-4	8	-	-	-	-	Mörkläggningslykta	Blackout lamp		3			
22	182055-4	9	-	-	-	-	Lamp hållare .....	Bulb socket .....		1			
23	1565865-1	1	-	-	-	-	Glödlampa .....	Bulb .....	BA9S 12V 2W	5			
24	950255-0	4	-	-	-	-	Instrumentplåt .....	Instrument plate .....	(1560465)(1560464)	2			
25	18894-6	4	-	-	-	-	Skruv .....	Screw .....	LG 38	2			
26	941975-5	4	-	-	-	-	Låsbricka .....	Lock washer .....		2			
27	1562230-1	1	-	-	-	-	Fjädermutter .....	Spring nut .....		2			
28	639770-7	1	-	-	-	-	Knapp .....	Button .....	(640899)	4			
29	907824-7	1	-	-	-	-	Fjäder .....	Spring .....		4			
30	1562072-7	1	-	-	-	-	Saxpinne .....	Split pin .....		2			
31	640513-8	1	-	-	-	-	Signalknapp .....	Horn button .....	(631020)	3			
32	950003-4	3	-	-	-	-	Manöverring .....	Control ring .....		3			
33	940121-7	3	-	-	-	-	Skruv .....	Screw .....	LG 9,5	2			
34	1567228-0	3	-	-	-	-	Låsbricka .....	Lock washer .....		2			
35	1582412-1	1	-	-	-	-	Körvisaromkopplare .....	Direction ind. switch .....	(640547)	1			
36	644054-9	1	-	-	-	-	Blinkdon .....	Flasher unit .....	12V (1501687)	2			
37	955126-8	2	-	-	-	-	Klamma .....	Clamp .....		4			
38	680036-1	2	-	-	-	-	Skruv .....	Screw .....		2			
39	1307991-8	2	-	-	-	-	Plugg .....	Plug .....	SPCL S-3652	3			
	1573966-7	1	-	-	-	-	Stegrelä .....	Step relay .....	12V (688355)	1			
	1504952-1	1	-	-	-	-	Ljusrelä .....	Light relay .....	1) SPCL S-3652, R.H.D	2			
☆ 40	969473-8	2	-	-	-	-	Relä .....	Relay .....	12V	1			
41	1504952-1	4	-	-	-	-	Skruv .....	Screw .....	LG 9,5.(955137)	2			
	1504952-1	2	-	-	-	-	Relä .....	Relay .....	12V	1			
	1504952-1	2	-	-	-	-	Relä .....	Relay .....		1			
42	644141-4	1	-	-	-	-	Strömställare .....	Switch .....		2			
43	654442-3	1	-	-	-	-	Värmereglage	Heater control		3			
44	1504582-6	1	-	-	-	-	Mutter .....	Nut .....		3			
45		2	-	-	-	-	Knopp .....	Knob .....		3			
							Vakuumreglage	Vacuum control					
							Differentialspär	Differential lock	SEE 46-329				

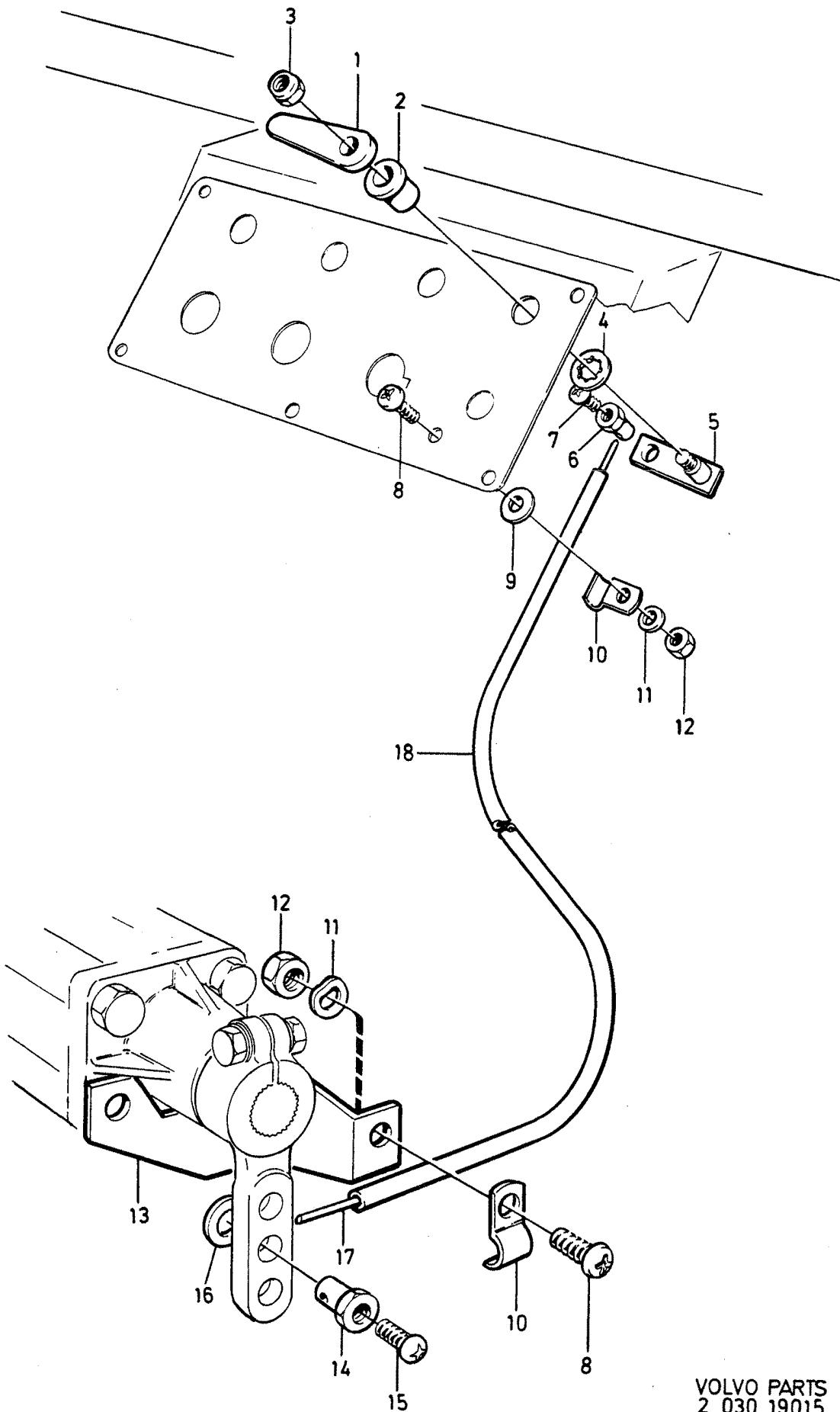
1) Civil. / For civilian use.



VOLVO PARTS  
2 030 21764  
(10:1)

A	B	C	D	E	INSTRUMENTUTRUSTNING OCH INSTRUMENTATION AND CONTROLS		Grupp Group			
					KONTROLLORGAN		36			
					R.H.D		Sida Page			
							221			
Pos	Artikel nr Part No.	Antal /Quantity					P S	Benämning Description	Anmärkning Notes	S R
		A	B	C	D	E				
46	1566227-3	1	-	-	-	-	• Instruktionsskylt .....	• Instruction plate .....	1) (1563823)	3
	642541-7	2	-	-	-	-	Lins .....	Lens .....	CH-1175	3
	1561793-9	2	-	-	-	-	Lins .....	Lens .....	CH 1176-	3
47	638134-7	1	-	-	-	-	Kontrollampa .....	Control lamp .....	CH-1175	4
							framhjulsdriфт .....	front wheel drive .....		
	1561793-9	1	-	-	-	-	Lins .....	Lens .....	CH 1176-	3
							framhjulsdriфт .....	front wheel drive .....		
48	1500609-1	1	-	-	-	-	Kontakt .....	Contact .....		2
49	940143-1	1	-	-	-	-	Låsbricka .....	Lock washer .....		2
50	942914-3	1	-	-	-	-	Mutter .....	Nut .....		2
51	679364-0	1	-	-	-	-	Kontakt .....	Contact .....		1
52	942914-3	1	-	-	-	-	Mutter .....	Nut .....		2
53	672995-8	1	-	-	-	-	Kontakt .....	Contact .....		2
54	940143-1	1	-	-	-	-	Låsbricka .....	Lock washer .....		2
55	942914-3	1	-	-	-	-	Mutter .....	Nut .....		2
56	337661-3	2	-	-	-	-	Eluttag .....	Power outlet .....		4
56a	955954-3	2	-	-	-	-	Låsbricka .....	Lock washer .....		2
57	824552-4	1	-	-	-	-	Temperaturgivare .....	Temperature sensor .....		2
							vatten .....	water .....		
58	1561208-8	1	-	-	-	-	Strömställare .....	Switch .....		2
							framhjulsdriфт .....	front wheel drive .....		
59	1560935-7	1	-	-	-	-	Instruktionsskylt .....	Instruction plate .....		2
	1563887	1	-	-	-	NS	Instruktionsskylt .....	Instruction plate .....	SPCL S-3705	
60	941267-7	1	-	-	-	-	Plugg .....	Plug .....	(941263)	2
61	1561551-1	1	-	-	-	-	Varningsskylt .....	Warning plate .....		3
62		1	-	-	-	-	Chokeregglage .....	Choke control .....	SEE 27-131	
63	304172	1	-	-	-	NS	Skylt .....	Sign .....		
64	1561796-2	1	-	-	-	-	Bromsljuskontakt .....	Brake light switch .....		2
65	1606877-7	1	-	-	-	-	Oljetrycksgivare .....	Oil pressure sensor .....	(1324750)(1266085)	2
66	1563582-4	2	-	-	-	-	Vakuumpkontakt .....	Vacuum switch .....	(641144)	3
							Differentialspär .....	Differential lock .....		
67	381044-7	1	-	-	-	-	Backljuskontakt .....	Reverse light contact .....		2
68		-	-	-	-	-	Växellägesindikator .....	Gear position indicator .....	SEE 36-223	
69	1561309-4	1	-	-	-	-	Kontakt .....	Contact .....		3
70	956053-3	2	-	-	-	-	Skruv .....	Screw .....		2
71	955944-4	2	-	-	-	-	Bricka .....	Washer .....		2
72	955778-6	2	-	-	-	-	Mutter .....	Nut .....		2
73		-	-	-	-	-	Strömställare .....	Switch .....		
		-	-	-	-	-	• Arbetslampa .....	• Work lamp .....	SEE 36-213	
		-	-	-	-	-	• Roterande ljus .....	• Rotating light .....	SEE 36-213	
74	1561550-3	1	-	-	-	-	Dekal .....	Decal .....	SPCL S-3758	4





VOLVO PARTS  
2 030 19015

A							INDIKERING AV FÖRDELNINGS-		INDICATION OF TRANSFER GEAR		Grupp
							VÄXELLÄGE		POSITION		Group
											36
											Sida
											Page
B									223		
C											
D											
E											
Pos	Artikel nr Part No.	Antal /Quantity					P S	Benämning	Description	Anmärkning Notes	S R
		A	B	C	D	E					
1	1561993-5	1	-	-	-	-	Visare .....	Indicator .....		3	
2	1561995-0	1	-	-	-	-	Bussning .....	Bushing .....		3	
3	963103-7	1	-	-	-	-	Låsmutter .....	Lock nut .....		2	
4	945718-5	1	-	-	-	-	Hållare .....	Retaining clip .....		2	
5	1561992-7	1	-	-	-	-	Medbringare .....	Companion flange .....		3	
6	418561-7	1	-	-	-	-	Trådållare .....	Wire retainer .....		2	
7	950003-4	1	-	-	-	-	Skruv .....	Screw .....		2	
8	956076-4	2	-	-	-	-	Skruv .....	Screw .....		2	
9	1561994-3	1	-	-	-	-	Distansbricka .....	Spacer washer .....		3	
10	18335-0	2	-	-	-	-	Klamma .....	Clamp .....		2	
11	941905-2	2	-	-	-	-	Fjäderbricka .....	Spring washer .....		2	
12	955780-2	2	-	-	-	-	Mutter .....	Nut .....		2	
13	1561997-6	1	-	-	-	-	Fästplåt .....	Attaching plate .....		3	
14	1561996-8	1	-	-	-	-	Trådållare .....	Wire retainer .....		3	
15	956079-8	1	-	-	-	-	Skruv .....	Screw .....		2	
16	955894-1	1	-	-	-	-	Bricka .....	Washer .....		2	
17	1566540-9	X	-	-	-	-	Wire .....	Cable .....	LG 2250 (55192)	3	
18	88783-6	X	-	-	-	-	Hölje .....	Outer casing .....	LG 2100	2	